

! SAFETY INFORMATION

Please read and understand this entire manual before attempting to assemble, install or operate the product.

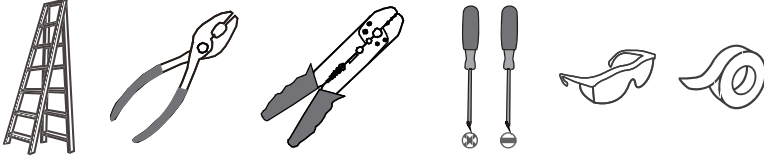
WARNING

- RISK OF ELECTRIC SHOCK - Before beginning installation, turn off electricity at the circuit breaker box or the main fuse box.
- RISK OF FIRE - Use bulbs specified by the markings and/or labels on the fixture.

CAUTION

- For your safety, read instructions completely before beginning installation.
- If in doubt about electrical installation, consult a licensed electrician.
- Turn off electricity to fixture before replacing the bulb(s).

TOOLS REQUIRED

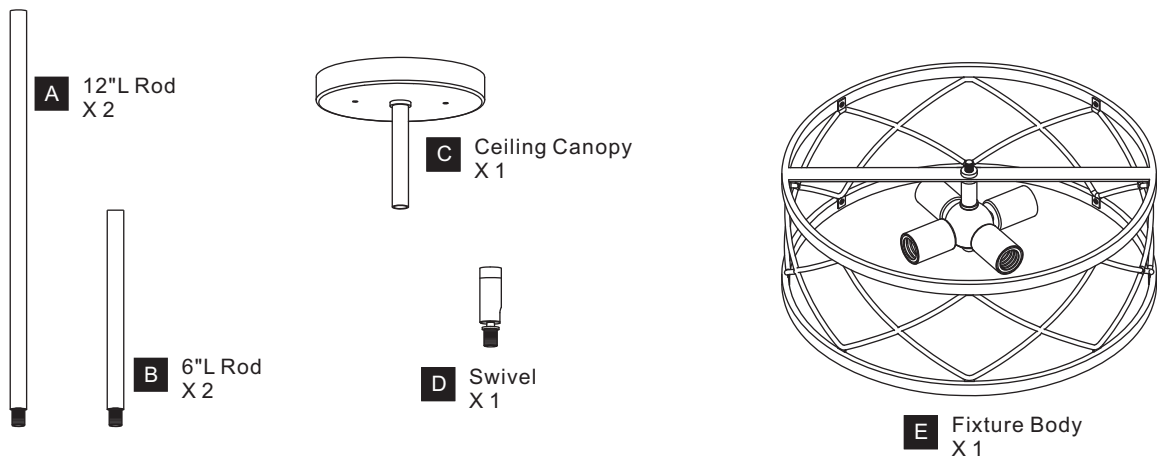


CARE AND MAINTENANCE

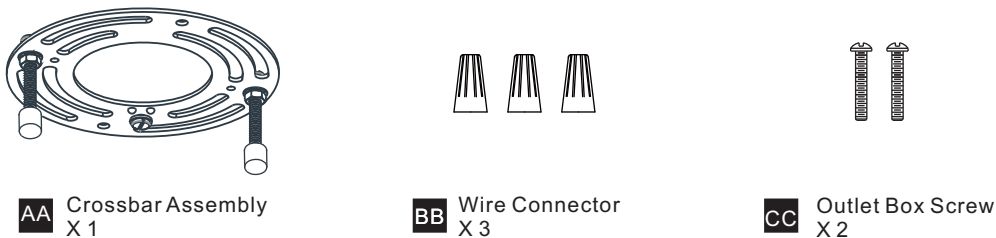
- Wipe clean using soft, dry cloth or static duster. Always avoid using harsh chemicals and abrasives to clean fixture as they may damage the finish.

If you need further assistance call Quoizel Customer Care at 1-800-645-3184(9:00am - 5:00pm EST), or visit us on-line at www.quoizel.com

PACKAGE CONTENTS



MOUNTING HARDWARE

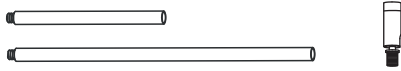


INSTALLATION

IMPORTANT: This CONVERTIBLE fixture can be mounted as pendant light or semi-flush light. **DO NOT CUT SUPPLY WIRES** if you intend to use it as pendant light.

OPTION 1: SEMI-FLUSH SGL1714MBK

* Set aside (2) 6"L Rods, (2) 12"L Rods, Swivel since they are not required for the semi-flush



1 Install Ceiling Canopy to Fixture Body

Detailed description: The diagram shows a circular ceiling canopy with a central hole. A vertical rod is inserted through the hole. The fixture body, which is a spherical cage with a central hub and four arms, is being lowered onto the rod. Arrows indicate the downward direction of movement.

2 Install Crossbar Assembly

Detailed description: The diagram shows the fixture body being inserted into an outlet box. The outlet box is a rectangular metal enclosure with a circular opening. The fixture body is being pushed into the opening. Arrows indicate the direction of movement. The label "Outlet Box" is placed to the right of the box.

3 Wiring

Detailed description: The diagram shows the wiring connections for the fixture. It includes a white wire from the supply connected to the white wire from the fixture, a black (or red) wire from the supply connected to the black wire from the fixture, and a ground wire from the supply connected to the ground wire from the fixture. A green ground screw is also shown. A small inset diagram shows a hand screwing a bulb into the fixture.



4 Install Ceiling Canopy

Detailed description: The diagram shows the ceiling canopy being installed onto the fixture body. The canopy is being pushed onto the central rod. Arrows indicate the direction of movement.

5 Install Bulbs

Install four correct bulbs referring to fixture markings and/or labels for maximum wattage.

Recommended Bulb Type (not included):

 BULB BASE TYPE Medium (E26)	 100W MAX BULB TYPE TYPE A
---	---

Detailed description: The diagram shows the fixture body with four arms. Each arm has a bulb socket. Arrows indicate the direction of movement for each bulb as it is being inserted into its socket.

INSTALLATION

IMPORTANT: This CONVERTIBLE fixture can be mounted as pendant light or semi-flush light. **DO NOT CUT SUPPLY WIRES** if you intend to use it as pendant light.

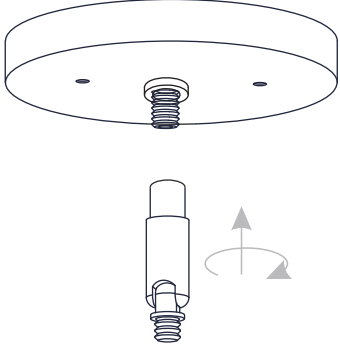
OPTION 2: PENDANT QP5632MBK

1 Remove Candle Cover

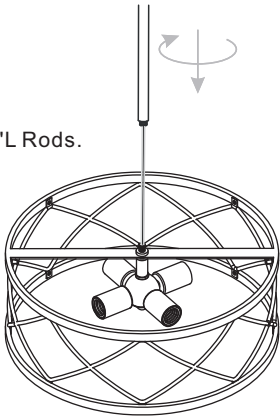


*Candle cover since they are not required for the semi-flush installation.

2 Install Ceiling Canopy



3 Install Socket Assembly to Rods

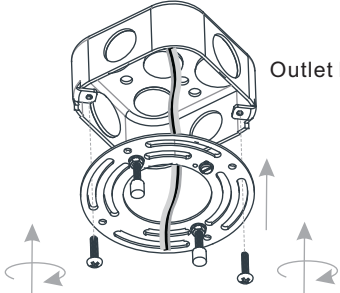


Optional Rods:
8 Feet Ceiling:
(2) 12"L Rods.
9 Feet Ceiling:
(2) 6"L Rods + (2) 12"L Rods.

4 Install Ceiling Canopy A to Upper Rod

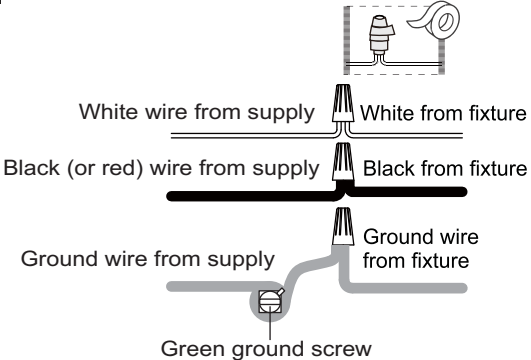


5 Install Crossbar Assembly



Outlet Box

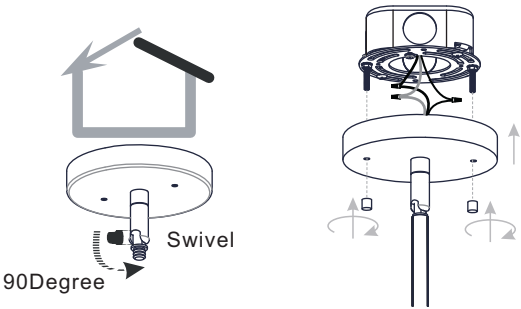
6 Wiring



White wire from supply White from fixture
Black (or red) wire from supply Black from fixture
Ground wire from supply Ground wire from fixture
Green ground screw

INSTALLATION

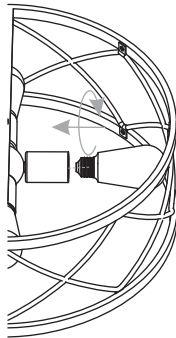
7 Install Ceiling Canopy A to Crossbar Assembly





90Degree Swivel

For angled ceilings,
Swivel opening towards wall.

8 Install Bulbs



Install four correct bulbs referring to fixture markings and/or labels for maximum wattage.
Recommended Bulb Type (not included):

 BULB BASE TYPE Medium (E26)	 BULB TYPE TYPE A
---	--

Your installation is now complete! Restore electricity and save this sheet for future reference.