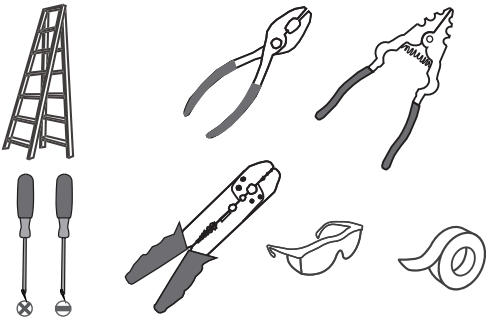
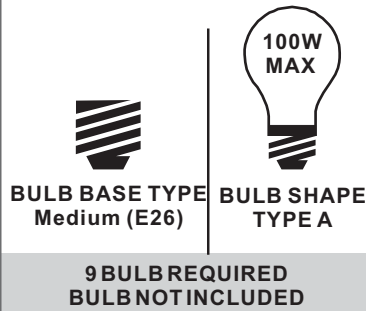


**Tools Required**



**Light Source**



**Fixture Height Adjustable  
36" to 132"**

**Warnings and Cautions**

Turn off the electricity at the circuit breaker before installation. Consult a licensed electrician if in doubt about installation.

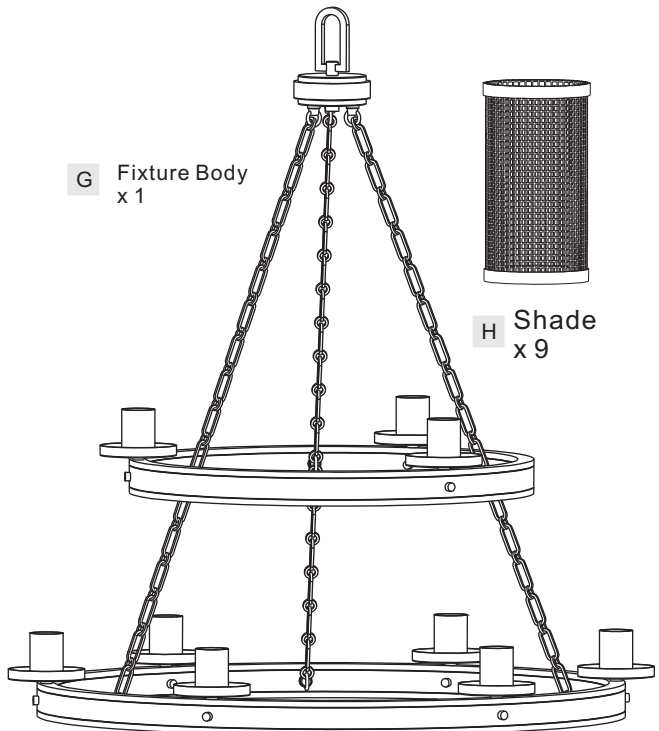
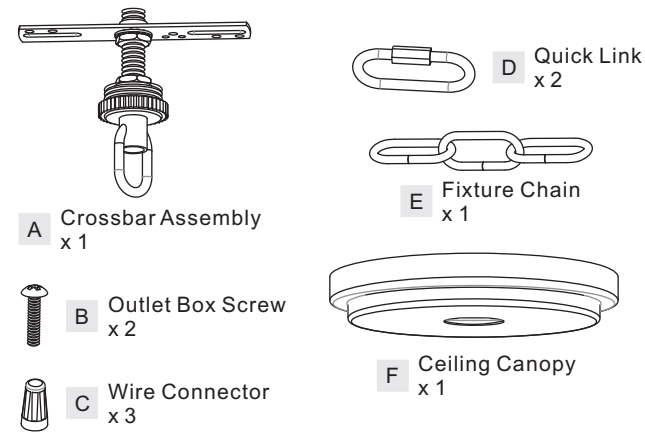
Turn off power to the fixture and allow the bulbs to cool before replacing.

**Package Contents**

**Preparation:** Identify and inspect all parts before beginning the installation.

Missing or damaged parts? Contact your original place of purchase.

**PARTS BAG**



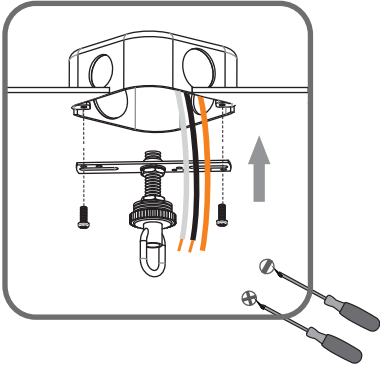
**Table of Contents**

Crossbar Assembly	Fixture Chain	Wiring	Ceiling Canopy	Bulb
<b>STEP 1</b>	<b>STEP 2</b>	<b>STEP 3</b>	<b>STEP 4</b>	<b>STEP 5</b>

## STEP 1

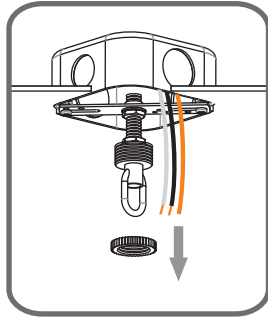
1

Step 1  
Install crossbar assembly

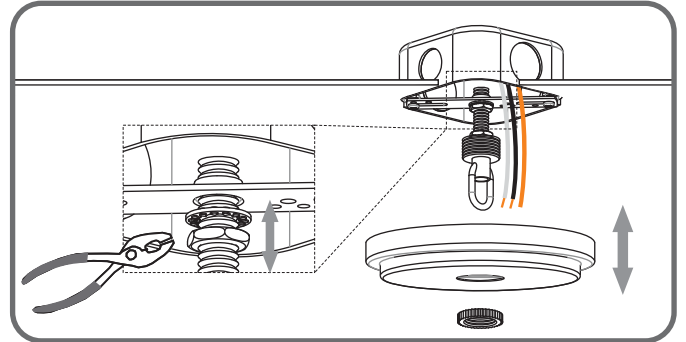


2

Step 2 - 3  
Test fitting ceiling canopy to nipple



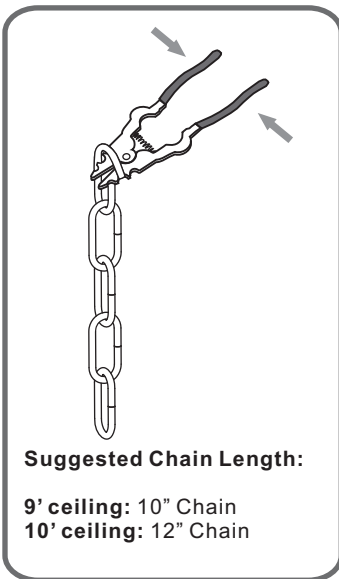
3



## STEP 2

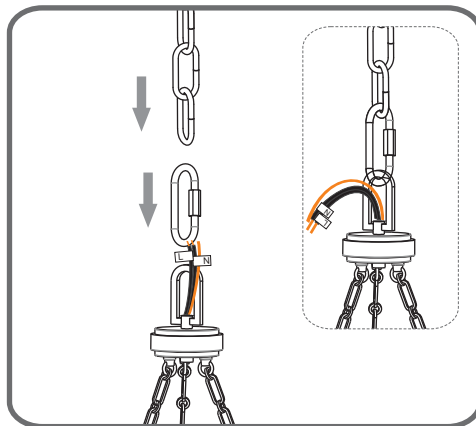
1

Step 1  
Adjust fixture chain length

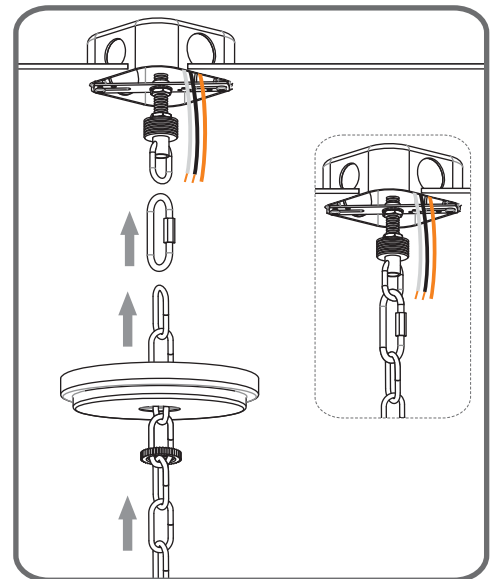


2

Step 2 - 3  
Install Fixture Chain



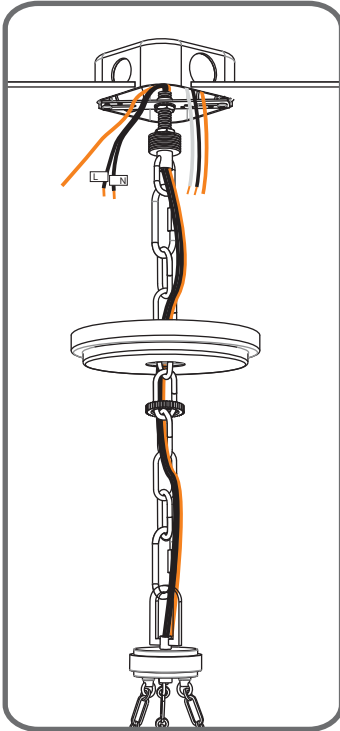
3



### STEP 3

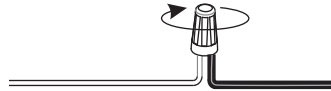
1

**Step 1**  
Feed the fixture wires  
through the loop



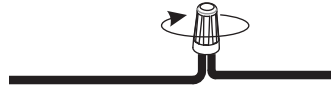
2

White wire (neutral)  
from outlet box



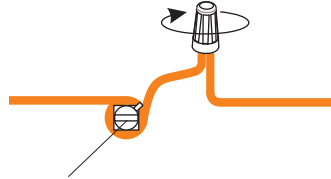
Supply wire from fixture  
ribbed side or identified  
with the Label "N"

Black or Red wire (hot)  
from outlet box



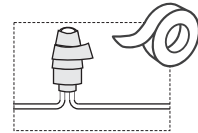
supply wire from fixture  
smooth side or identified  
with the label "L"

Bare or Green ground wire  
from outlet box

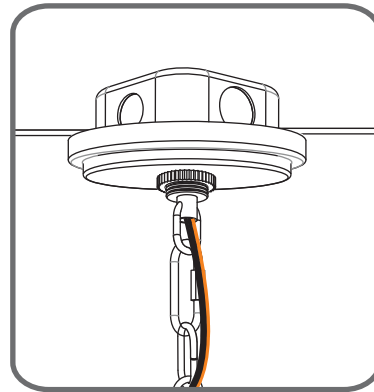
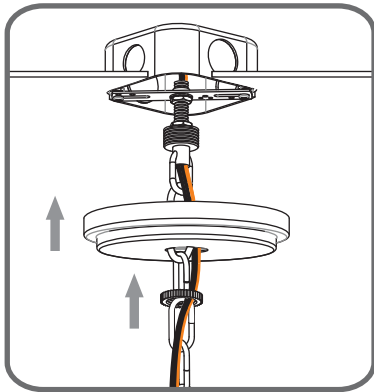


Ground wire  
from Fixture

\*Green Ground Screw  
on crossbar optional



### STEP 4



**STEP 5**

