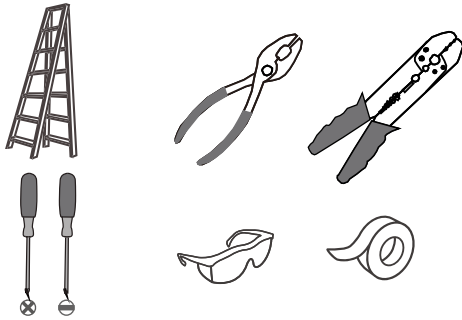
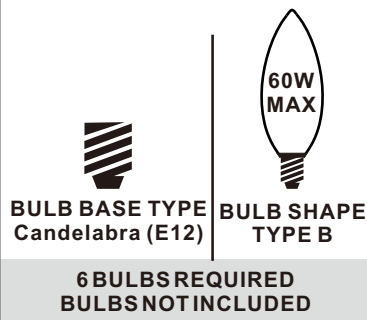


Tools Required



Light Source



**Fixture Height Adjustable
15.5" to 45.75"**

⚠ Warnings and Cautions

Turn off the electricity at the circuit breaker before installation. Consult a licensed electrician if in doubt about installation.

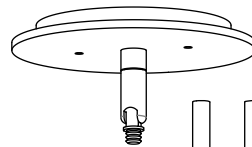
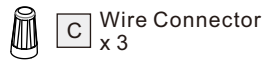
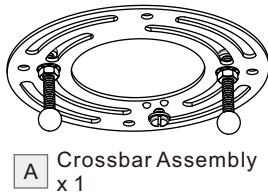
Turn off power to the fixture and allow the bulbs to cool before replacing.

Package Contents

Preparation: Identify and inspect all parts before beginning the installation.

Missing or damaged parts? Contact your original place of purchase.

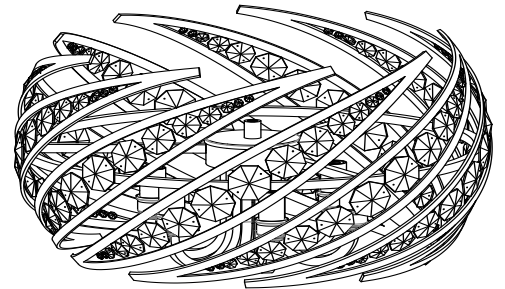
PARTS BAG



D Ceiling Canopy Assembly x 1

E 6" L Rod x 2

F 12" L Rod x 2



G Fixture Body x 1

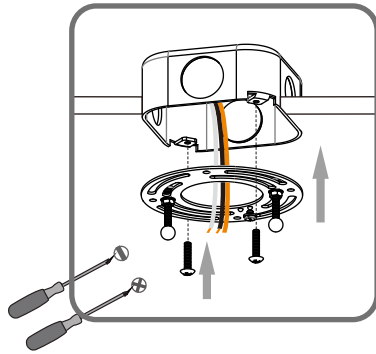
Table of Contents

Crossbar Assembly	Ceiling Canopy Assembly & Downrod	Lanyard	Wiring	Ceiling Canopy	Bulb
STEP 1	STEP 2	STEP 3	STEP 4	STEP 5	STEP 6

STEP 1

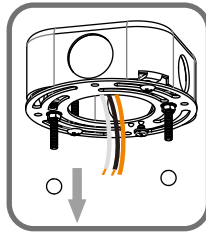
1

Step 1
Install crossbar assembly

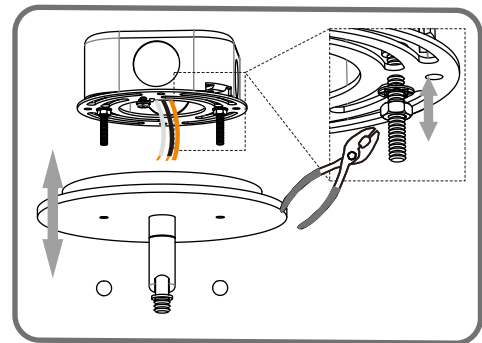


2

Step 2 - 3
Test fitting ceiling canopy to mounting screws



3



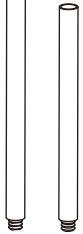
STEP 2

OPTION 1

Pendant — PCCN2824PK

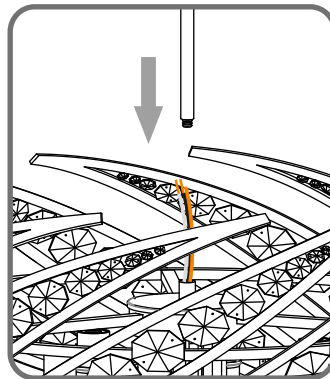
Optional Rods

- 8' ceiling:
(2) 12" L rods
- 9' ceiling:
(2) 6" L + (2) 12" L rods



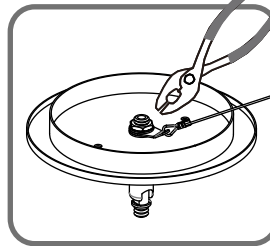
1

Install rods



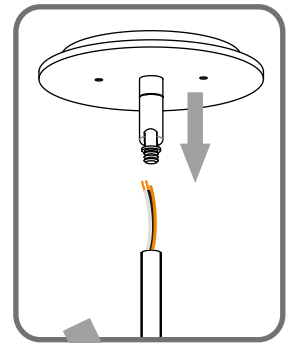
2

Tighten hex nut inside of the ceiling canopy



3

Install Ceiling Canopy

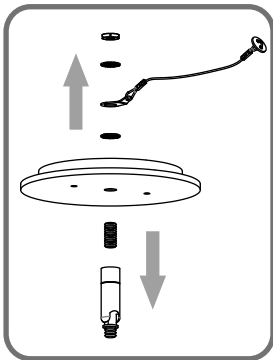


OPTION 2

Semi-flush — PCCN1724PK

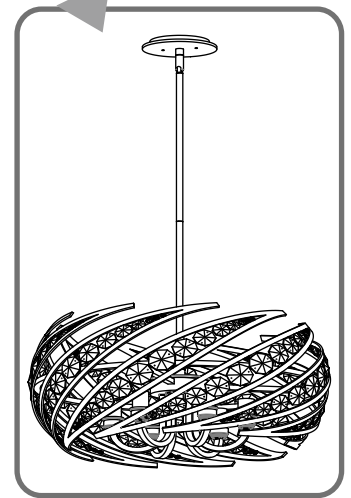
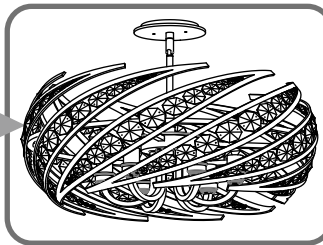
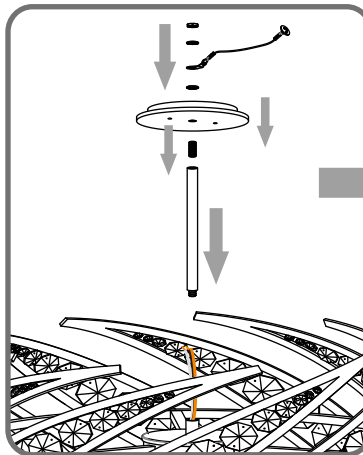
1

Remove swivel

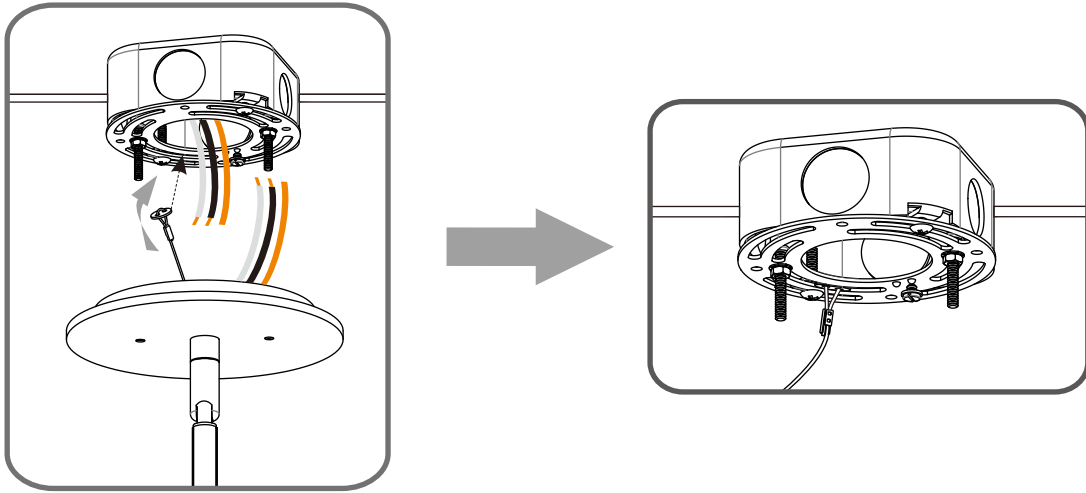


2

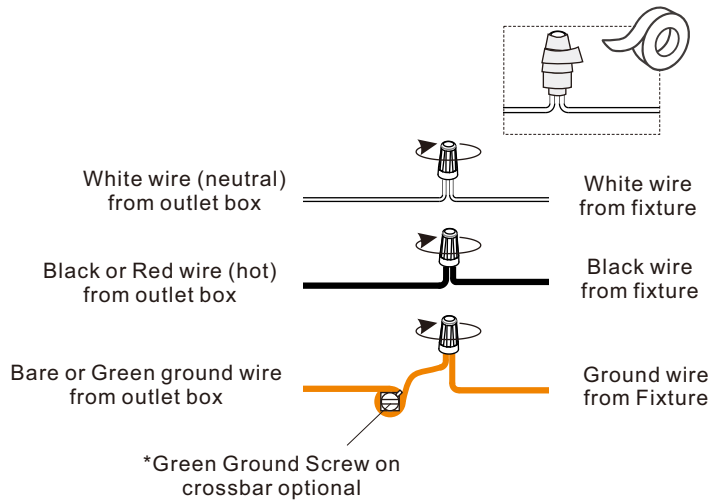
Install (1) 6" L rod and ceiling canopy



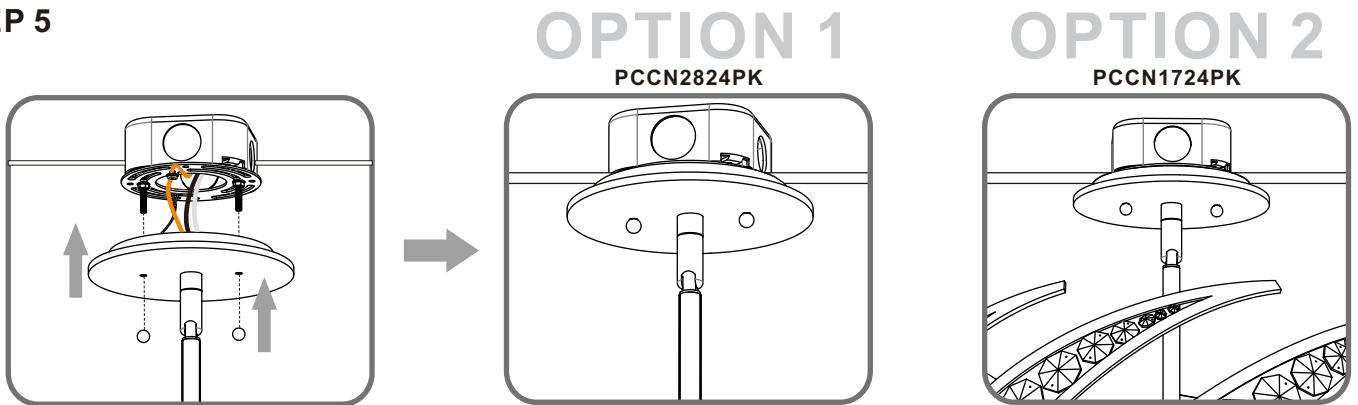
STEP 3



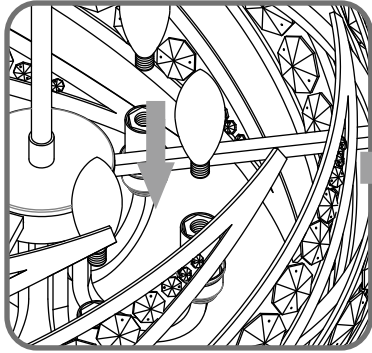
STEP 4



STEP 5

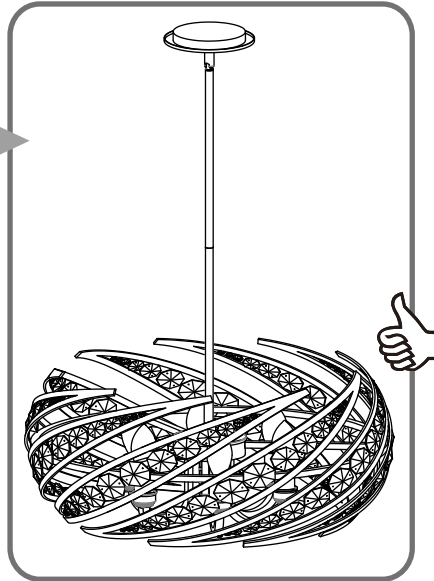


STEP 6



OPTION 1

PCCN2824PK



OPTION 2

PCCN1724PK

