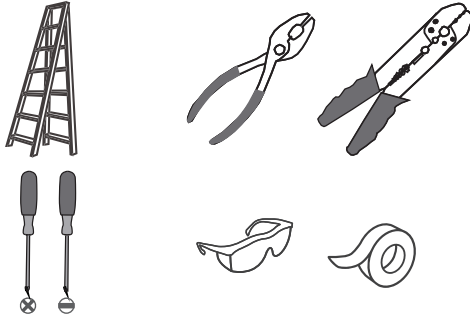


**Tools Required**



**Light Source**

43W  
**LED**

**Fixture Height Adjustable**  
9.75" to 45.75"

**Warnings and Cautions**

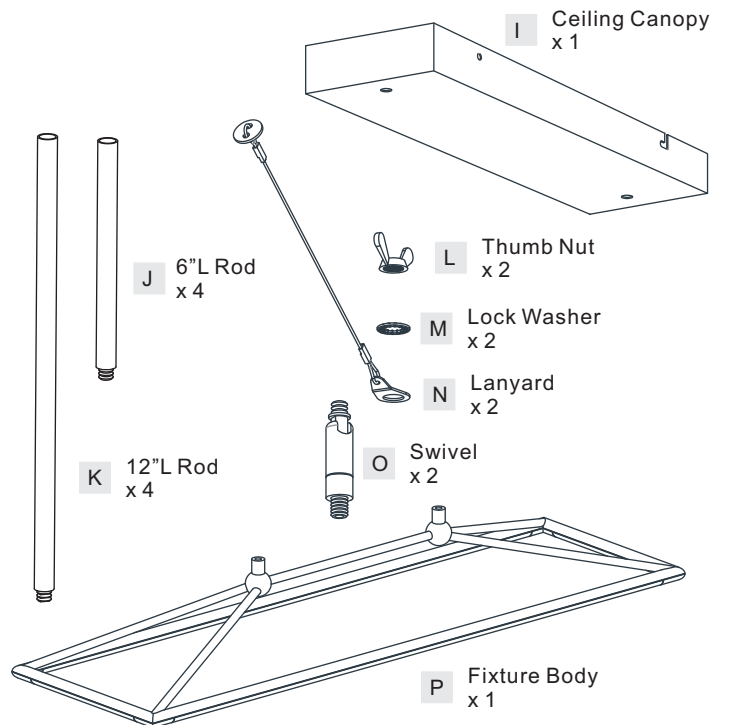
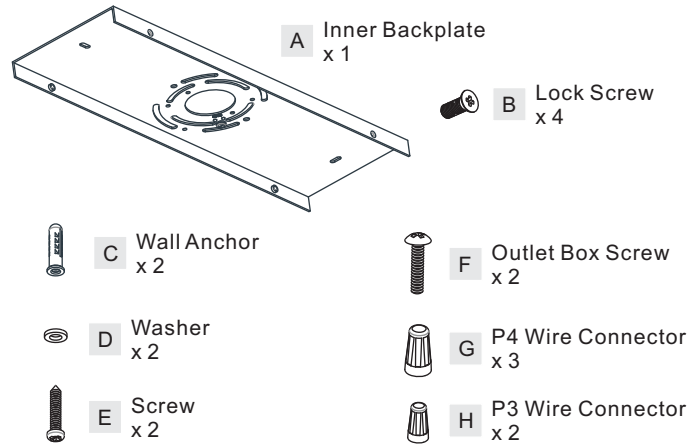
Turn off the electricity at the circuit breaker before installation. Consult a licensed electrician if in doubt about installation.

**Package Contents**

**Preparation:** Identify and inspect all parts before beginning the installation.

Missing or damaged parts? Contact your original place of purchase.

**PARTS BAG**



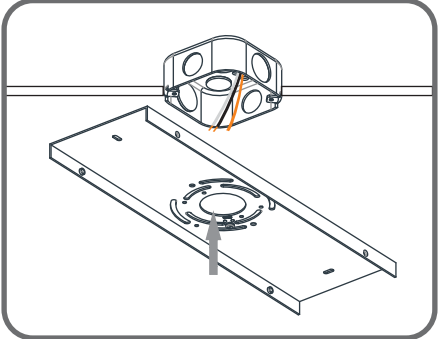
**Table of Contents**

Inner Backplate	Rods to Fixture Body	Ceiling Canopy to upper rods	Wiring to Driver	Lanyard	Wiring to Outlet Box	Ceiling Canopy to Ceiling
<b>STEP 1</b>	<b>STEP 2</b>	<b>STEP 3</b>	<b>STEP 4</b>	<b>STEP 5</b>	<b>STEP 6</b>	<b>STEP 7</b>

**STEP 1**

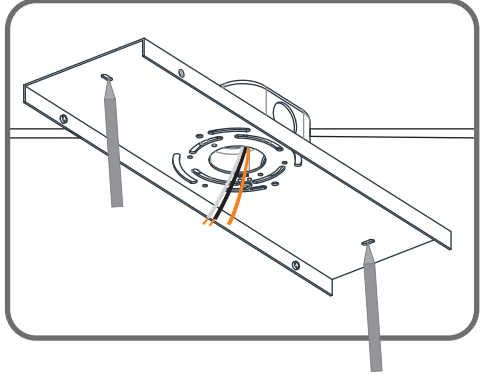
**1**

**Fit inner backplate to outlet box**



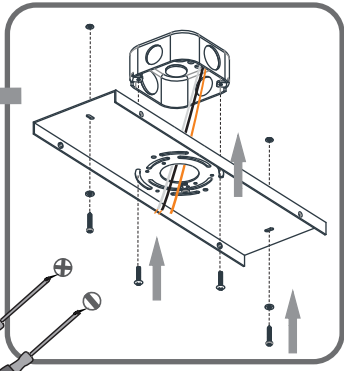
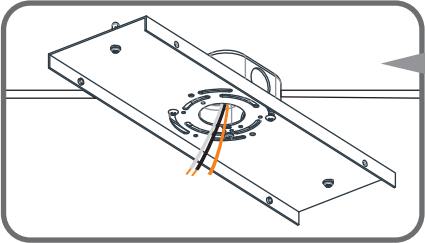
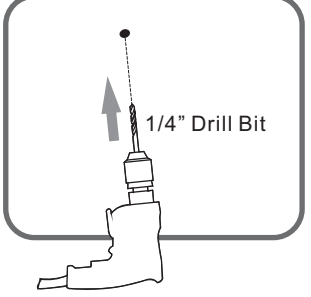
**2**

**Mark anchor holes location on the ceiling**

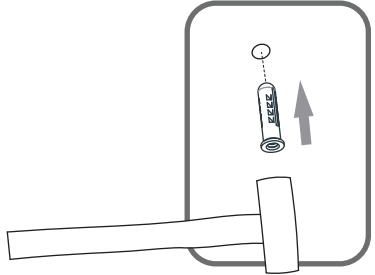


**3**

**Drill holes for anchors from marks**



**Install inner backplate**



**Install wall anchors**

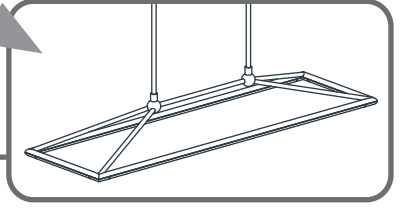
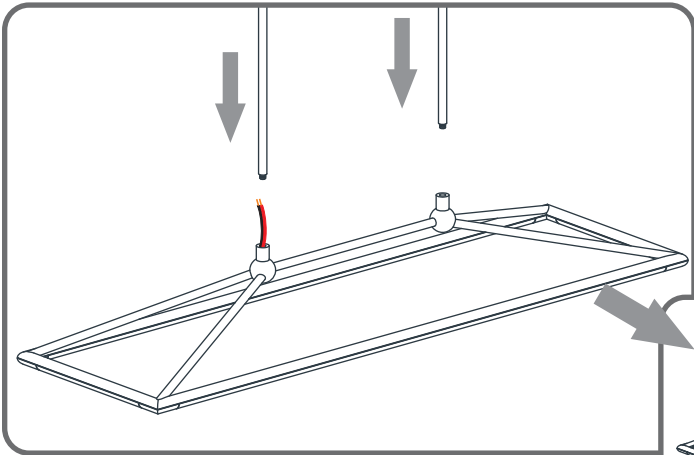
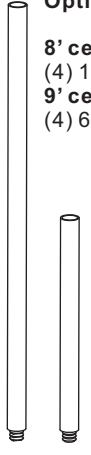
**5**

**4**

**STEP 2**

**Optional Rods**

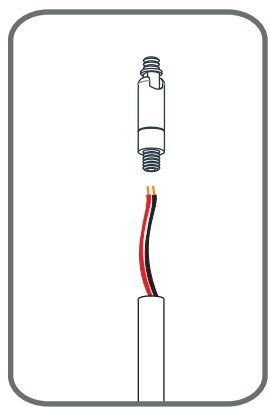
- 8' ceiling:**  
(4) 12"L rods
- 9' ceiling:**  
(4) 6"L + (4) 12"L rods



**STEP 3**

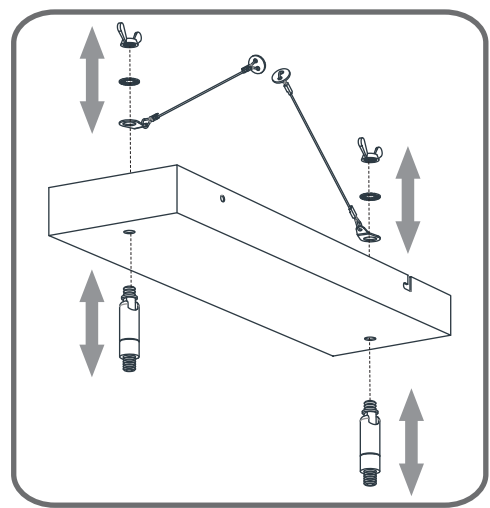
**1**

Install Swivels to upper rods



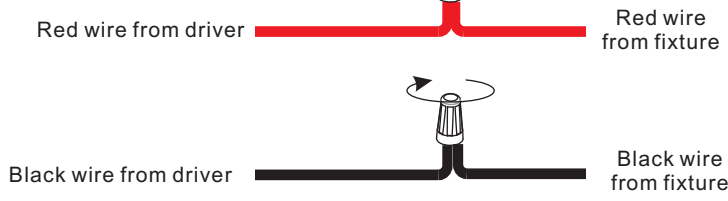
**2**

Install ceiling canopy and lanyards

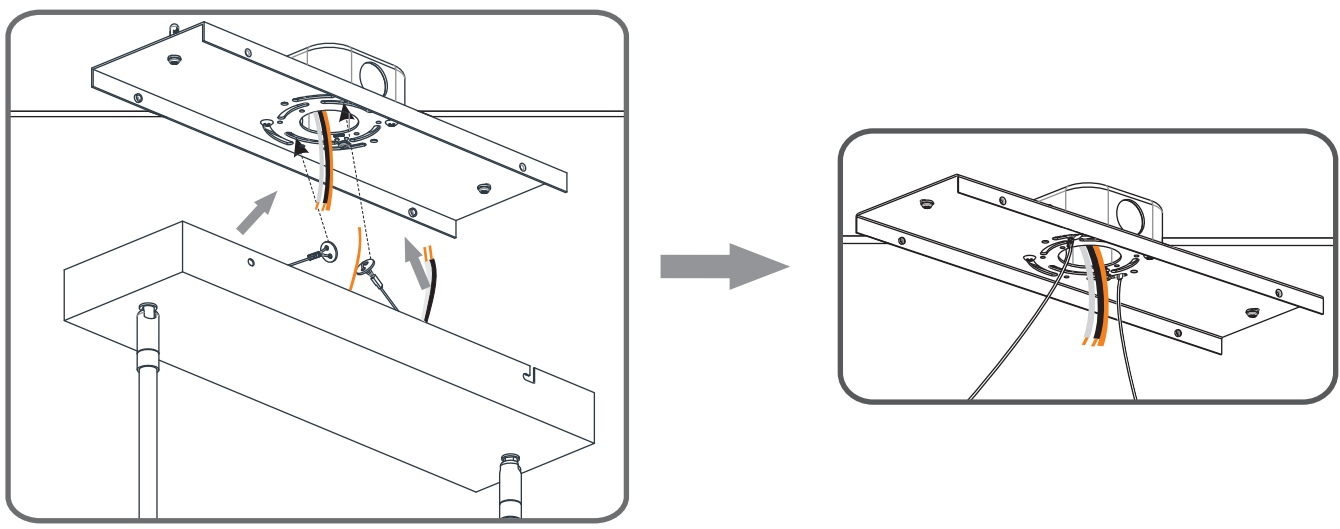


**STEP 4**

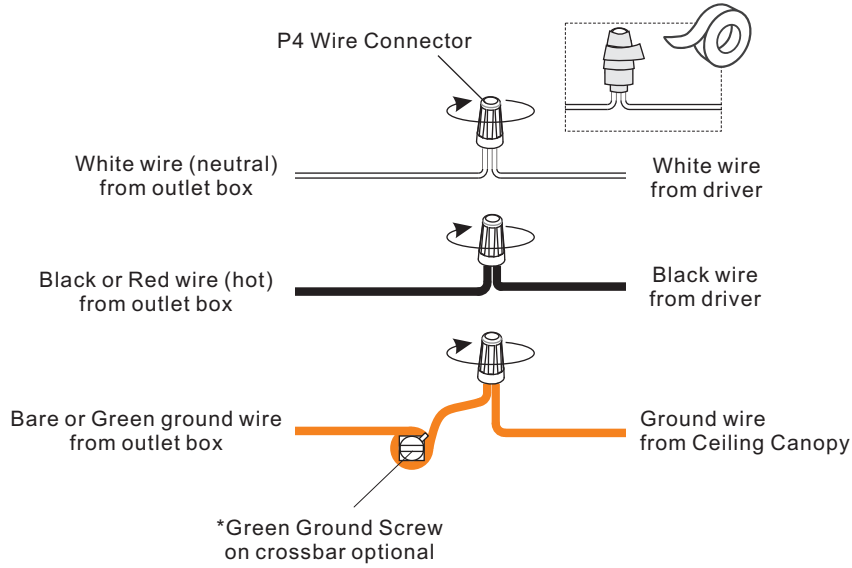
P3 Wire Connector



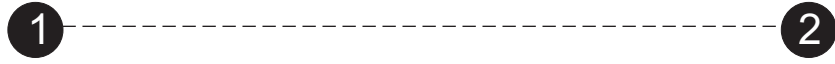
**STEP 5**



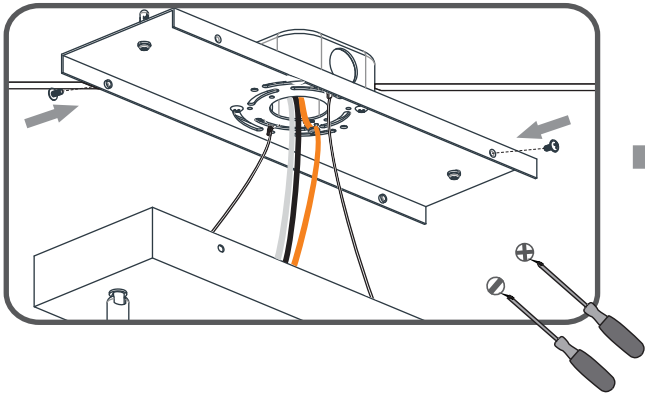
# STEP 6



# STEP 7



**Install (2) lock screws to the inner backplate and leave proper length for ceiling canopy installation**



**1. Hang ceiling canopy on (2) lock screws on the inner backplate**  
**2. Install the rest (2) lock screws**

