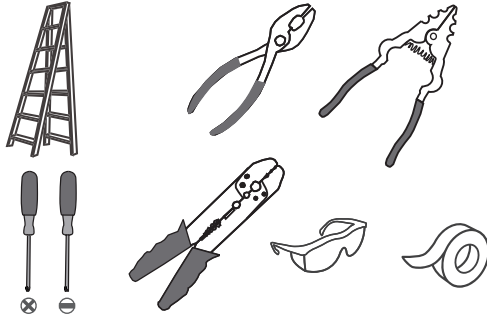
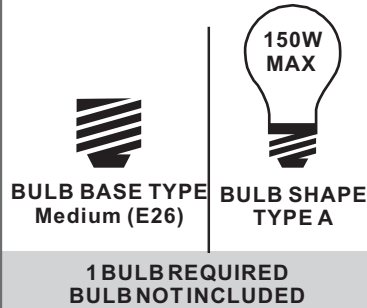


Tools Required



Light Source



**Fixture Height Adjustable
26.75" to 122.75"**

Warnings and Cautions

Turn off the electricity at the circuit breaker before installation. Consult a licensed electrician if in doubt about installation.

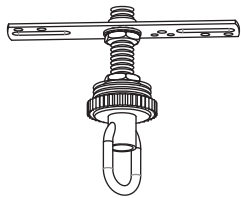
Turn off power to the fixture and allow the bulbs to cool before replacing.

Package Contents

Preparation: Identify and inspect all parts before beginning the installation.

Missing or damaged parts? Contact your original place of purchase.

PARTS BAG



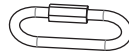
A Crossbar Assembly x 1



B Outlet Box Screw x 2



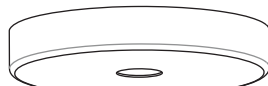
C Wire Connector x 3



D Quick Link x 2



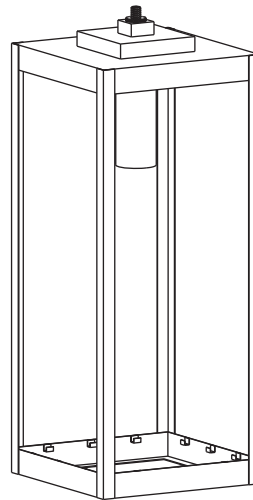
E Fixture Chain x 1



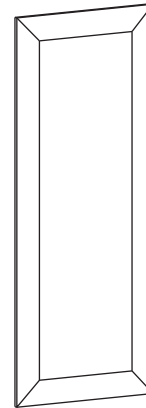
F Ceiling Canopy x 1



G Fixture Loop x 1



H Fixture Body x 1



I Glass Panel x 4

Table of Contents

| Glass Panels & Fixture Loop | Crossbar Assembly | Fixture Chain | Wiring | Ceiling Canopy | Bulb |
|-----------------------------|-------------------|---------------|--------|----------------|--------|
| | | | | | |
| STEP 1 | STEP 2 | STEP 3 | STEP 4 | STEP 5 | STEP 6 |

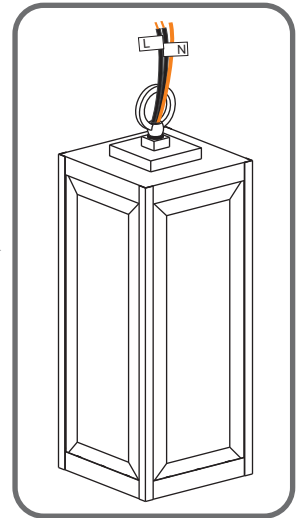
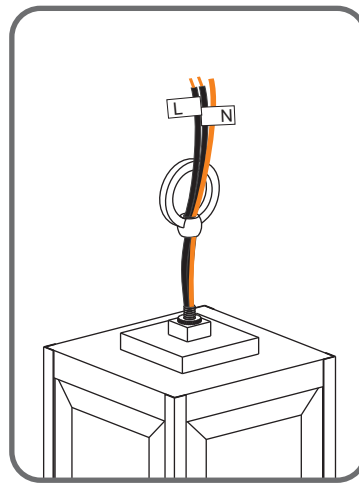
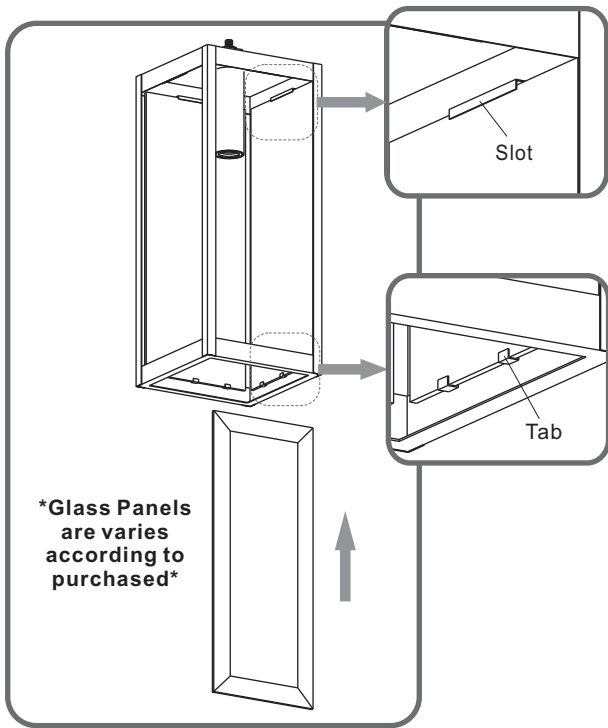
STEP 1

1

Install Glass Panel

2

Install Fixture Loop



STEP 2

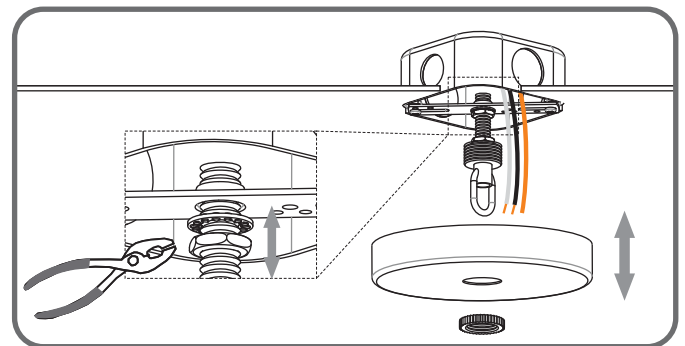
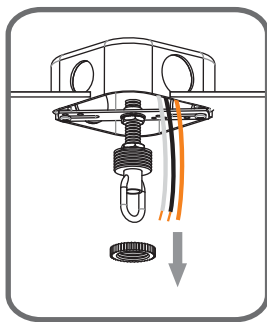
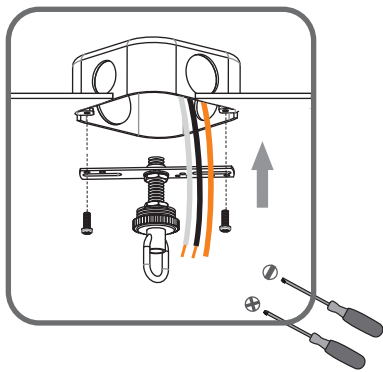
1

Step 1
Install crossbar assembly

2

Step 2 - 3
Test fitting ceiling canopy to nipple

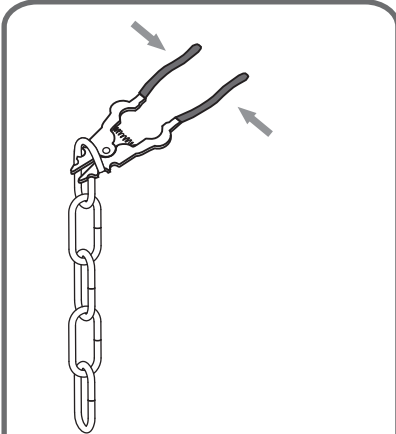
3



STEP 3

1

Step 1
Adjust fixture chain length

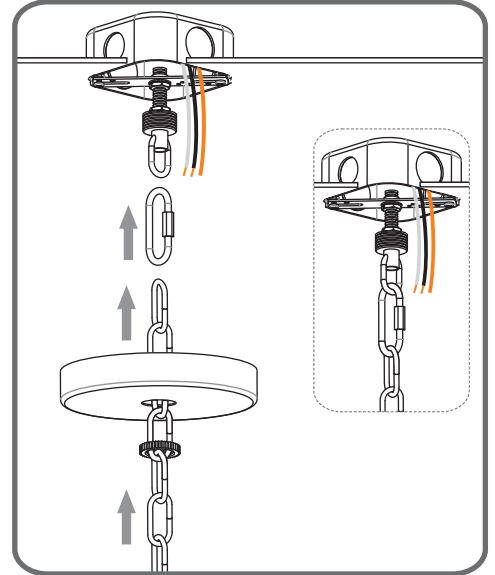
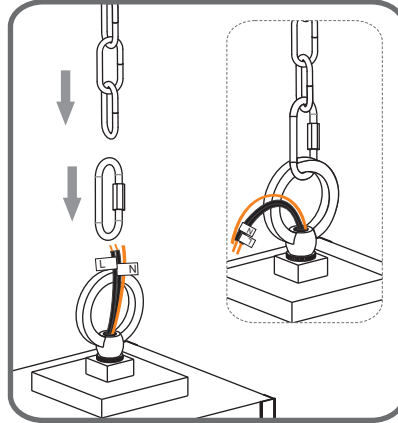


Suggested Chain Length:

- 8' ceiling: 4.25" Chain
- 9' ceiling: 15.25" Chain
- 10' ceiling: 26.25" Chain

2

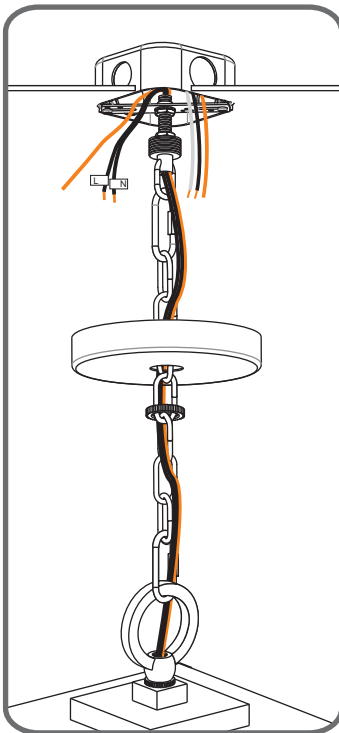
Step 2 - 3
Install Fixture Chain



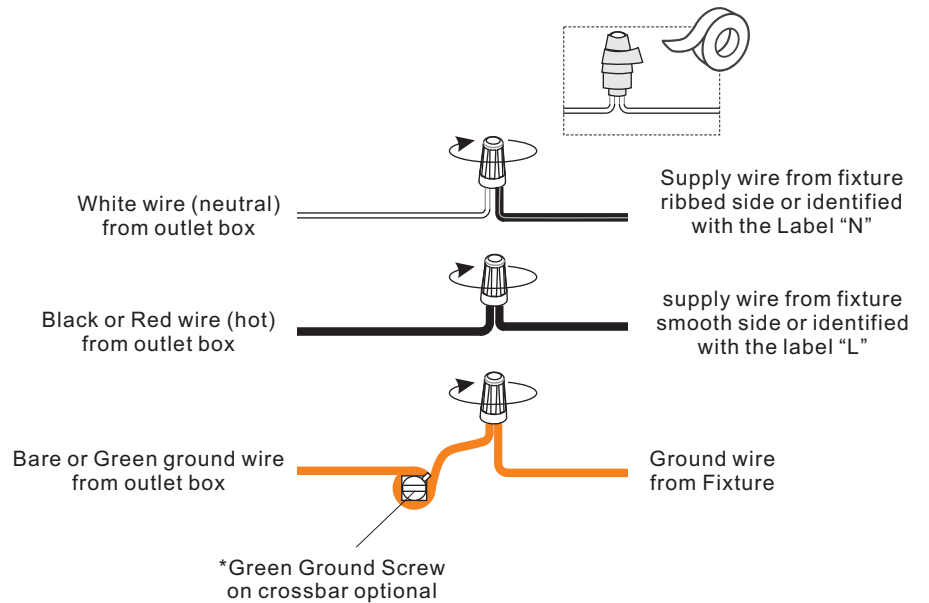
STEP 4

1

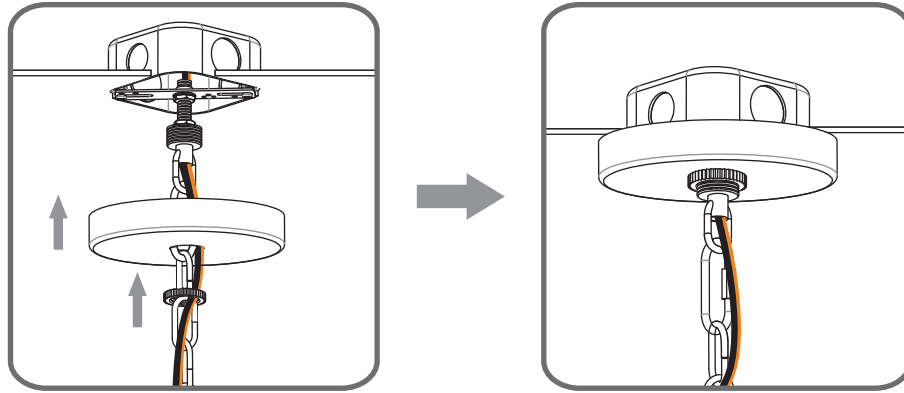
Step 1
Feed the fixture wires
through the loop



2



STEP 5



STEP 6

