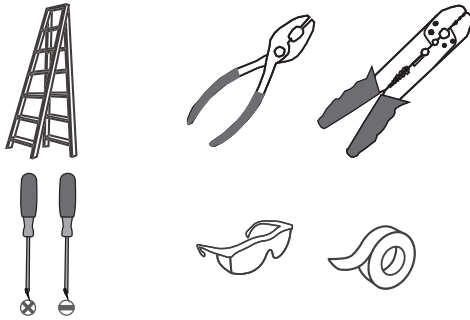
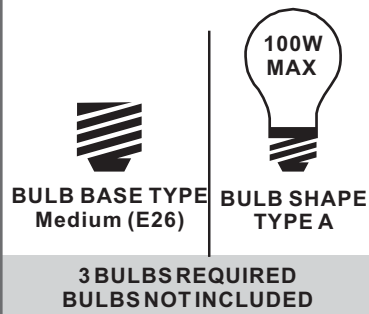


**Tools Required**



**Light Source**



**Fixture Height Adjustable  
21.5" to 57.5"**

**⚠ Warnings and Cautions**

Turn off the electricity at the circuit breaker before installation. Consult a licensed electrician if in doubt about installation.

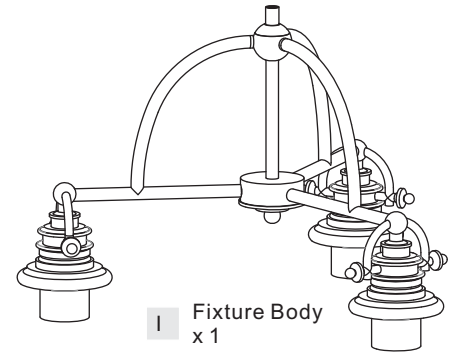
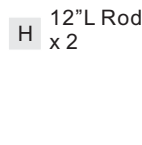
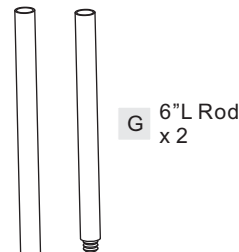
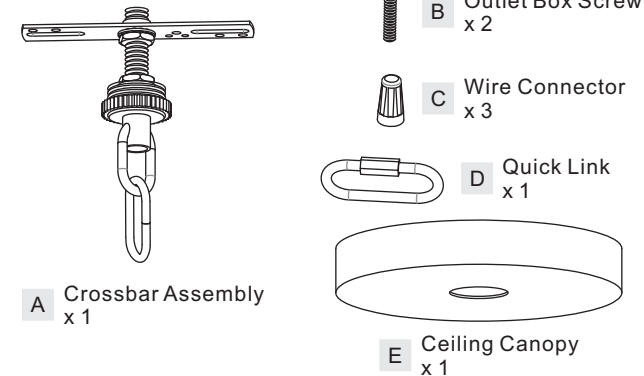
Turn off power to the fixture and allow the bulbs to cool before replacing.

**Package Contents**

**Preparation:** Identify and inspect all parts before beginning the installation.

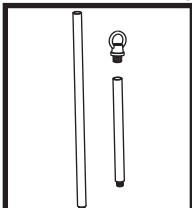
Missing or damaged parts? Contact your original place of purchase.

**PARTS BAG**



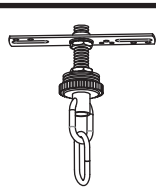
**Table of Contents**

**Rods & Small Loop**



STEP 1

**Crossbar Assembly**



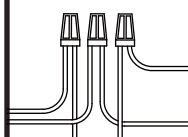
STEP 2

**Quick Link**



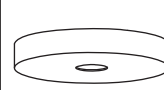
STEP 3

**Wiring**



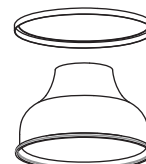
STEP 4

**Ceiling Canopy**



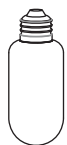
STEP 5

**Ring & Shade**



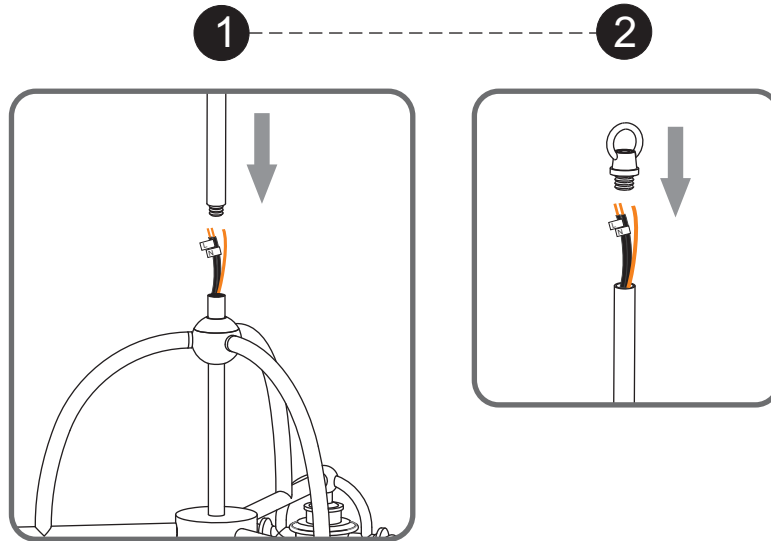
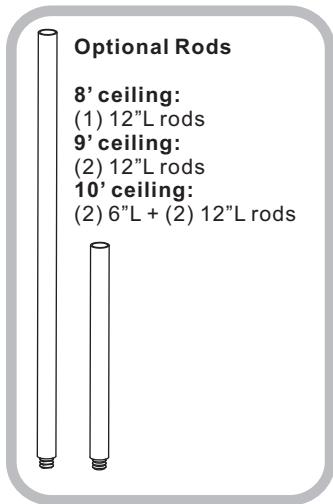
STEP 6

**Bulb**



STEP 7

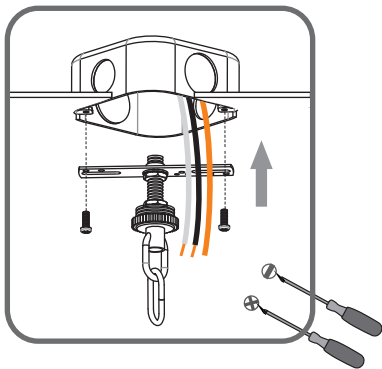
## STEP 1



## STEP 2

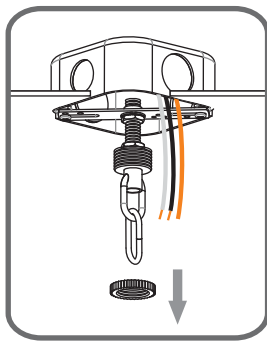
1

**Step 1**  
**Install crossbar assembly**

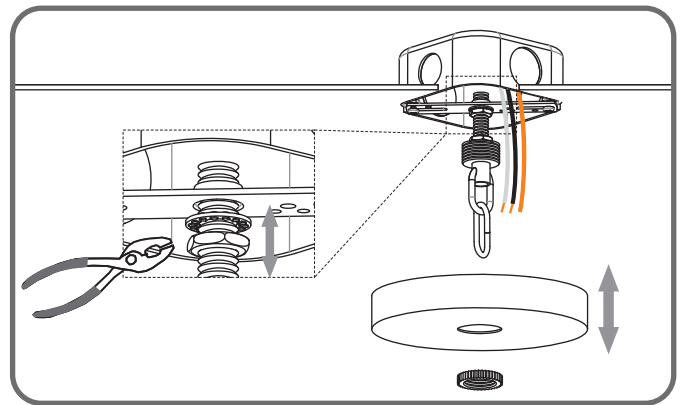


2

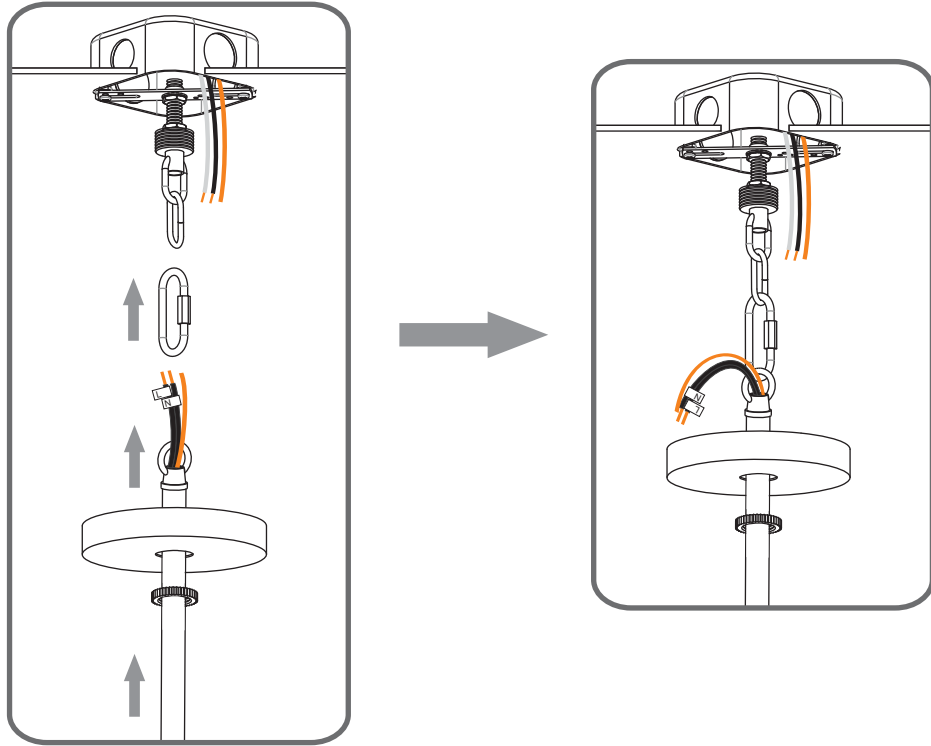
**Step 2 - 3**  
**Test fitting ceiling canopy to nipple**



3



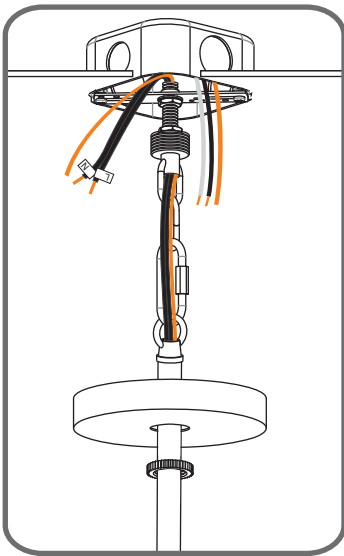
### STEP 3



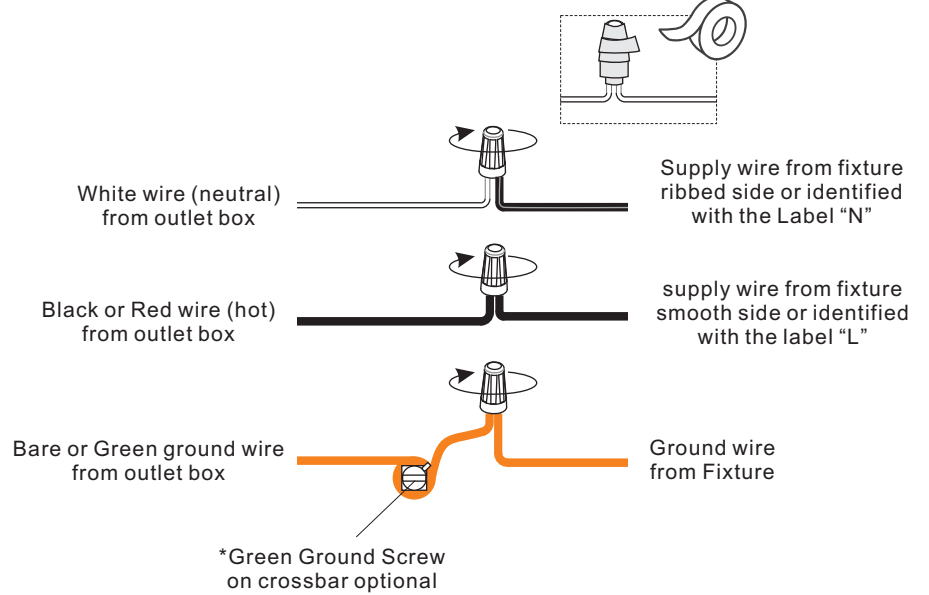
### STEP 4

1

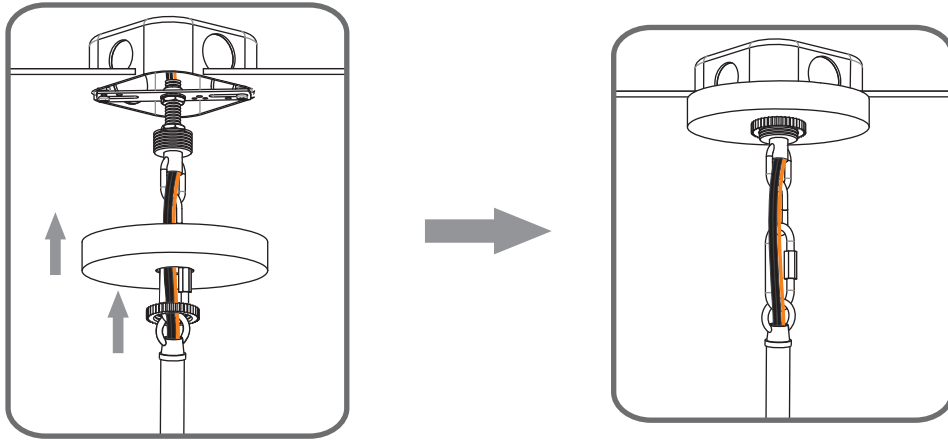
Step 1  
Feed the fixture wires  
through the loop



2



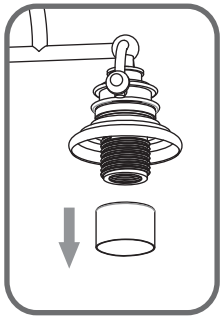
**STEP 5**



**STEP 6**

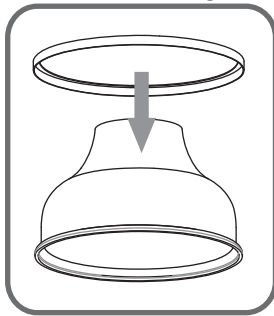
**1**

Remove socket collar



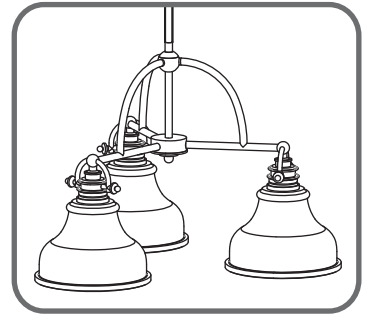
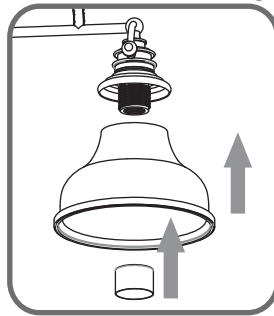
**2**

Place the ring



**3**

Install shade with ring



**STEP 7**

