

Please go to www.quoise.com for product cleaning tips. Go to the **Care + Maintenance** selection.

Tools Required: Flathead screwdriver, Phillips screwdriver, pliers, wire cutters, wire strippers, electrical tape, safety glasses.

Light Source: LED 42W

Fixture Hanging Height: Minimum Hanging Height is 10.5", Maximum Hanging Height is 96.5".

Estimated Assembly Time: 30-45 minutes

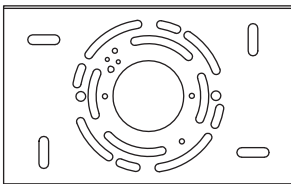
Preparation: Identify and inspect all parts before beginning installation. Check package content list and diagrams below to be sure all parts are present. If any parts are missing or damaged, do not attempt to assemble, install, or operate the fixture. Contact your original place of purchase.

⚠ Warnings and Cautions

Turn off electricity at circuit breaker or main fuse box before installation. Consult a licensed electrician if in doubt.

These instructions are provided for your safety. It is very important you read them completely before installing the fixture. We strongly recommend that a licensed, professional electrician perform the installation.

Package Contents



A Inner Backplate
x 1



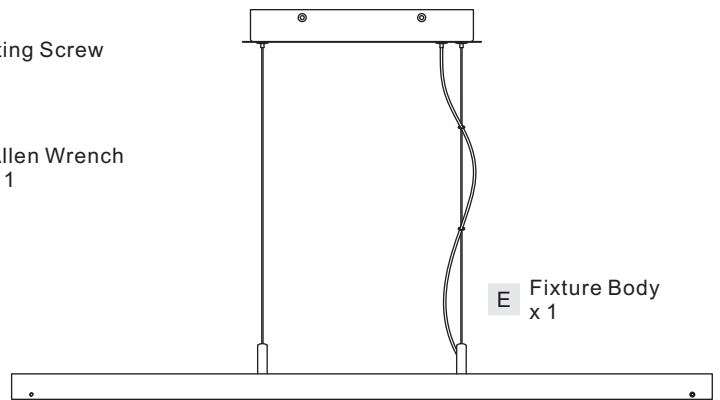
B Mounting Screw
x 4



C Allen Wrench
x 1



D Glass Panel
x 1



E Fixture Body
x 1

STEP 1 – Install Glass Panel

- Remove set screws from the Fixture Body (E).
- Place the Glass Panel (D) onto the Fixture Body (E) and align the holes on the Glass Panel (D) to mounting holes on the Fixture Body (E). Secure the Glass Panel (D) by threading previously removed set screws back onto the Fixture Body (E). Hand tighten until snug with the Allen Wrench (C).

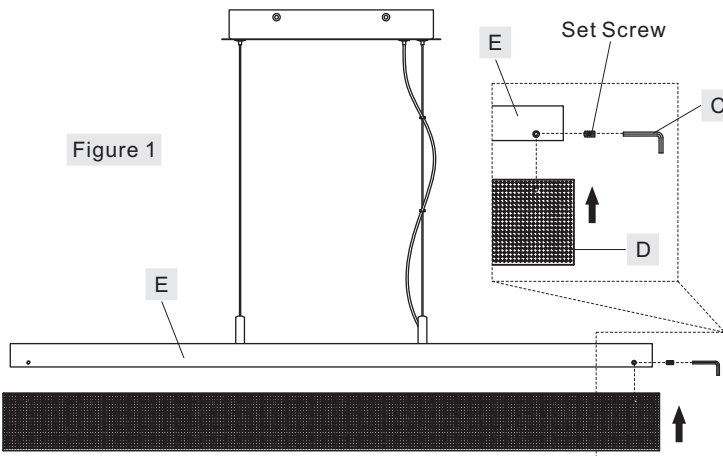


Figure 1

(Step 2 Continued)

- Push each button on the bottom of the ceiling canopy and adjust each cable to your desired hanging height. If necessary, loosen the set screw on the copper stopper and move the copper stopper to proper location on the cable. Tighten the set screw until snug to secure the copper stopper.
- Make sure the Fixture Body (E) is horizontal after adjustments.

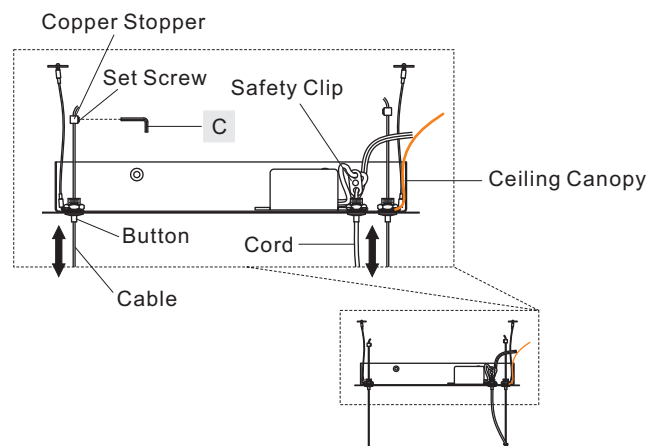


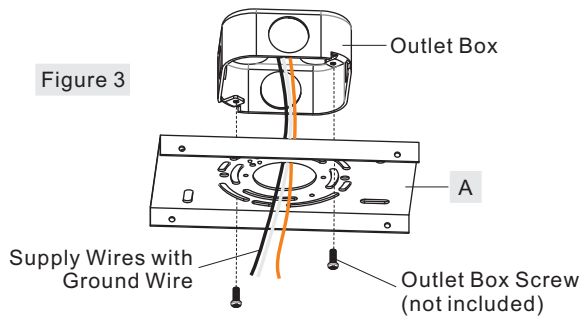
Figure 2

STEP 2 – Adjust Fixture Height

- Move the safety clip on the cord until there is enough distance for cord adjustment. Push the button underside of the ceiling canopy and adjust the cord in or out of the ceiling canopy to achieve your desired hanging height.
- Move safety clip on the cord next to the hex nut inside of the ceiling canopy.

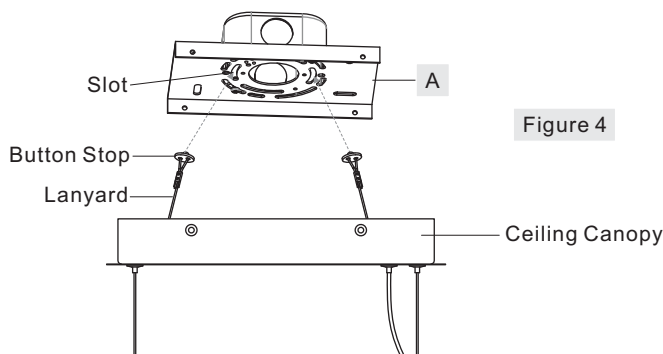
STEP 3 - Install Inner Backplate

- A. Pass the supply wires with ground wire through the Inner Backplate (A). Attach the Inner Backplate (A) to the outlet box and secure with outlet box screws (not included). Tighten until snug with screwdrivers.



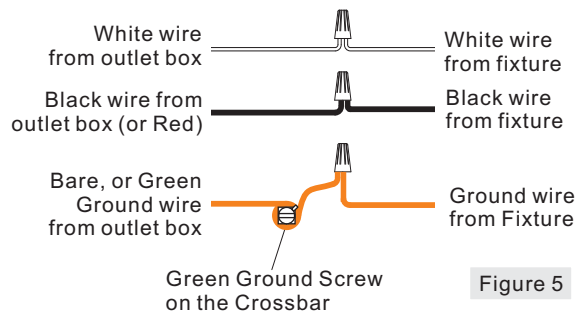
STEP 4 - Attach Lanyards

- A. The purpose of the lanyard is to provide a means to support the fixture hands free from the junction box while connecting the electrical wires.
- B. Turn the Button Stop so it may be inserted into a inner backplate slot. Make sure the Button Stop is completely inside the inner backplate. Slowly release the fixture to make sure it is supported by the Button Stop. Proceed to the wiring steps in the next step. Once you are complete with the wiring, the Lanyard will push into the junction box when the fixture is placed for final mounting.



STEP 5 - Wire Connections

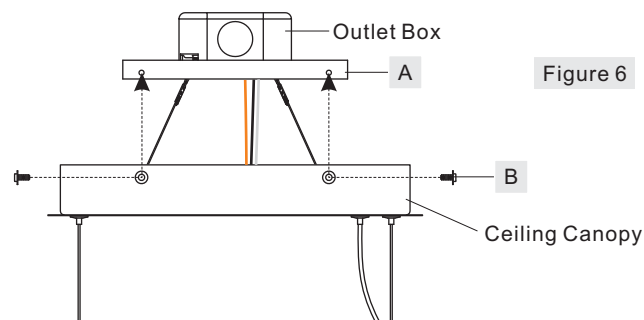
- A. Wrap bare or green ground wire around green ground screw on the crossbar, no less than 2 inches from the end of the wire. Tighten the green ground screw.
- B. Use standard wire connectors (not included) to make all wire connections. Twist connectors until wires are tightly joined together. Wrap each connection with approved electrical tape and carefully stuff all the connected wires into the Outlet Box.



STEP 6 - Attach Ceiling Canopy to Inner Backplate

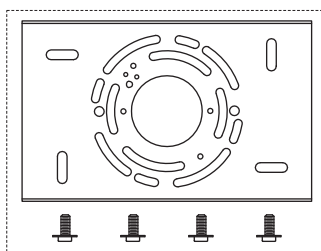
- A. Fit excess cord and electrical wires in the ceiling canopy properly. Line up the holes on the side of the ceiling canopy to the mounting holes on the Inner Backplate (A). Secure them with Mounting Screws (B). Tighten until snug.

Your fixture is now assembled and ready to use. Enjoy!



MTX136C

FINISH: POLISHED CHROME



NOTE: ALL DIMENSIONS ARE ROUNDED UP TO THE NEAREST 1/4"

