

INSTALLATION GUIDE FOR SUN1715WS and SUN2815WS

SAFETY INFORMATION

Released Date: 2021-06-28

Please read and understand this entire manual before attempting to assemble, install or operate the product.

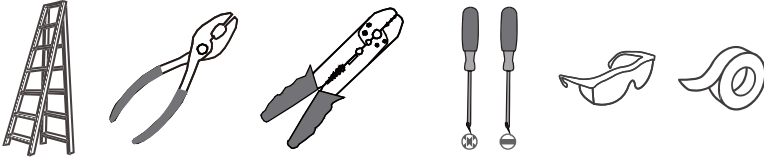
WARNING

- RISK OF ELECTRIC SHOCK - Before beginning installation, turn off electricity at the circuit breaker box or the main fuse box.
- RISK OF FIRE - Use bulbs specified by the markings and/or labels on the fixture.

CAUTION

- For your safety, read instructions completely before beginning installation.
- If in doubt about electrical installation, consult a licensed electrician.
- Turn off electricity to fixture before replacing the bulb(s).

TOOLS REQUIRED

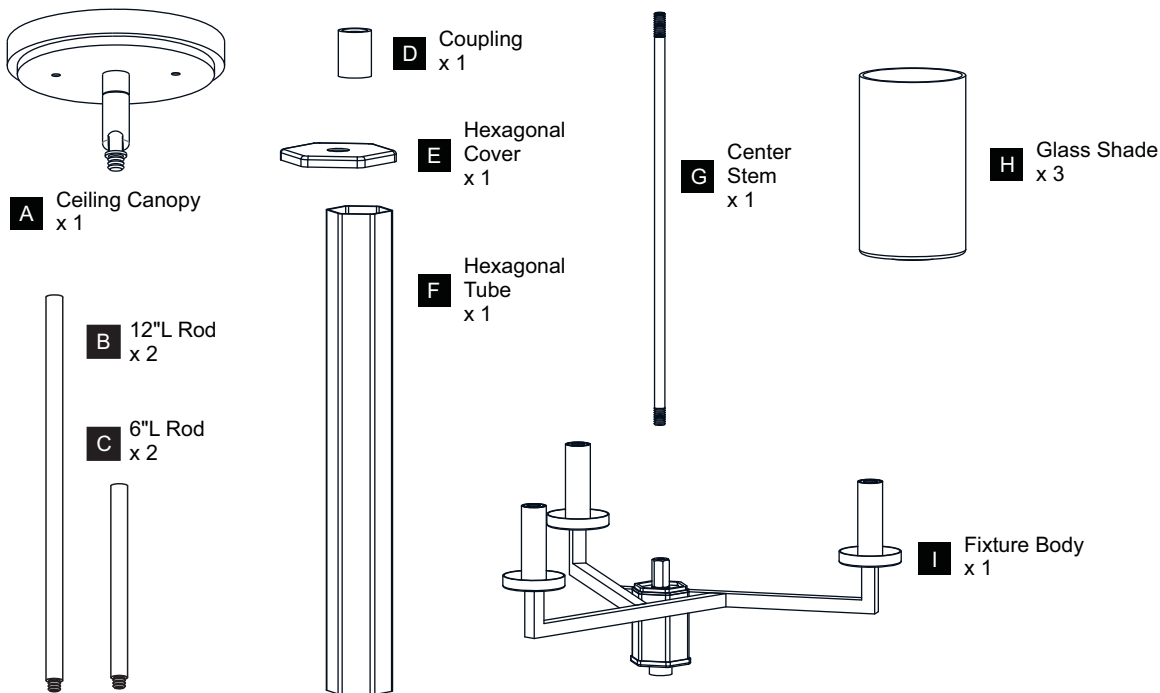


CARE AND MAINTENANCE

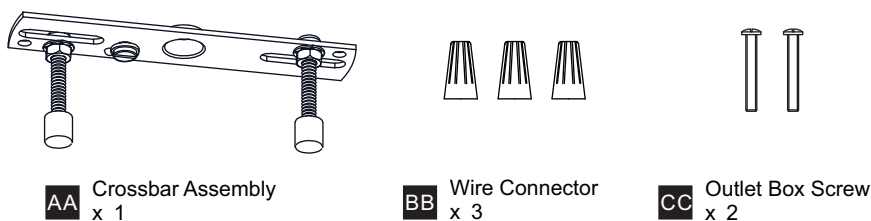
- Wipe clean using soft, dry cloth or static duster. Always avoid using harsh chemicals and abrasives to clean fixture as they may damage the finish.

If you need further assistance call Quozel Customer Care at 1-800-645-3184 (9:00am - 5:00pm EST), or visit us on-line at www.quezel.com.

PACKAGE CONTENTS



MOUNTING HARDWARE



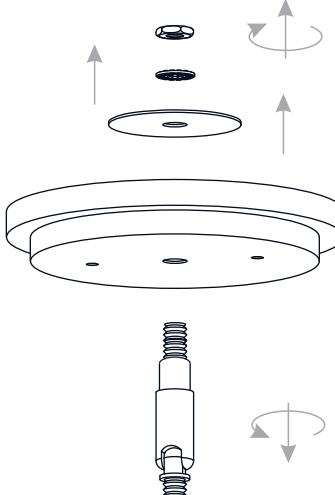
INSTALLATION

OPTION 2: SEMI-FLUSH SUN1715WS

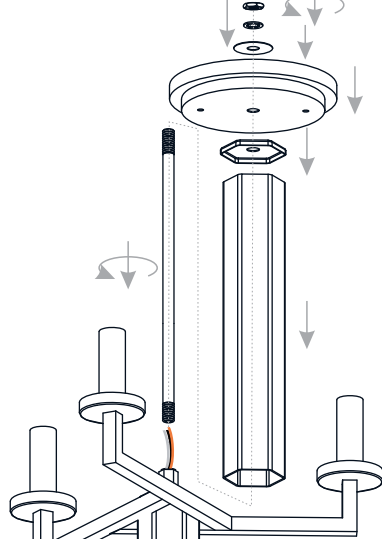
* Set aside the swivel, (2) 6"L Rods and (2) 12"L Rods since they are not required for the semi-flush installation.



1 Remove Swivel

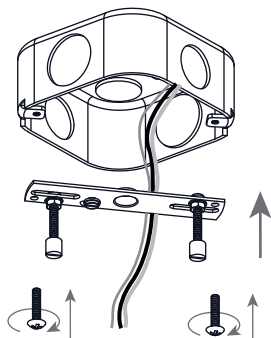


2 Install Center Stem and Tube

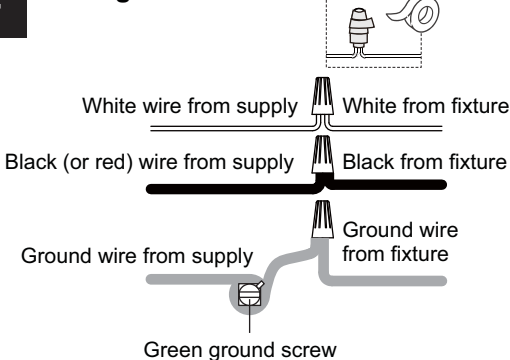


3 Install Crossbar Assembly

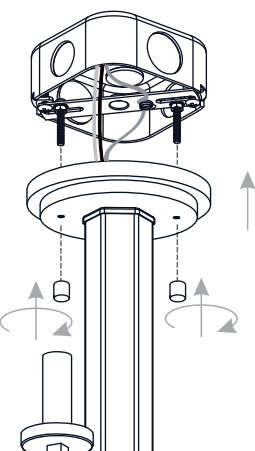
Outlet Box



4 Wiring



5 Install Ceiling Canopy to Crossbar Assembly



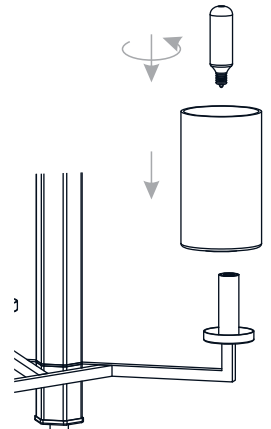
6 Install Glass Shades and Bulbs

Install three correct bulbs referring to fixture markings and/or labels for maximum wattage.

Recommended Bulb Type (not included):

BULB BASE TYPE	BULB SHAPE TYPE
Candelabra (E12)	TYPE B

60W

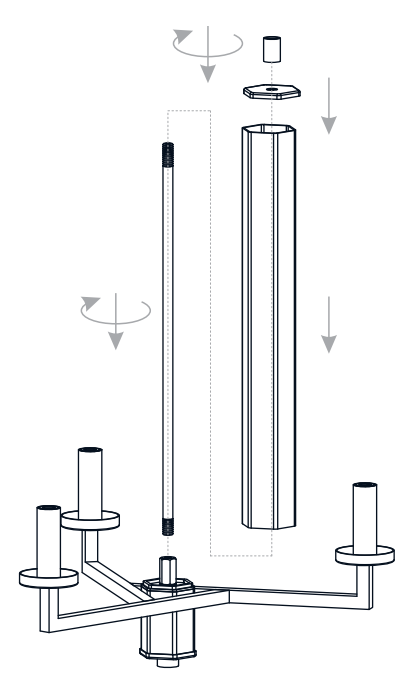


Your installation is now complete! Restore electricity and save this sheet for future reference.

INSTALLATION

OPTION 1: PENDANT SUN2815WS

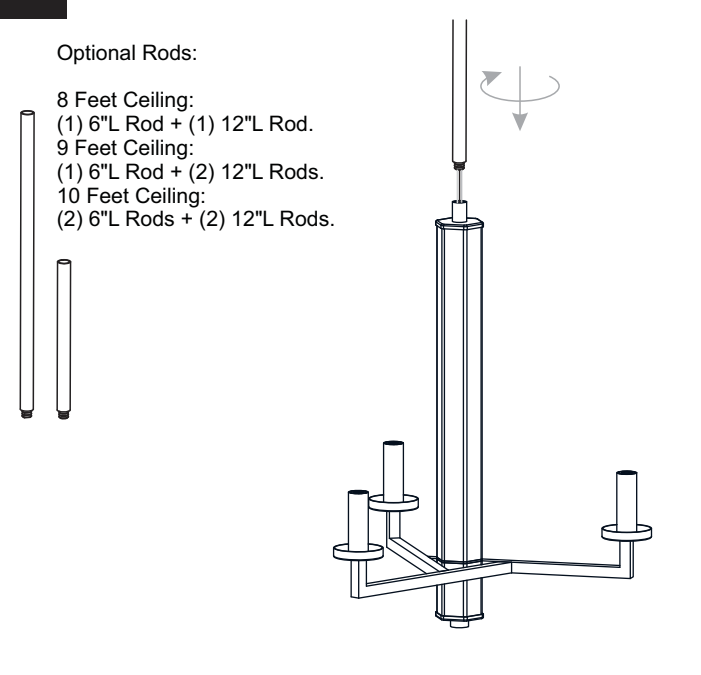
1 Install Hexagonal Tube



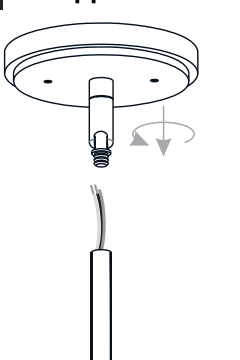
2 Install Rods

Optional Rods:

- 8 Feet Ceiling: (1) 6"L Rod + (1) 12"L Rod.
- 9 Feet Ceiling: (1) 6"L Rod + (2) 12"L Rods.
- 10 Feet Ceiling: (2) 6"L Rods + (2) 12"L Rods.

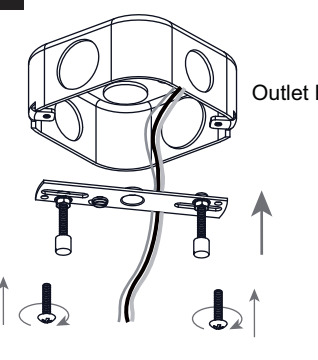


3 Install Ceiling Canopy to Upper Rod

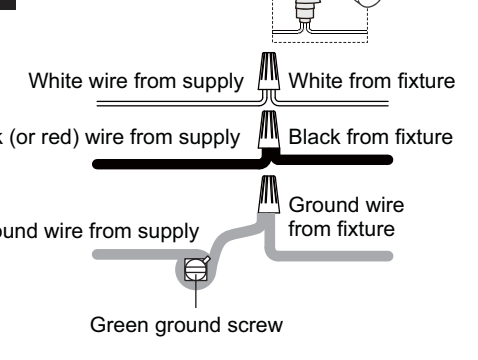


4 Install Crossbar Assembly

Outlet Box



5 Wiring



White wire from supply White from fixture

Black (or red) wire from supply Black from fixture

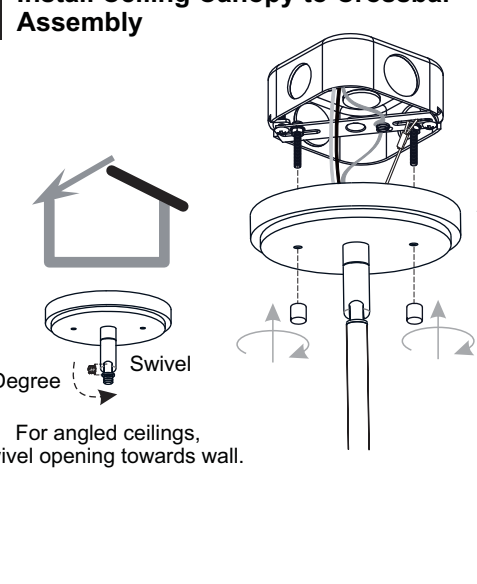
Ground wire from supply Ground wire from fixture

Green ground screw

6 Install Ceiling Canopy to Crossbar Assembly

90Degree Swivel

For angled ceilings, Swivel opening towards wall.



7 Install Glass Shades and Bulbs

Install three correct bulbs referring to fixture markings and/or labels for maximum wattage.

Recommended Bulb Type (not included):

BULB BASE TYPE	BULB SHAPE TYPE
Candelabra (E12)	TYPE B

60W

