

Please go to [www.quoizel.com](http://www.quoizel.com) for product cleaning tips. Go to the **Care + Maintenance** selection.

**Tools Required:** Flathead screwdriver, Phillips screwdriver, pliers, wire cutters, wire strippers, electrical tape, safety glasses.

**Light Source:** (1) Medium Base Type-A bulb (not supplied), Maximum 100W.

**Estimated Assembly Time:** 30-45 minutes

**Preparation:** Identify and inspect all parts before beginning installation. Check package content list and diagrams below to be sure all parts are present. If any parts are missing or damaged, do not attempt to assemble, install, or operate the fixture. Contact customer service for replacement parts.

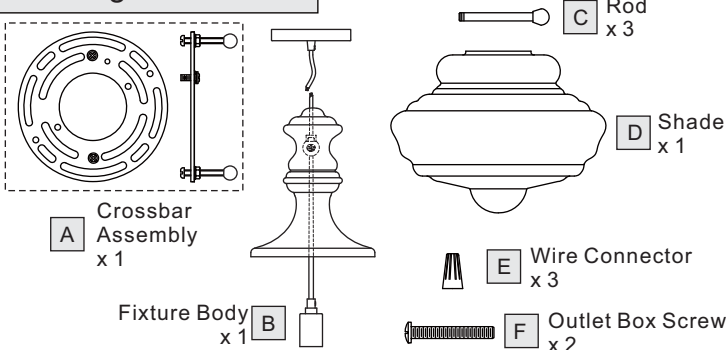
## ⚠ Warnings and Cautions

Turn off electricity at circuit breaker or main fuse box before installation. Consult a licensed electrician if in doubt.

These instructions are provided for your safety. It is very important you read them completely before installing the fixture. We strongly recommend that a licensed, professional electrician perform the installation.

Disconnect fixture from power source before replacing bulbs. Make sure bulbs are given sufficient time to cool before removal. Do not subject glass parts to any shock while in operation or shattering may result.

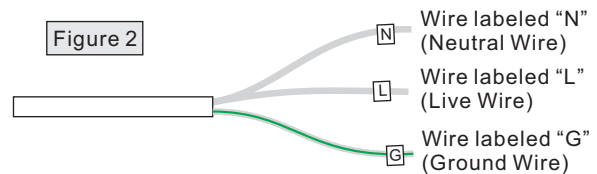
## Package Contents



## (Step 2 Continued)

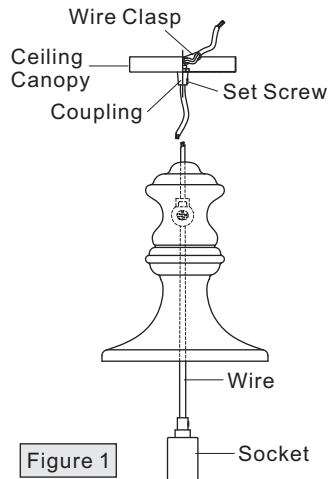
where the wire will be cut. Be sure to place the label on the wire below where the cut will be made. Do this for each wire, L, N and G.

Leave approximately 10" of wire extending from the ceiling canopy and strip back the wire covering about 4" to allow for wire connections.



## STEP 1 – Adjust Fixture Height

- With a screwdriver, unlock the Set Screw on the Coupling underside of the Ceiling Canopy. Pull the Wire in or out of the Ceiling Canopy to achieve your desired hanging height. Once your desired hanging height is achieved, tighten the Set Screw on the Coupling to secure the Wire.
- Move the Wire Clasp closed to hex nut inside of the Ceiling Canopy.



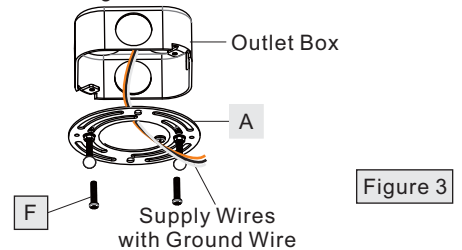
## STEP 2 – Handle Excess Wires

- If excess wires from ceiling canopy are not going to be cut, fit wires in the ceiling canopy properly. If excess wires from ceiling canopy are going to be cut, please refer to B.
- IMPORTANT:** Please pay attention to the wire identification before cutting the fixture wire.

If the electrical wire is going to be cut shorter than provided you will need to identify the "L" line wire, the "N" wire and the "G" ground line before you cut the excess wire off. One wire is labeled with an N, another wire with L and the rest wire is labeled with and G. Strip back the wire covering to the length you desire. This will expose each fixture wire individually. Separate the L wire, the N wire and the G wire. Remove the L label from the end of the wire and replace it near

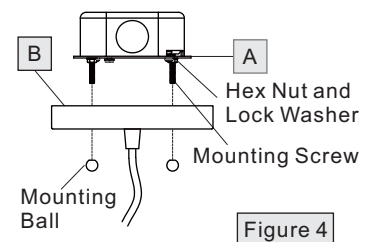
## STEP 3 – Install Crossbar Assembly

- Pass the supply wires through the Crossbar Assembly (A). Attach the Crossbar Assembly (A) to the Outlet Box with the head of the Green Ground Screw facing you. Secure it with Outlet Box Screws (F). Tighten until snug.



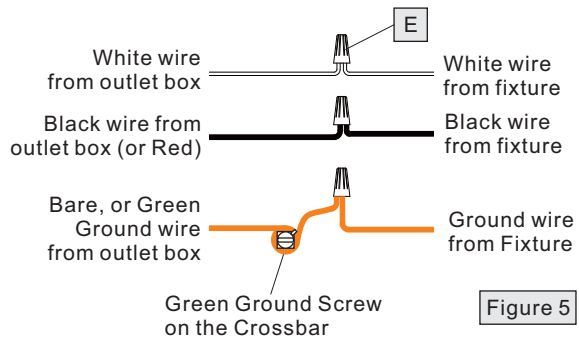
## STEP 4 – Fit Ceiling Canopy to Crossbar Assembly

- Remove mounting balls from the Crossbar Assembly (A). Fit the ceiling canopy on Fixture Body (B) to the Crossbar Assembly (A) and secure with mounting balls. Note: The ceiling canopy on Fixture Body (B) should be snug against the ceiling and the Mounting balls. If not, adjust the length of the nipple on the Crossbar Assembly (A) by unscrewing the preassembled hex nut and lock washer and then screwing the mounting screws in or out of the crossbar until the correct length is achieved. Once the ceiling canopy on Fixture Body (B) is secure, remove the mounting ball and ceiling canopy and proceed to Step 5.



### STEP 5 - Wire Connections

- A. Wrap bare or green ground wire around green ground screw on the crossbar, no less than 2 inches from the end of the wire. Tighten the green ground screw.
- B. Use standard wire connectors (E) to make all wire connections. Twist connectors until wires are tightly joined together. Wrap each connection with approved electrical tape and carefully stuff all the connected wires into the Outlet Box.



### STEP 6 - Install Bulb and Shade

- A. Screw Rods (C) onto Coupling on the top of the Socket.
- B. This fixture uses medium base type-A bulb (not supplied) with standard screw base. Maximum 100 watts. Insert bulb and screw snugly into place.
- C. Carefully insert Socket with Bulb into the Shade (D). The Rods (C) on the Socket will support in the top of the Shade (D).
- D. Press the button on the Slider and adjust the Slider to proper location. Carefully place the Upper Glass onto the top of the Shade (D).

Your fixture is now assembled and ready to use. Enjoy!

