

**SAFETY INFORMATION**

Please read and understand this entire manual before attempting to assemble, install or operate the product.

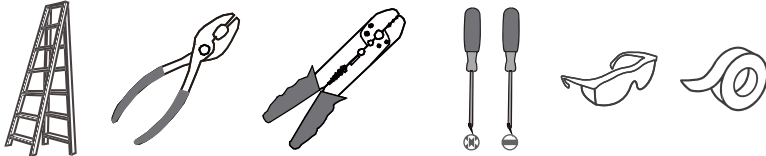
**WARNING**

- RISK OF ELECTRIC SHOCK - Before beginning installation, turn off electricity at the circuit breaker box or the main fuse box.
- RISK OF FIRE - Use bulbs specified by the markings and/or labels on the fixture.

**CAUTION**

- For your safety, read instructions completely before beginning installation.
- If in doubt about electrical installation, consult a licensed electrician.
- Turn off electricity to fixture before replacing the bulb(s).

**TOOLS REQUIRED**

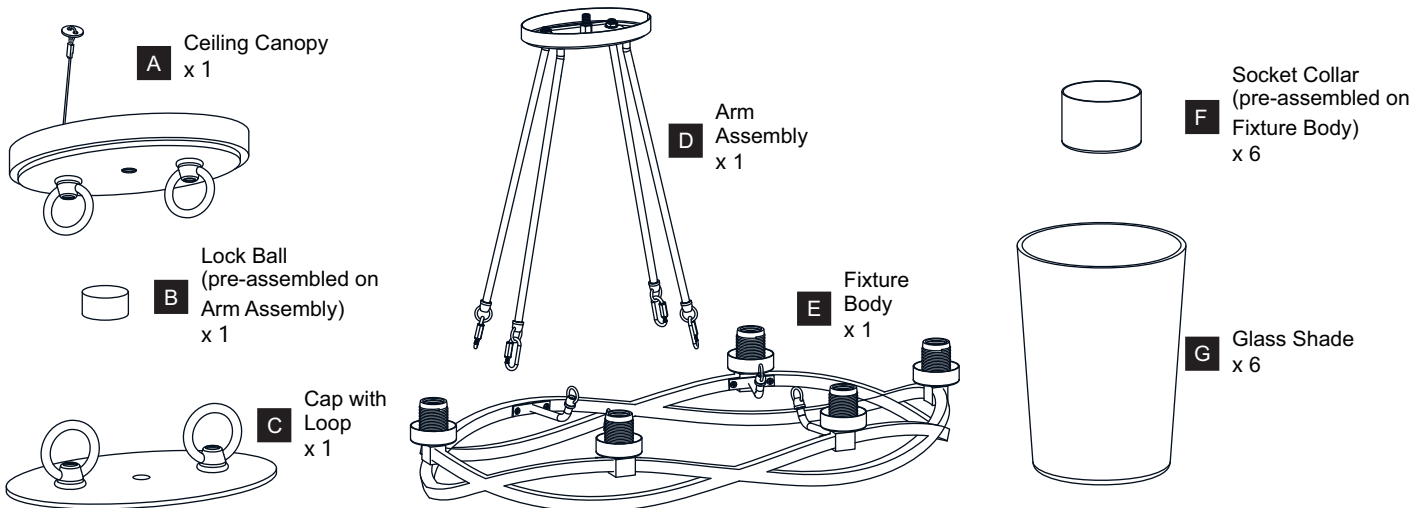


**CARE AND MAINTENANCE**

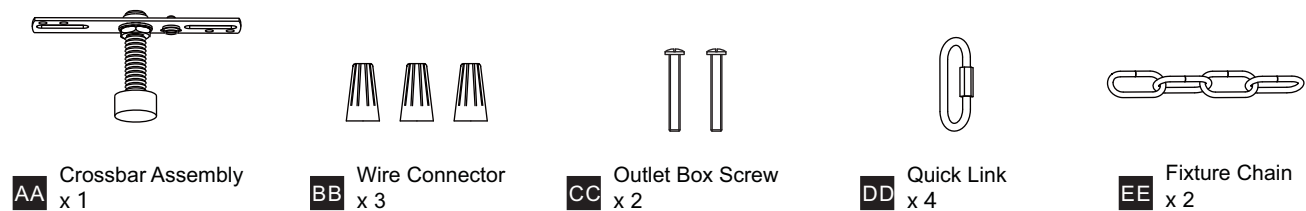
- Wipe clean using soft, dry cloth or static duster. Always avoid using harsh chemicals and abrasives to clean fixture as they may damage the finish.

If you need further assistance call Quoizel Customer Care at 1-800-645-3184 (9:00am - 5:00pm EST), or visit us on-line at [www.quoizel.com](http://www.quoizel.com).

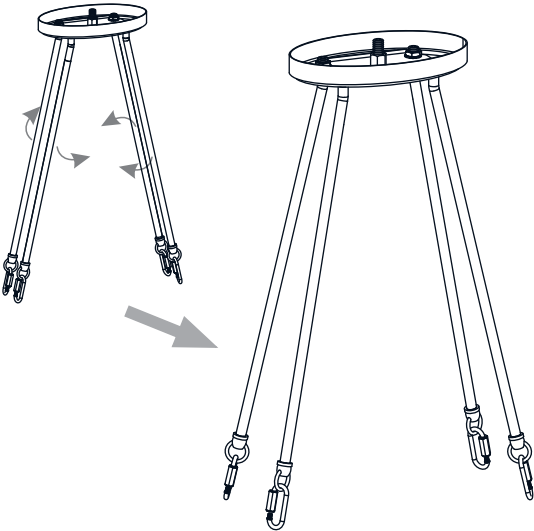
**PACKAGE CONTENTS**



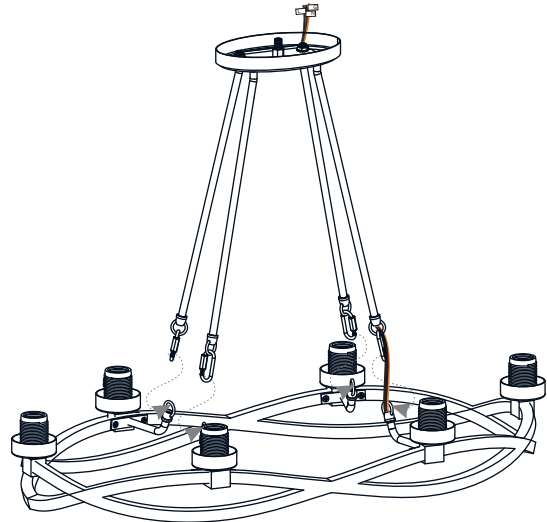
**MOUNTING HARDWARE**



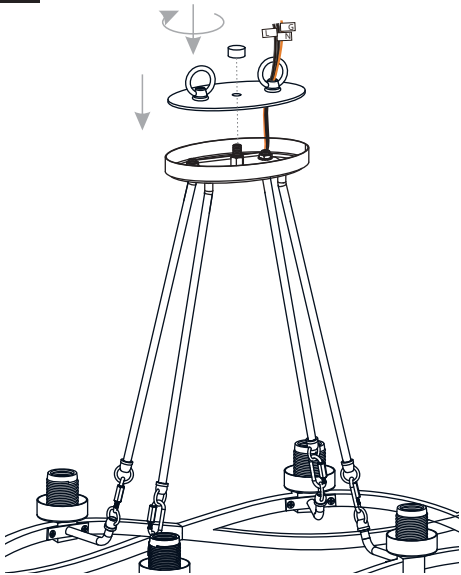
**1 Unfold Side Arms**



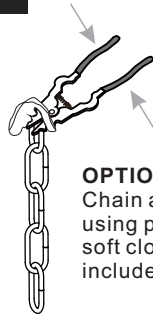
**2 Install Side Arm Assembly to Fixture Body**



**3 Install Cap with Fixture Loop**

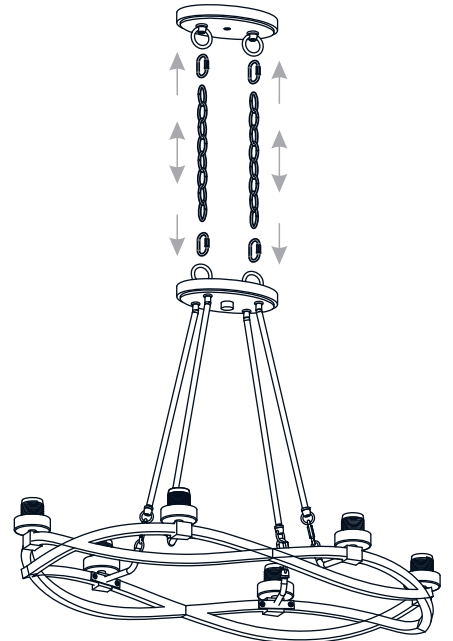


**4 Install Fixture Chains**



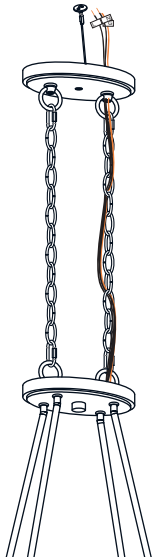
**OPTIONAL:** Adjust Chain as desired, using pliers and soft cloth (neither included).

Suggested chain length for Ceiling height:  
 8 feet ceiling: use 9 links of chain and 2 quick links  
 9 feet ceiling: use 19 links of chain and 2 quick links  
 10 feet ceiling: use 29 links of chain and 2 quick links.

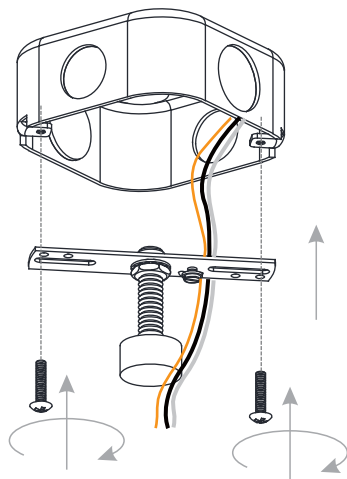


**5 Pull Supply Wires**

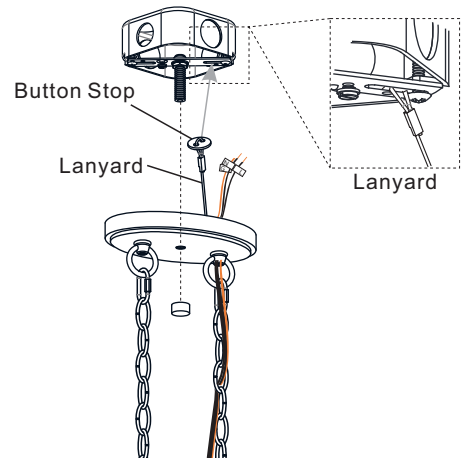
Pull the supply wires with ground wire through the chain alternate links.



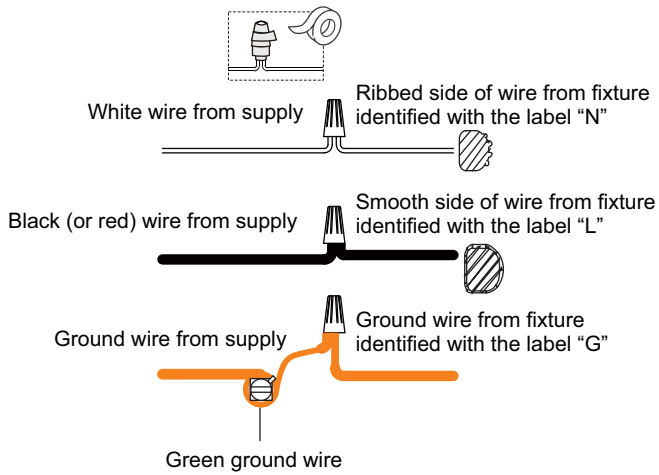
**6 Install Crossbar Assembly**



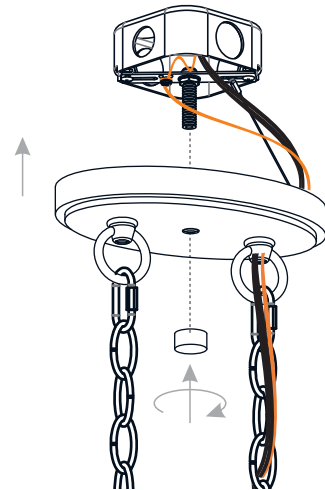
**7 Install Lanyard**



**8 Wiring**



**9 Install Ceiling Canopy**



**10 Install Shades and Bulbs**

Install six correct bulbs referring to fixture markings and/or labels for maximum wattage.

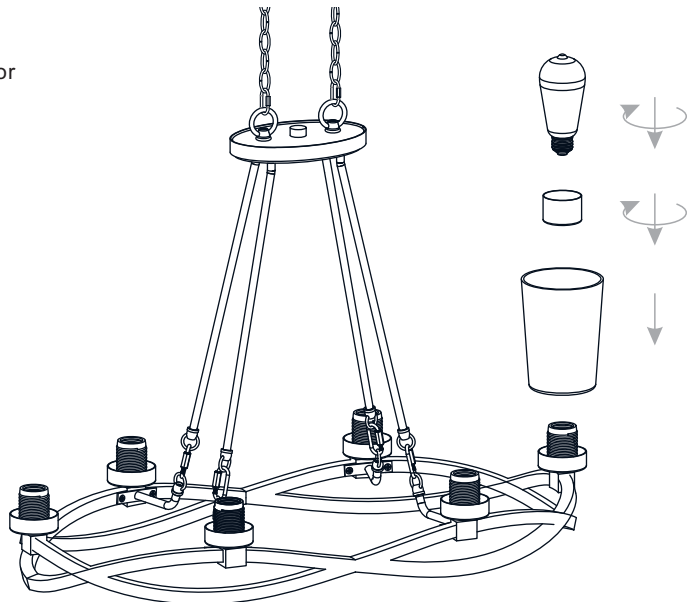
**Recommended Bulb Type  
(not included):**



**BULB BASE TYPE**  
Medium (E26)



**BULB TYPE**  
TYPE A



**Your installation is now complete! Restore electricity and save this sheet for future reference.**