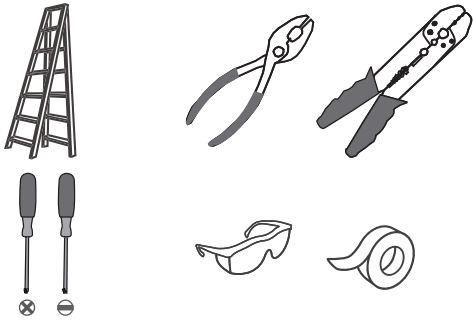
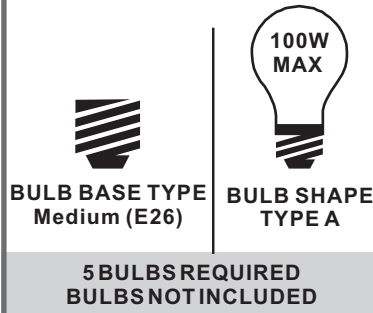


Tools Required



Light Source



**Fixture Height Adjustable
19.5" to 49.5"**

Warnings and Cautions

Turn off the electricity at the circuit breaker before installation. Consult a licensed electrician if in doubt about installation.

Turn off power to the fixture and allow the bulbs to cool before replacing.

Package Contents

Preparation: Identify and inspect all parts before beginning the installation.

Missing or damaged parts? Contact your original place of purchase.

PARTS BAG

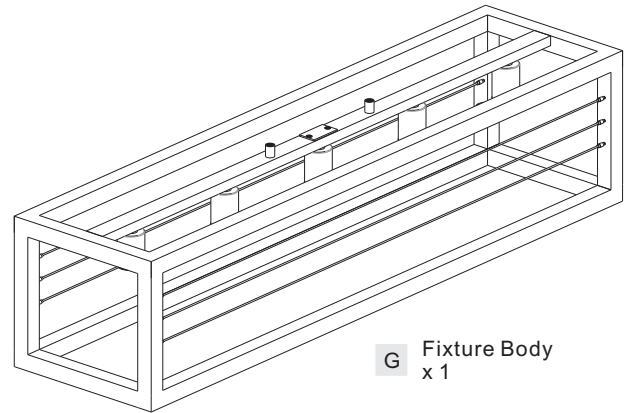
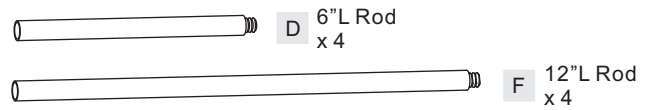
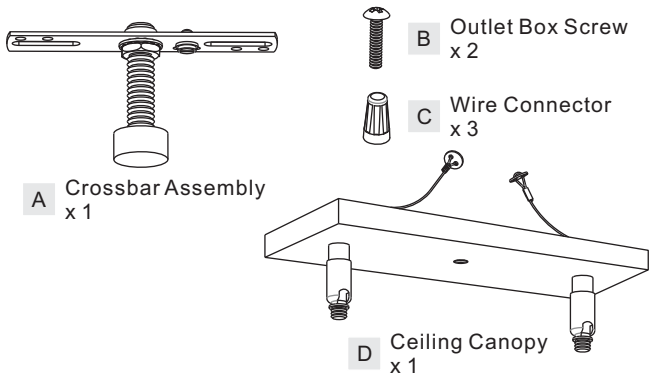


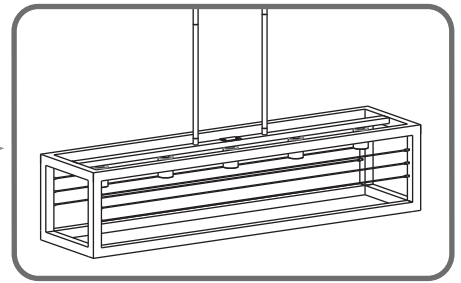
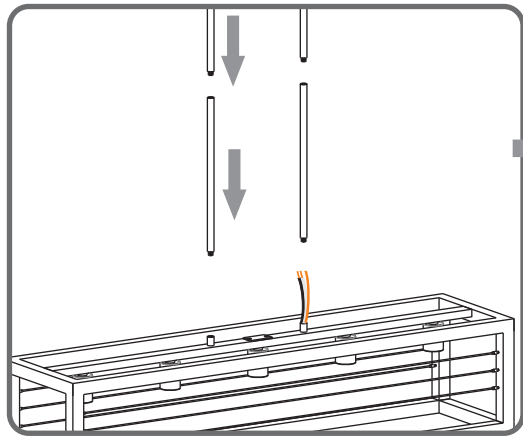

Table of Contents

Rods & Fixture Body	Crossbar Assembly	Rods & Ceiling Canopy	Lanyard	Wiring	Ceiling Canopy	Bulb
STEP 1	STEP 2	STEP 3	STEP 4	STEP 5	STEP 6	STEP 7

STEP 1

Optional Rods

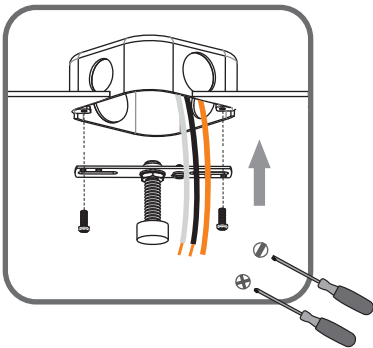
- 8' ceiling:
(2) 12"L rods
- 9' ceiling:
(4) 12"L rods
- 10' ceiling:
(4) 6"L + (4) 12"L rods



STEP 2

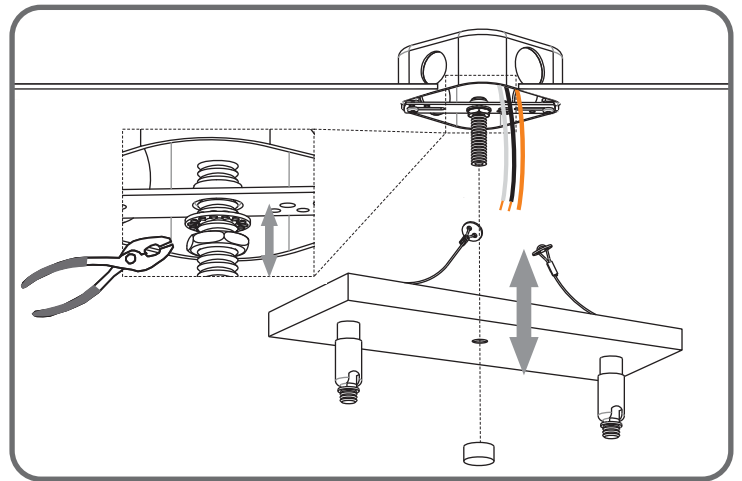
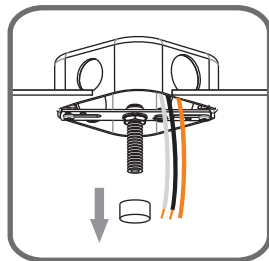
1

Step 1
Install crossbar assembly



2

Step 2 - 3
Test fitting ceiling canopy to nipple

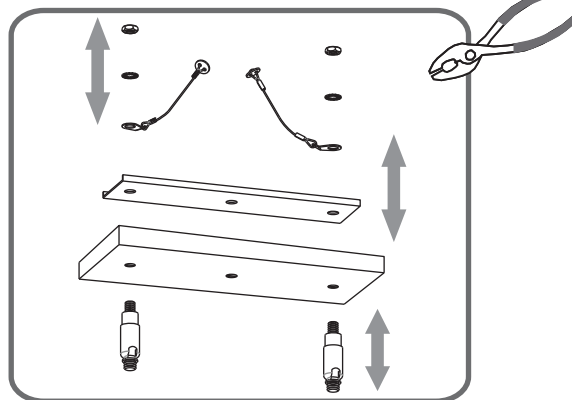


3

STEP 3

1

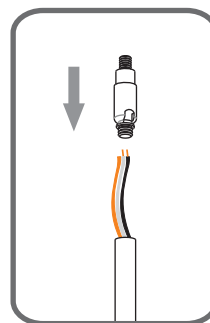
Separate Swivels from ceiling canopy



Reinstall swivels to ceiling canopy

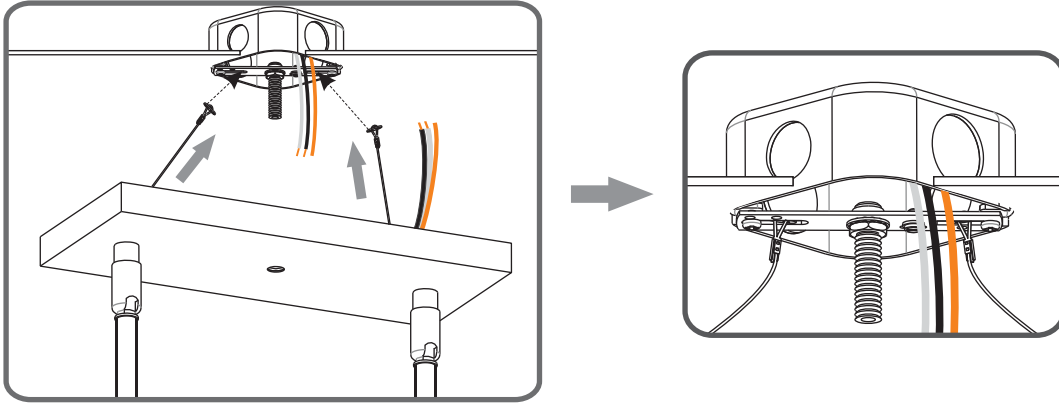
2

Install Swivels to upper rods

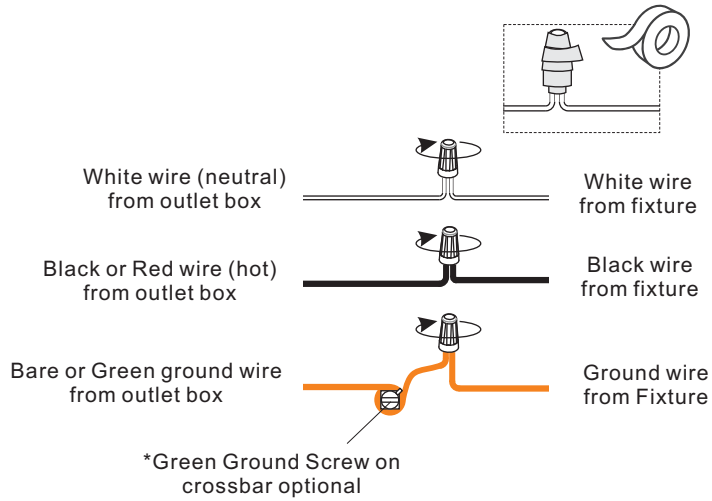


3

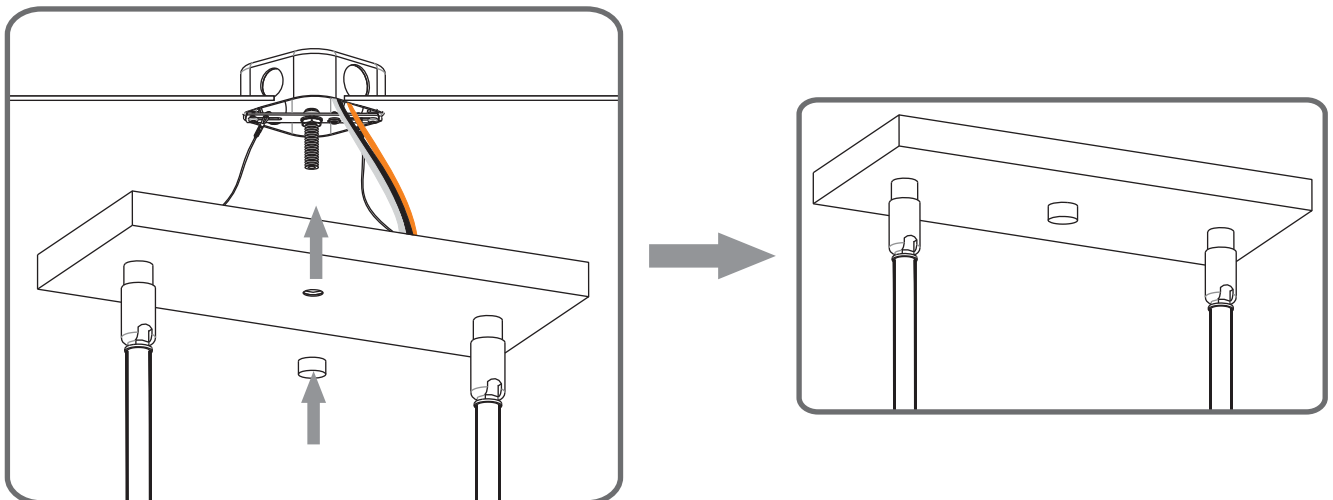
STEP 4



STEP 5



STEP 6



STEP 7

