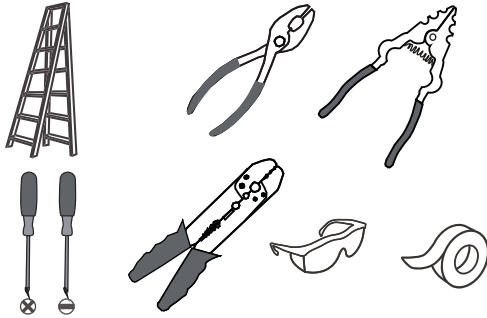
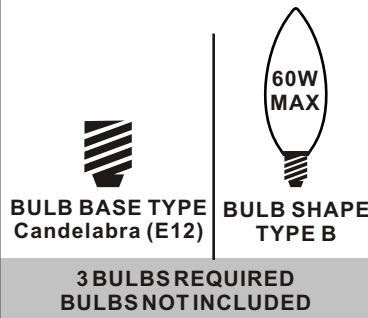


**Tools Required**



**Light Source**



**Fixture Height Adjustable  
15.75" to 63.75"**

**Warnings and Cautions**

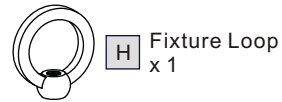
Turn off the electricity at the circuit breaker before installation. Consult a licensed electrician if in doubt about installation.

Turn off power to the fixture and allow the bulbs to cool before replacing.

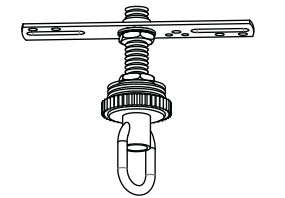
**Package Contents**

**Preparation:** Identify and inspect all parts before beginning the installation.

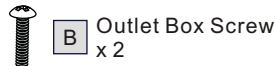
Missing or damaged parts? Contact your original place of purchase.



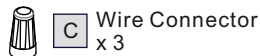
**PARTS BAG**



**A** Crossbar Assembly A x 1



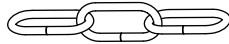
**B** Outlet Box Screw x 2



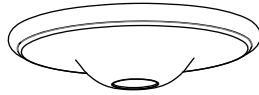
**C** Wire Connector x 3



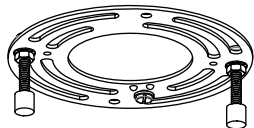
**D** Quick Link x 2



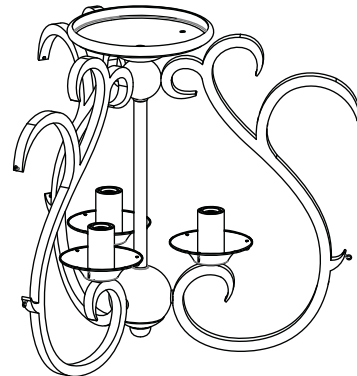
**E** Fixture Chain x 1



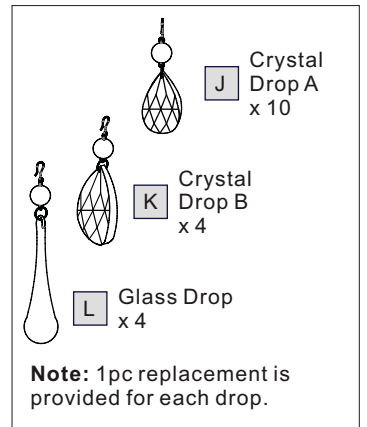
**F** Ceiling Canopy x 1



**G** Crossbar Assembly B x 1



**I** Fixture Canopy x 1



**J** Crystal Drop A x 10

**K** Crystal Drop B x 4

**L** Glass Drop x 4

**Note:** 1pc replacement is provided for each drop.

**Table of Contents**

**Assembly Instructions for Chandelier Light (Step 1A - Step 6A)**

**BLC2816AWH**

Fixture loop	Crossbar Assembly A	Fixture Chain	Wiring	Ceiling Canopy	Drops & Bulbs
<b>STEP 1A</b>	<b>STEP 2A</b>	<b>STEP 3A</b>	<b>STEP 4A</b>	<b>STEP 5A</b>	<b>STEP 6A</b>

**Assembly Instructions for Semi-flush Light (Step 1B - Step 4B)**

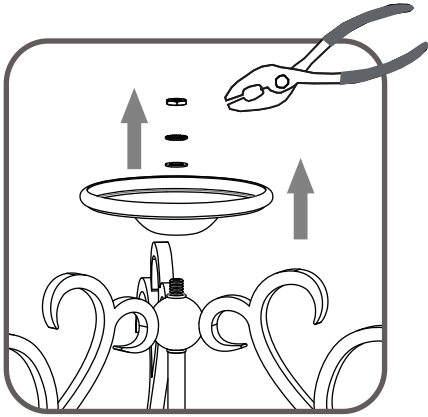
**BLC1716AWH**

Crossbar Assembly B	Wiring	Fixture Canopy	Drops & Bulbs
<b>STEP 1B</b>	<b>STEP 2B</b>	<b>STEP 3B</b>	<b>STEP 4B</b>

**STEP 1A**

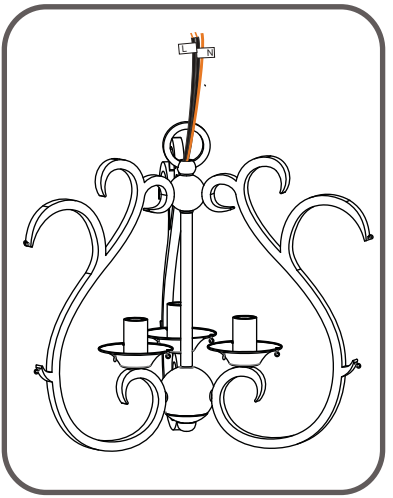
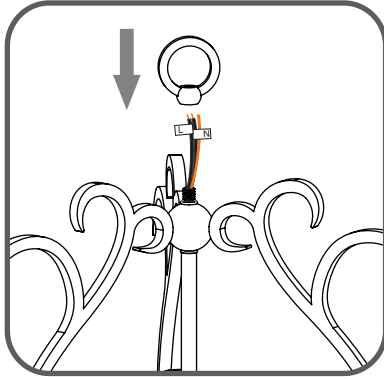
**1**

Remove fixture canopy



**2**

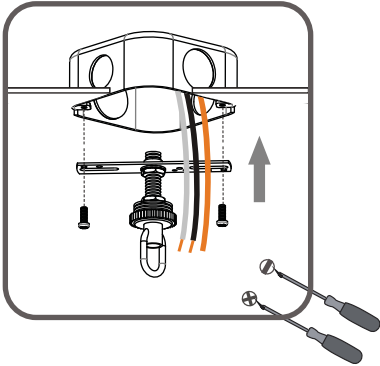
Install fixture loop



**STEP 2A**

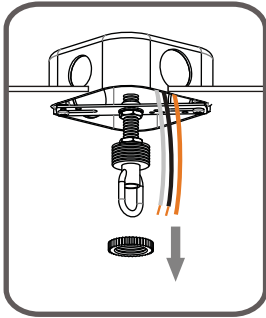
**1**

Step 1  
Install crossbar assembly

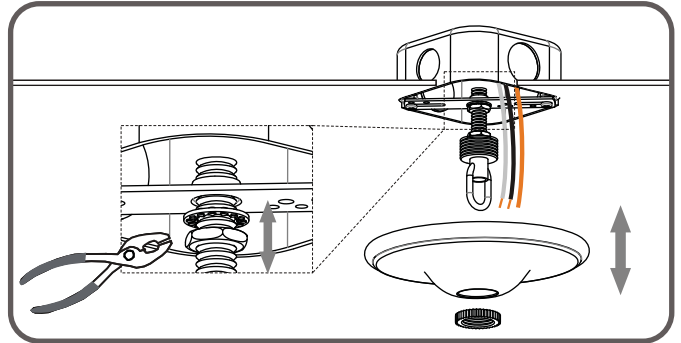


**2**

Step 2 - 3  
Test fitting ceiling canopy to nipple



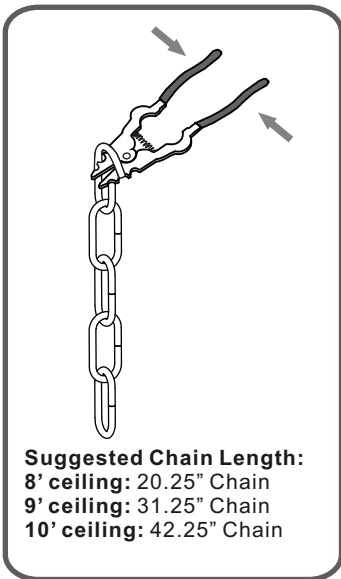
**3**



**STEP 3A**

**1**

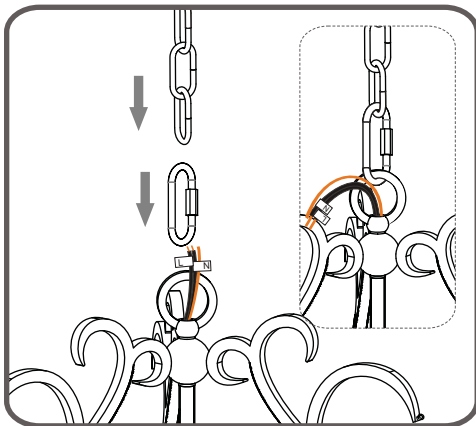
Step 1  
Adjust fixture chain length



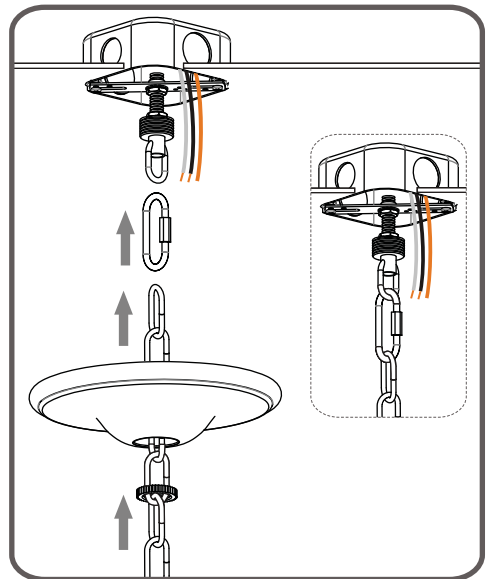
**Suggested Chain Length:**  
8' ceiling: 20.25" Chain  
9' ceiling: 31.25" Chain  
10' ceiling: 42.25" Chain

**2**

Step 2 - 3  
Install Fixture Chain



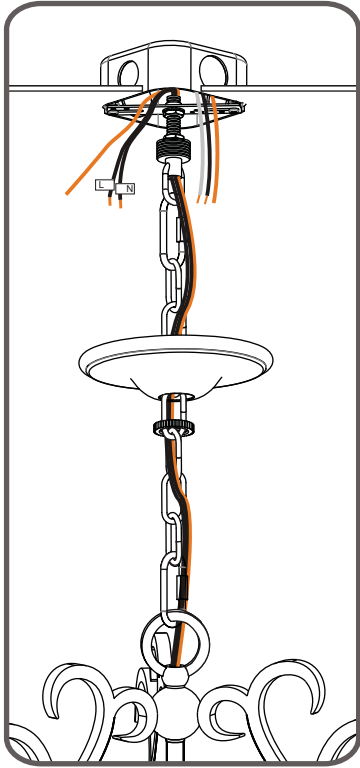
**3**



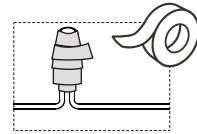
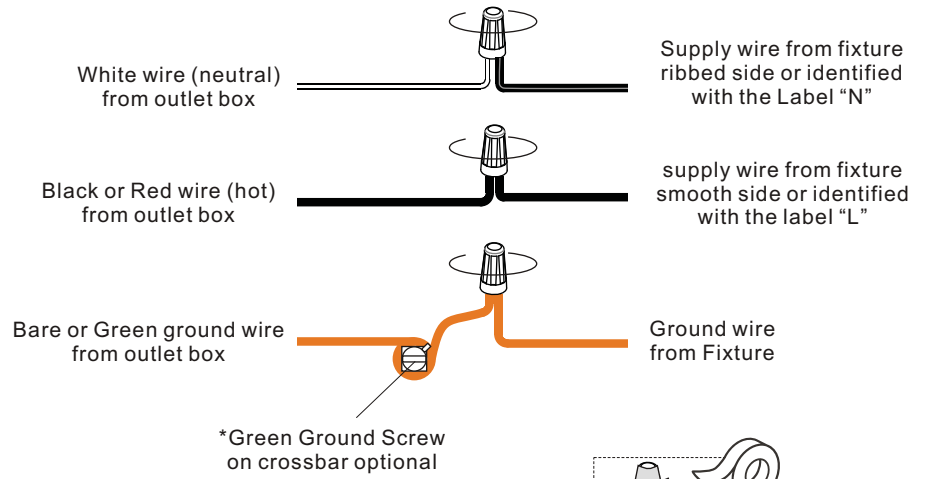
# STEP 4A

1

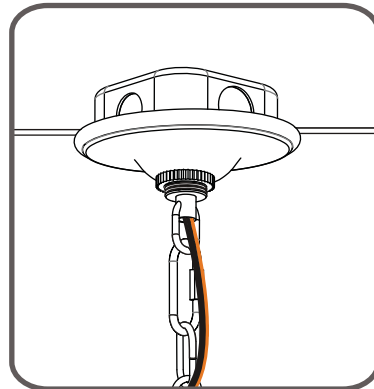
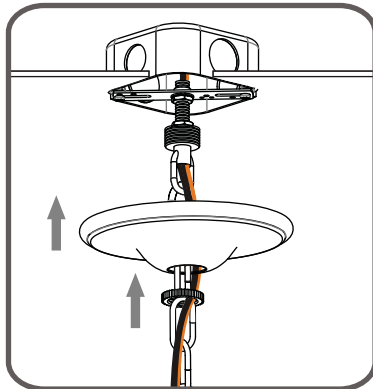
Step 1  
Feed the fixture wires  
through the loop



2



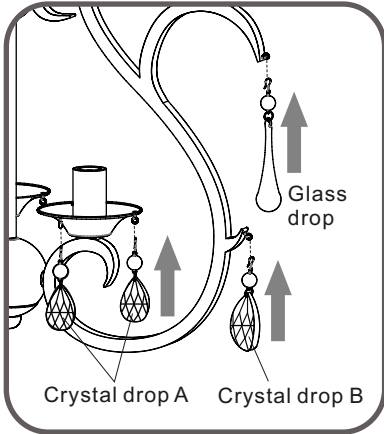
# STEP 5A



**STEP 6A**

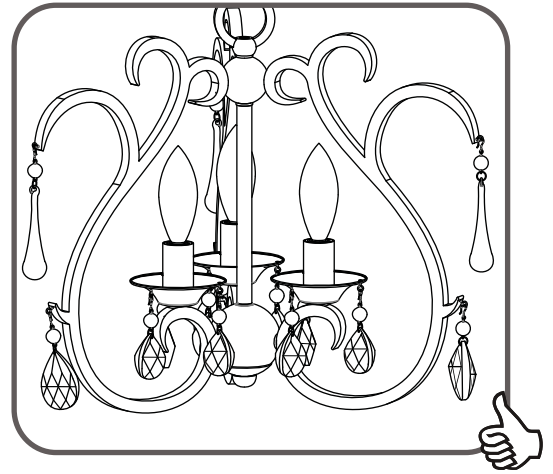
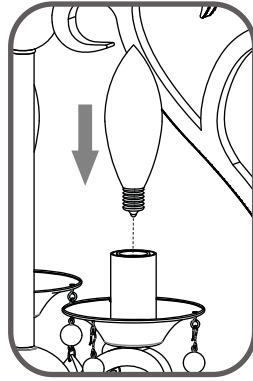
1

Install drops



2

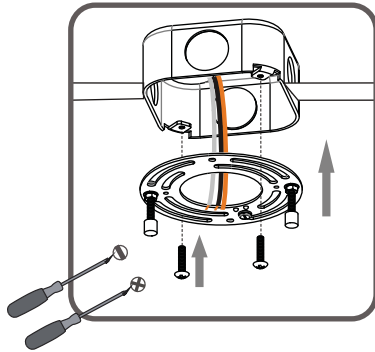
Install bulb



**STEP 1B**

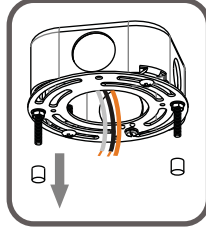
1

Step 1  
Install crossbar assembly

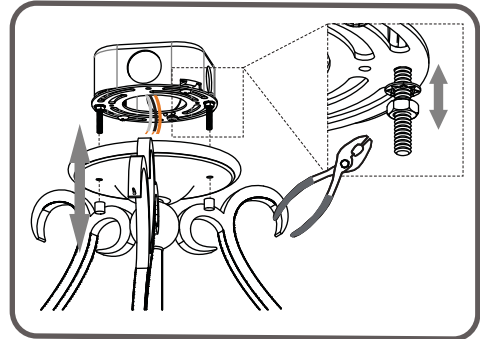


2

Step 2 - 3  
Test fitting ceiling canopy to mounting screws



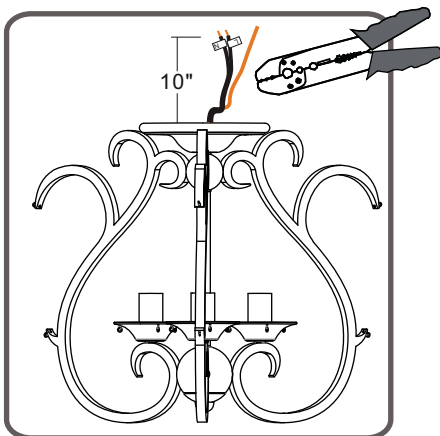
3



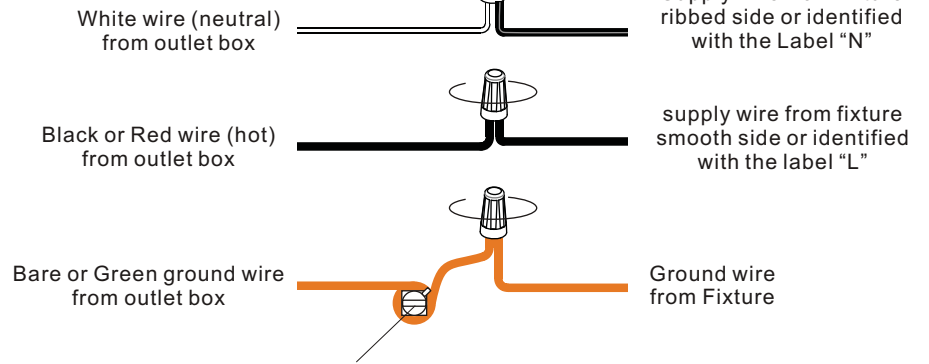
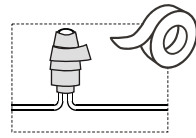
**STEP 2B**

1

Step 1  
Cut supply wires

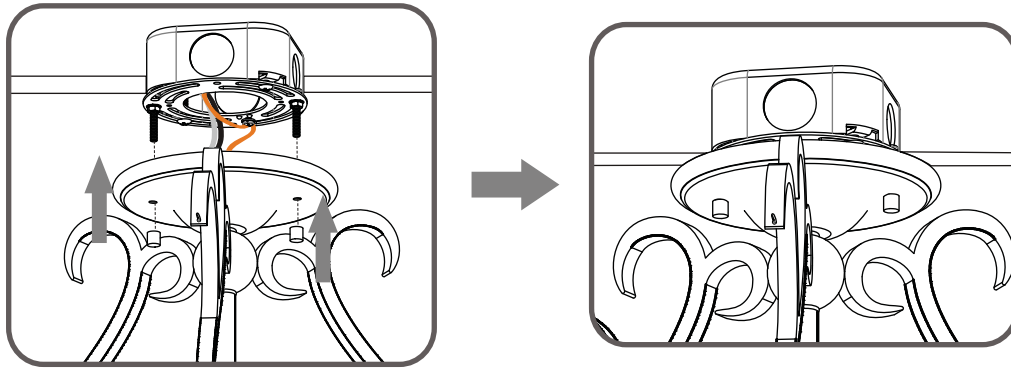


2



\*Green Ground Screw on crossbar optional

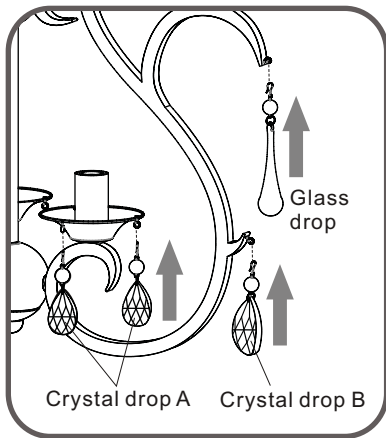
**STEP 3B**



**STEP 4B**

**1**

**Install drops**



**2**

**Install bulb**

