

SAFETY INFORMATION

Please read and understand this entire manual before attempting to assemble, install or operate the product.

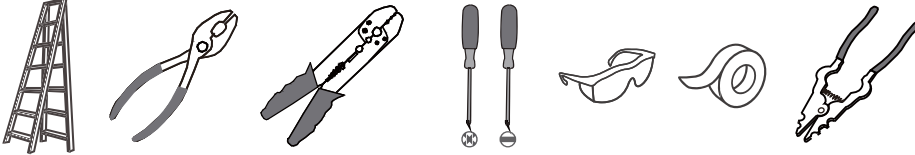
WARNING

- RISK OF ELECTRIC SHOCK - Before beginning installation, turn off electricity at the circuit breaker box or the main fuse box.
- RISK OF FIRE - Use bulbs specified by the markings and/or labels on the fixture.

CAUTION

- For your safety, read instructions completely before beginning installation.
- If in doubt about electrical installation, consult a licensed electrician.
- Turn off electricity to fixture before replacing the bulb(s).

TOOLS REQUIRED

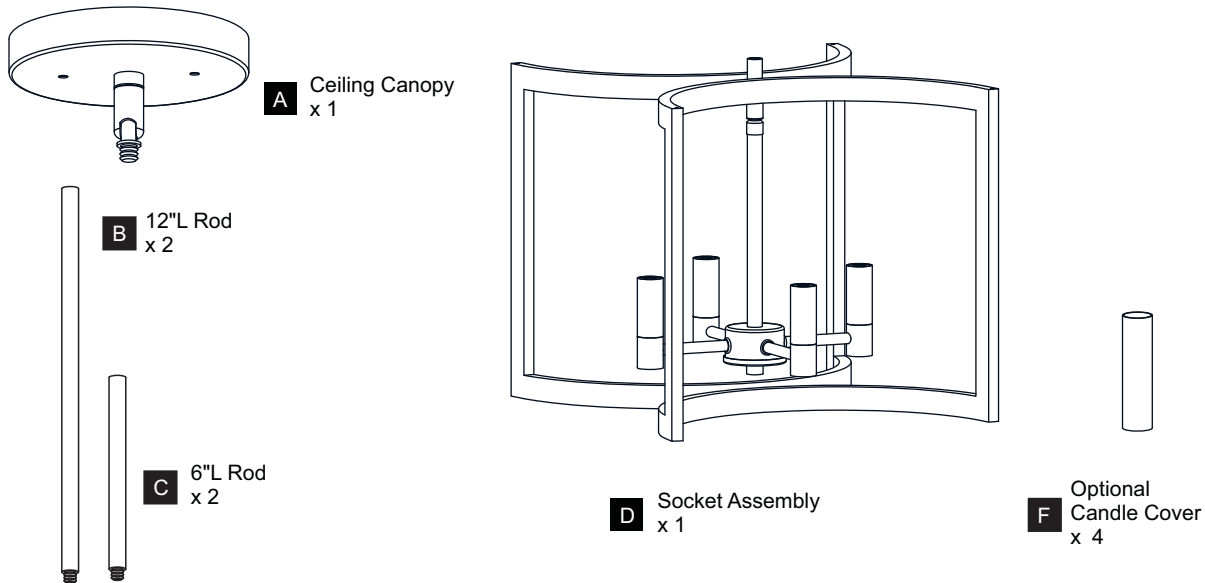


CARE AND MAINTENANCE

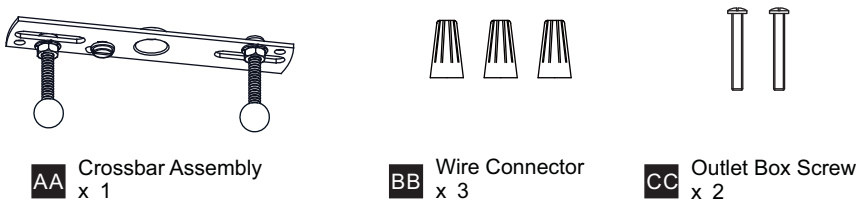
- Wipe clean using soft, dry cloth or static duster. Always avoid using harsh chemicals and abrasives to clean fixture as they may damage the finish.

If you need further assistance call Quoizel Customer Care at 1-800-645-3184 (9:00am - 5:00pm EST), or visit us on-line at www.quoizel.com.

PACKAGE CONTENTS



MOUNTING HARDWARE

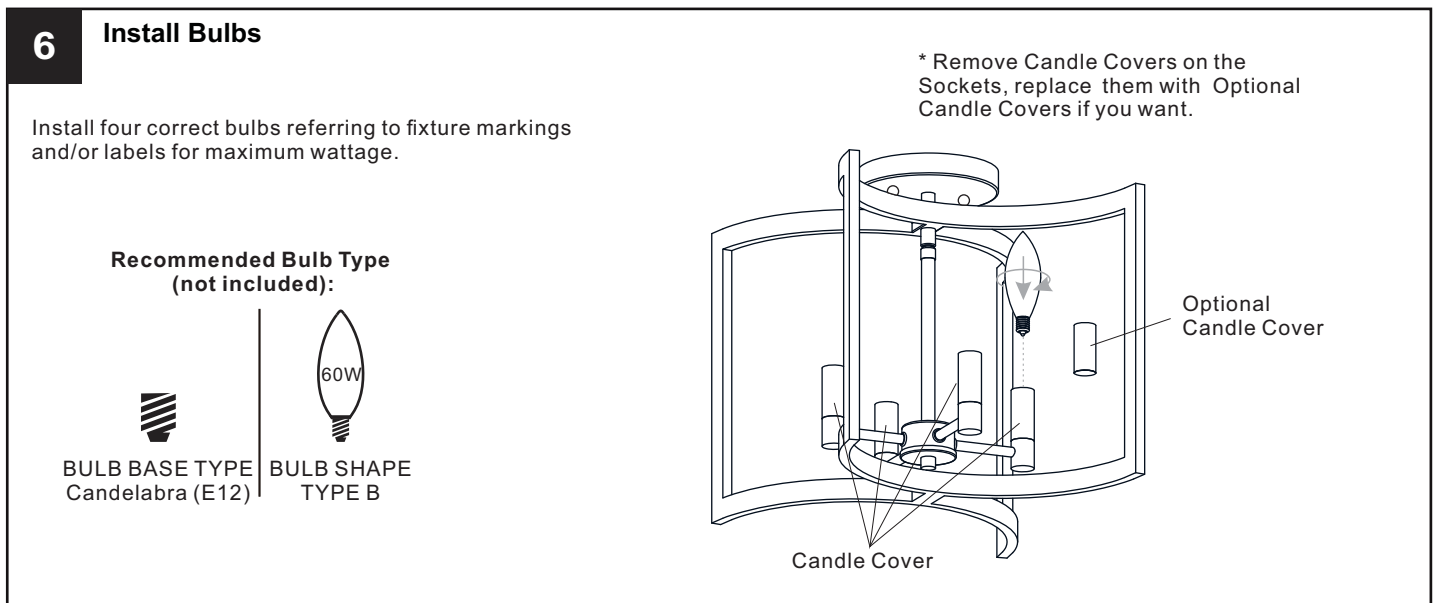
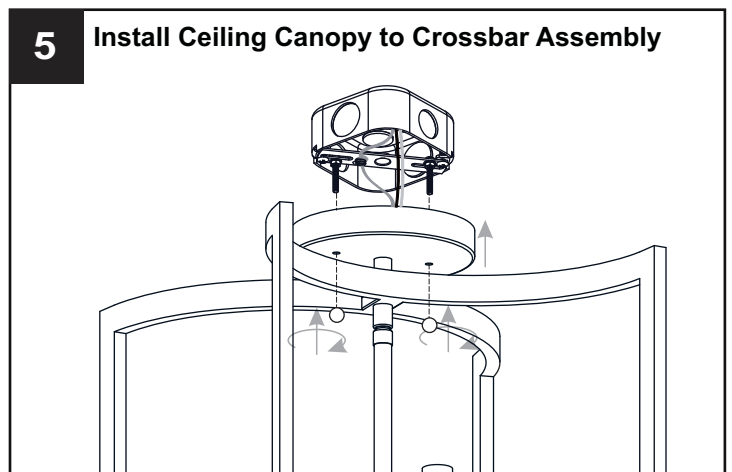
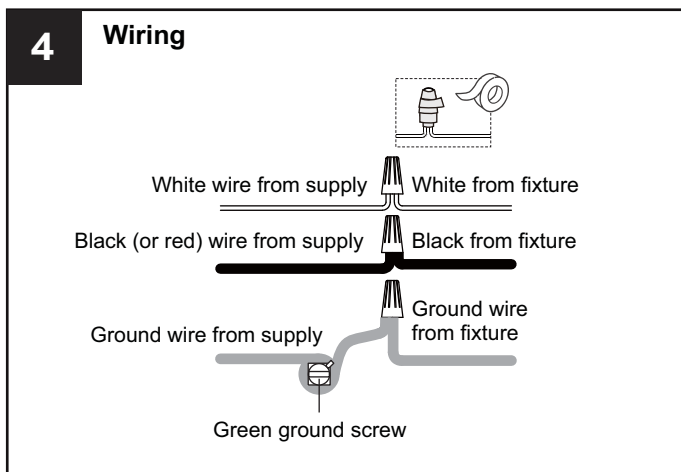
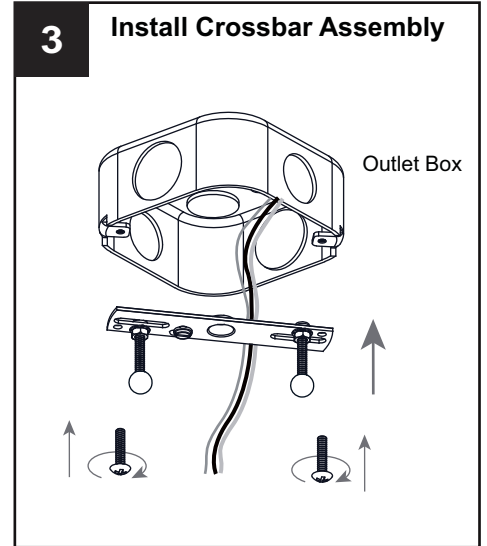
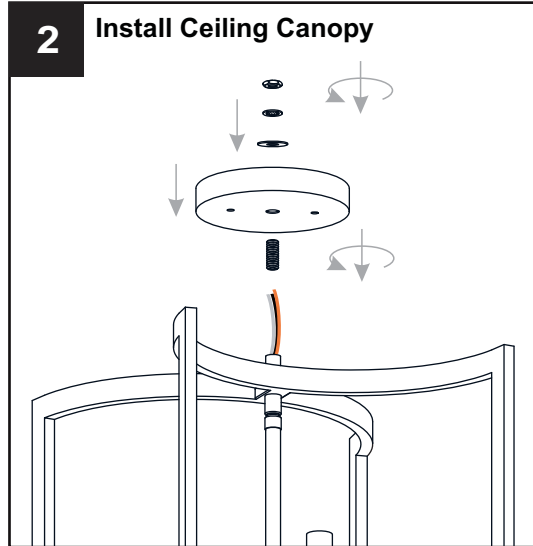
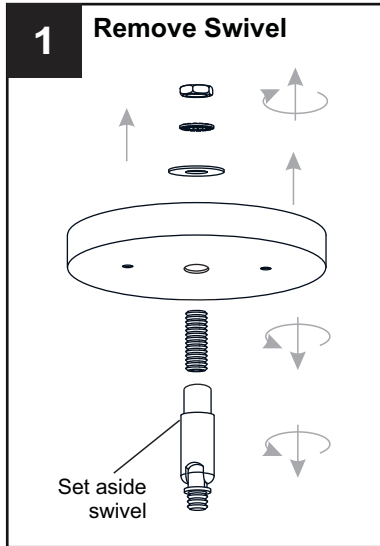
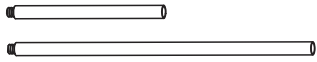


INSTALLATION

IMPORTANT: This CONVERTIBLE fixture can be mounted as pendant light or semi-flush light. **DO NOT CUT SUPPLY WIRES** if you intend to use it as pendant light.

OPTION 1: SEMI-FLUSH BEU1712OZ

* Set aside (2) 6"L Rods and (2) 12"L Rods since they are not required for the semi-flush installation.



INSTALLATION

OPTION 2: PENDANT BEU1512OZ

1 Install Rods

Optional Rods:
 8 Feet Ceiling:
 (2) 12"L Rods.
 9 Feet Ceiling:
 (2) 6"L Rods + (2) 12"L Rods.

2 Tighten hex nut inside of the ceiling canopy

3 Install Ceiling Canopy to Upper Rod

4 Install Crossbar Assembly

Outlet Box

5 Wiring

White wire from supply White from fixture
 Black (or red) wire from supply Black from fixture
 Ground wire from supply Ground wire from fixture
 Green ground screw

6 Install Ceiling Canopy to Crossbar Assembly

90Degree Swivel

For angled ceilings, Swivel opening towards wall.

7 Install Bulbs

Install four correct bulbs referring to fixture markings and/or labels for maximum wattage.

* Remove Candle Covers on the Sockets, replace them with Optional Candle Covers if you want.

Optional Candle Cover

Recommended Bulb Type (not included):

BULB BASE TYPE Candelabra (E12)	BULB SHAPE TYPE B

Candle Cover

Your installation is now complete! Restore electricity and save this sheet for future reference.