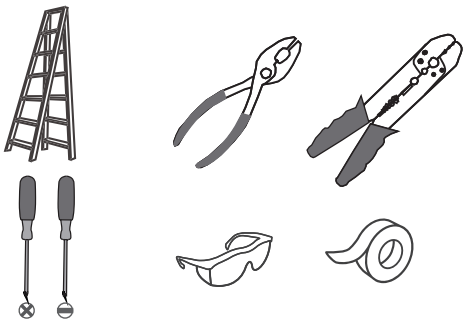
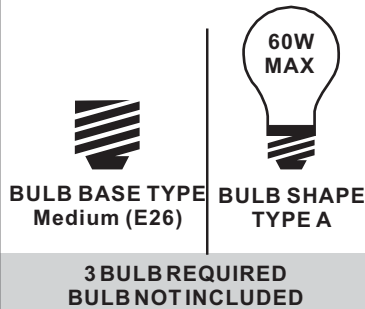


**Tools Required**



**Light Source**



**Fixture Height Adjustable 15.25" to 51.25"**

**Warnings and Cautions**

Turn off the electricity at the circuit breaker before installation. Consult a licensed electrician if in doubt about installation.

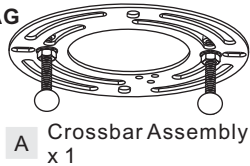
Turn off power to the fixture and allow the bulbs to cool before replacing.

**Package Contents**

**Preparation:** Identify and inspect all parts before beginning the installation.

Missing or damaged parts? Contact your original place of purchase.

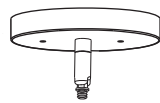
**PARTS BAG**



**B** Outlet Box Screw x 2



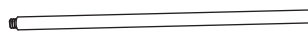
**C** Wire Connector x 3



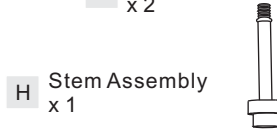
**D** Ceiling Canopy x 1



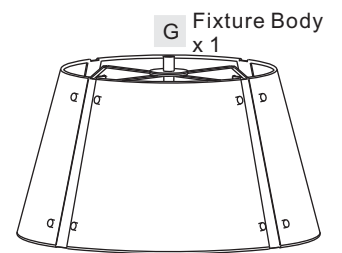
**E** 6" L Rod x 2



**F** 12" L Rod x 2



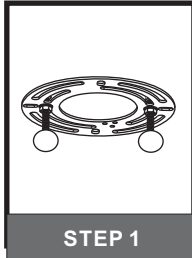
**H** Stem Assembly x 1



**I** Diffuser x 1

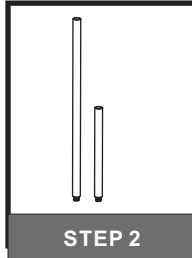
**Table of Contents**

**Crossbar Assembly**



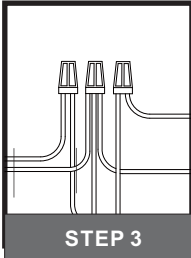
STEP 1

**Downrod**



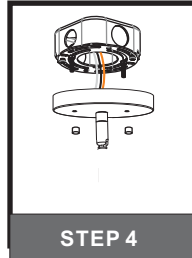
STEP 2

**Wiring**



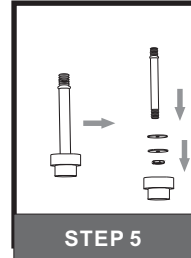
STEP 3

**Ceiling Canopy**



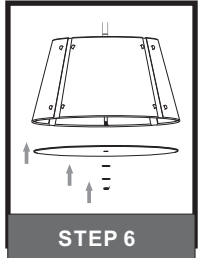
STEP 4

**Stem Assembly**



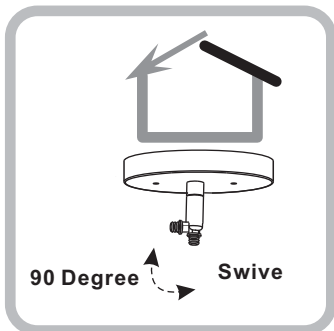
STEP 5

**Diffuser**



STEP 6

**STEP 1**

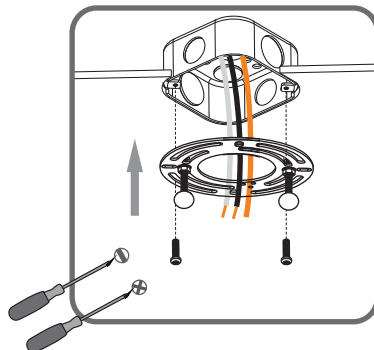


90 Degree Swive

For angled ceilings, Swivel opening towards wall.

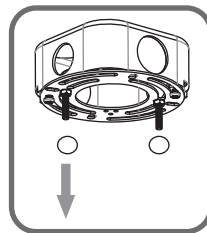
1

Step 1  
Install crossbar assembly

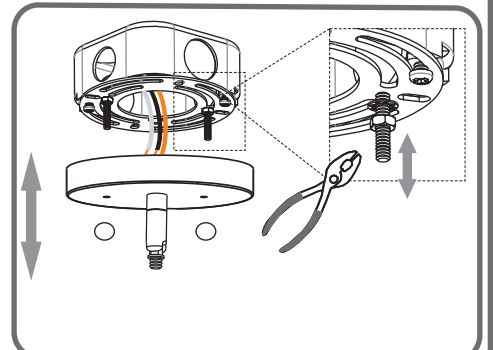


2

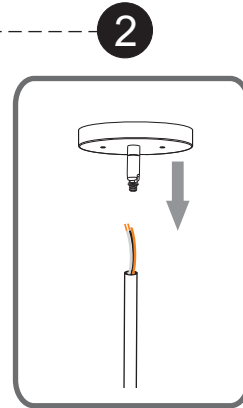
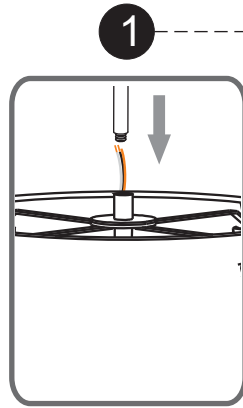
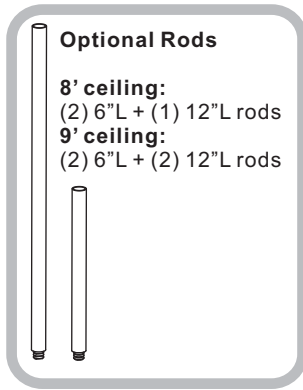
Step 2 - 3  
Test fitting ceiling canopy to mounting screws



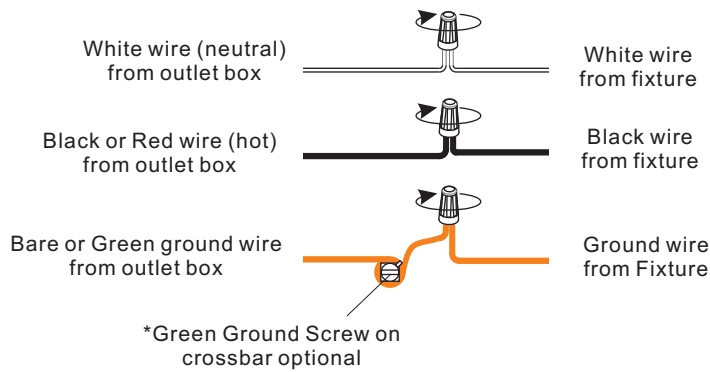
3



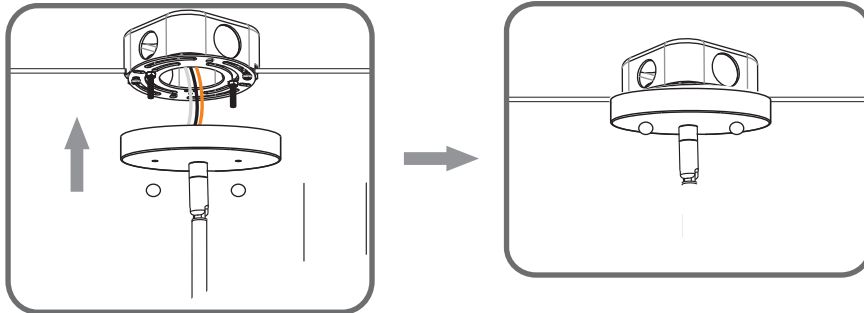
## STEP 2



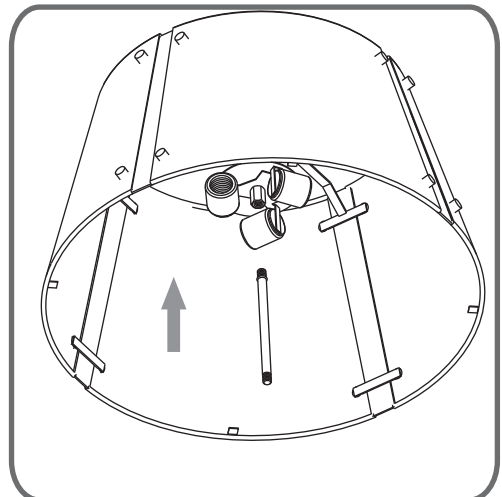
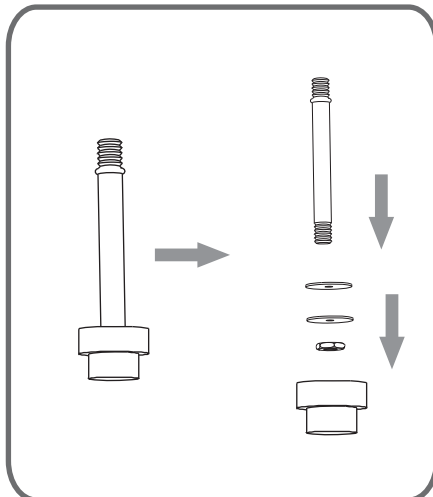
## STEP 3



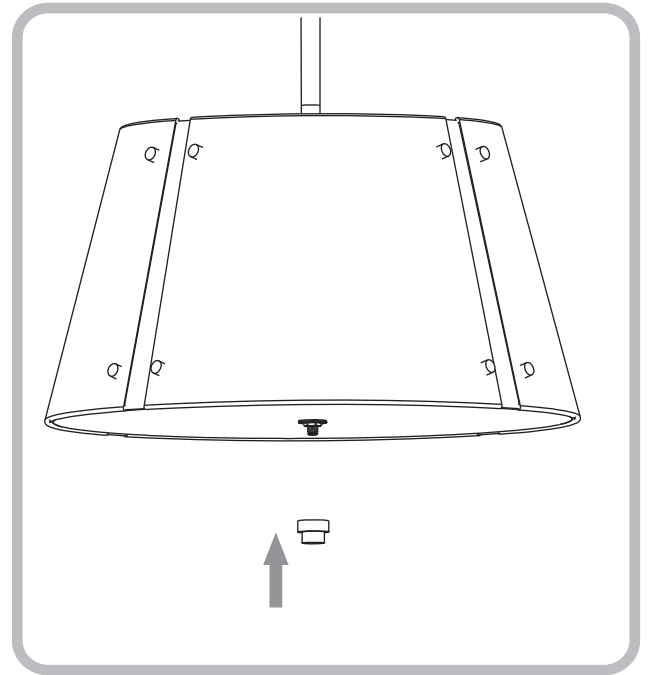
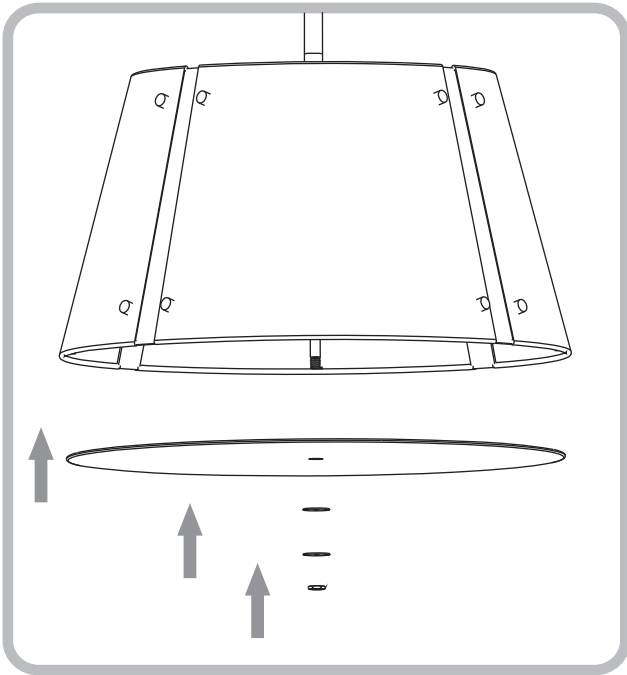
## STEP 4



## STEP 5



**STEP 6**



**STEP 7**

