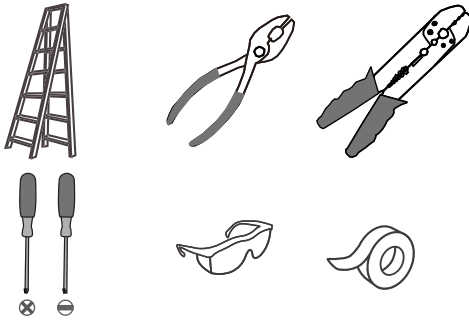
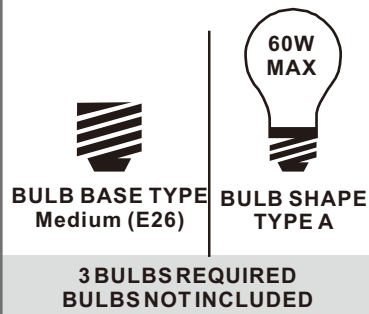


Tools Required



Light Source



Warnings and Cautions

Turn off the electricity at the circuit breaker before installation. Consult a licensed electrician if in doubt about installation.

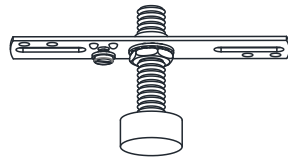
Turn off power to the fixture and allow the bulbs to cool before replacing.

Package Contents

Preparation: Identify and inspect all parts before beginning the installation.

Missing or damaged parts? Contact your original place of purchase.

PARTS BAG



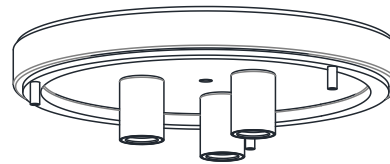
A Crossbar Assembly x 1



B Outlet Box Screw x 2



C Wire Connector x 3



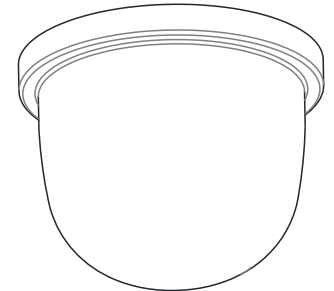
D Fixture Body x 1



E Lock Screw x 3



F Ring x 1



G Glass Shade x 1

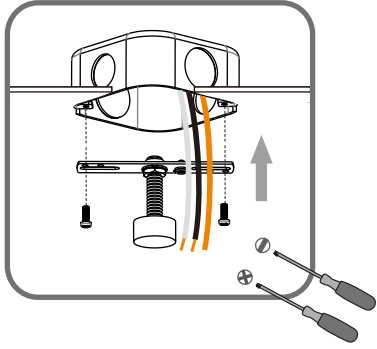
Table of Contents

| Crossbar Assembly | Wiring | Fixture Body | Bulbs | Shade & Ring |
|-------------------|---------------|---------------|---------------|---------------|
| | | | | |
| STEP 1 | STEP 2 | STEP 3 | STEP 4 | STEP 5 |

STEP 1

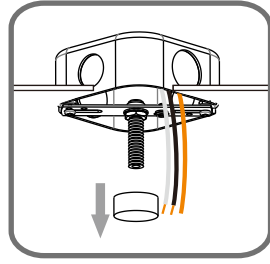
1

Step 1
Install crossbar assembly

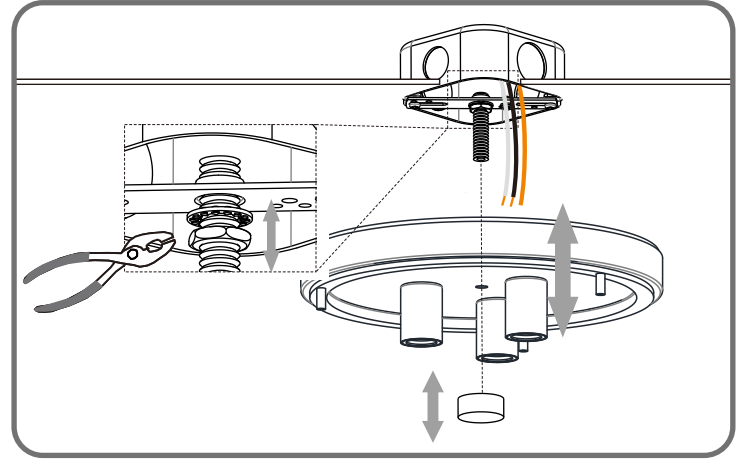


2

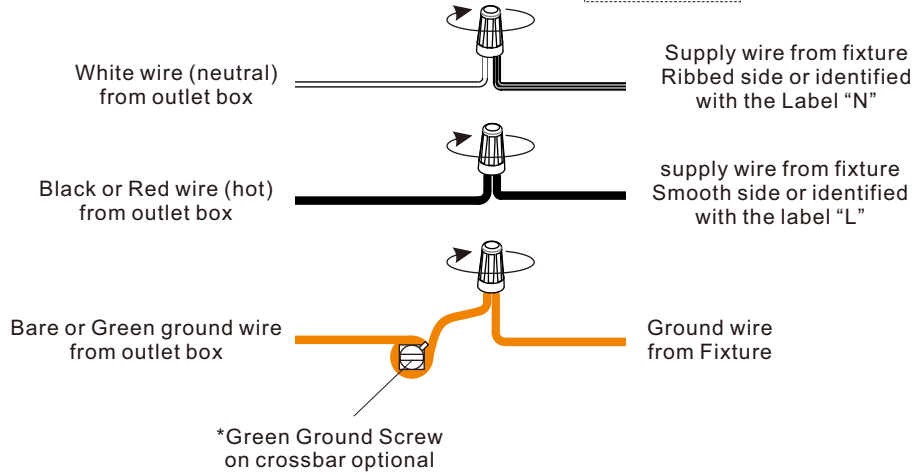
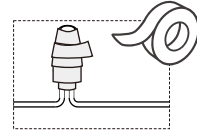
Step 2 - 3
Test fitting ceiling canopy to nipple



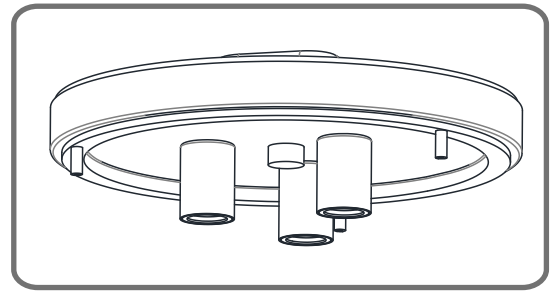
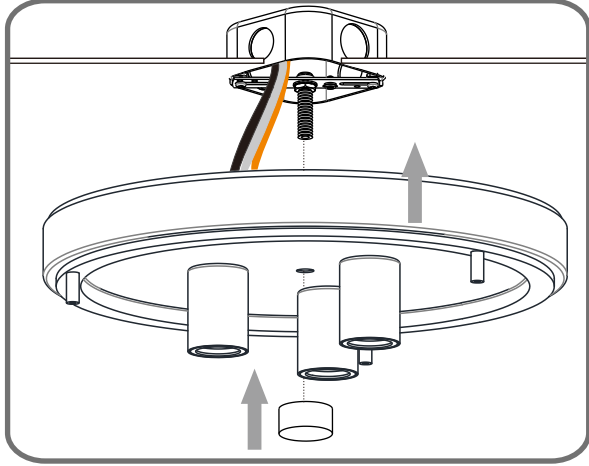
3



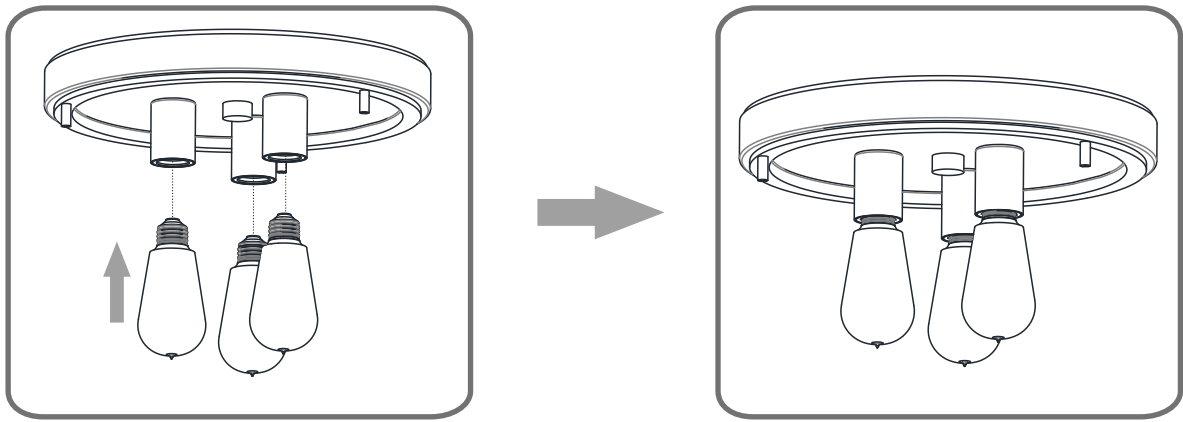
STEP 2



STEP 3



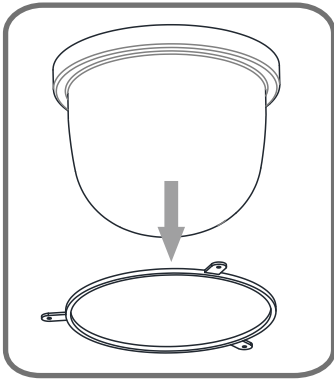
STEP 4



STEP 5

2

Install Shade onto the Ring



3

Install Shade with Ring

