

Please go to [www.quoise.com](http://www.quoise.com) for product cleaning tips. Go to the **Care + Maintenance** selection.

**Tools Required:** Flathead screwdriver, Phillips screwdriver, pliers, wire cutters, wire strippers, electrical tape, safety glasses.

**Light Source:** (2) A19 Medium Base bulbs 60W Maximum, Medium Base Vintage Bulbs are recommended, bulbs not included.

**Estimated Assembly Time:** 30-45 minutes

**Preparation:** Identify and inspect all parts before beginning installation. Check package content list and diagrams below to ensure all parts are present. If any parts are missing or damaged, do not attempt to assemble, install, or operate the fixture. Contact your original place of purchase.

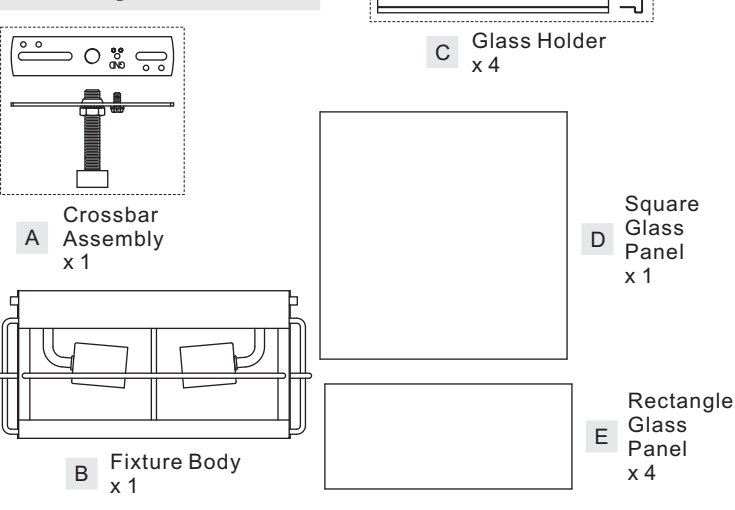
### ⚠ Warnings and Cautions

Turn off electricity at circuit breaker or main fuse box before installation. Consult a licensed electrician if in doubt.

These instructions are provided for your safety. It is very important you read them completely before installing the fixture. We strongly recommend that a licensed, professional electrician perform the installation.

Disconnect fixture from power source before replacing bulbs. Make sure bulbs are given sufficient time to cool before removal.

### Package Contents



### (Step 2 Continued)

- ball.  
D. Remove the mounting ball and the ceiling canopy. Tighten the lock washer and the hex nut against the crossbar to secure in place.

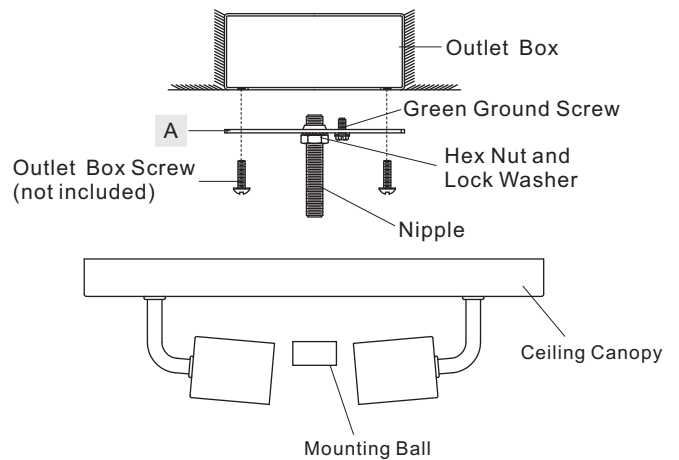


Figure 2

### STEP 1 - Remove Cage from the Fixture Body

- A. Unlock lock screws and remove cage from the Fixture Body (B).

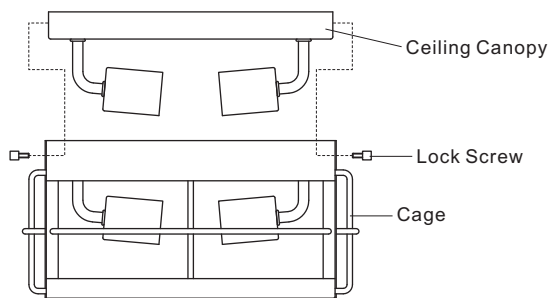


Figure 1

### STEP 2 - Install the Crossbar Assembly to Outlet Box and Adjust the length of the Nipple

- A. Attach the Crossbar Assembly (A) to the outlet box with the head of the green ground screw facing you. Secure it with outlet box screws (not included), tighten until snug.  
B. Remove the mounting ball from the Crossbar Assembly (B). Adjust the hex nut and lock washer underside of the crossbar to the middle of the nipple.  
C. Place the ceiling canopy over the end of the nipple against the ceiling to determine the correct position of the nipple. Thread the mounting ball onto the nipple. Adjust the nipple to allow the ceiling canopy to rest against the ceiling when held in place by the mounting

### STEP 3 - Wire Connections

- A. Wrap bare or green ground wire around green ground screw on the crossbar, no less than 2 inches from the end of the wire. Tighten the green ground screw.  
B. Use standard wire connectors (not included) to make all wire connections. Twist connectors until wires are tightly joined together. Wrap each connection with approved electrical tape and carefully stuff all the connected wires into the Outlet Box.

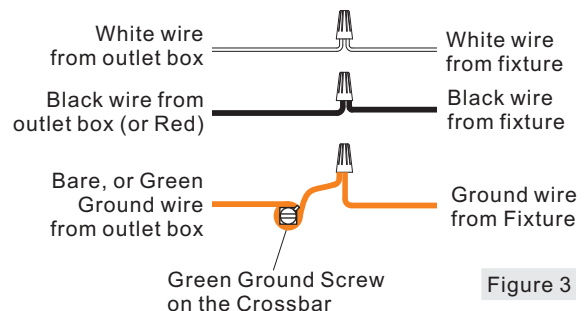


Figure 3

#### STEP 4 - Install the Ceiling Canopy

- A. Place the ceiling canopy over the end of the nipple and secure with previously removed mounting ball. Hand tighten until snug.

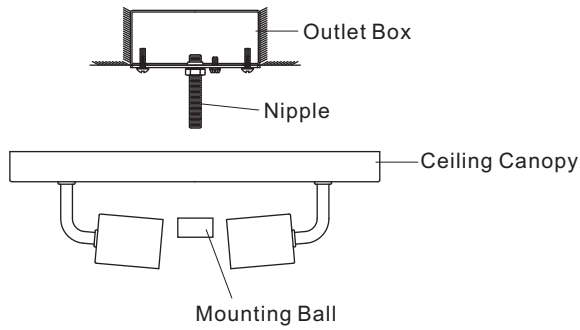


Figure 4

#### STEP 5 - Install Glass Panels

- A. Place the Square Glass Panel (D) in to the bottom of the cage.  
 B. Locate Glass Holders (C) onto four edges of the Square Glass Panel (D).  
 C. Locate Rectangle Glass Panels (E) onto Glass Holders (C). Secure Rectangle Glass Panels (E) by folding tabs in the cage to the top edge of Rectangle Glass Panels (E).

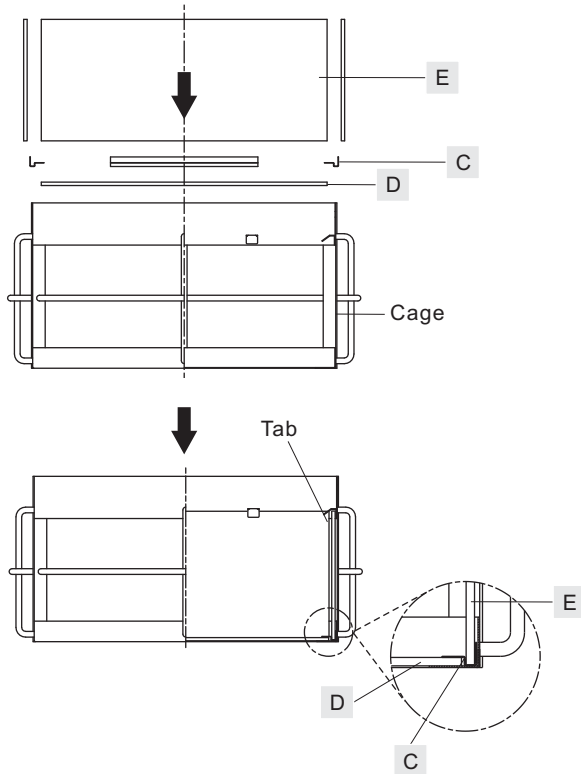


Figure 5

#### STEP 6 - Install Bulbs and Cage with Glass Panels

- A. Insert bulbs onto sockets and screw snugly into place.  
 B. Lift the cage with glass panels upward and attach the cage to the ceiling canopy. Secure by threading previously removed lock screws onto the cage and ceiling canopy. Hand tighten until snug with screwdrivers.

Your fixture is now assembled and ready to use. Enjoy!

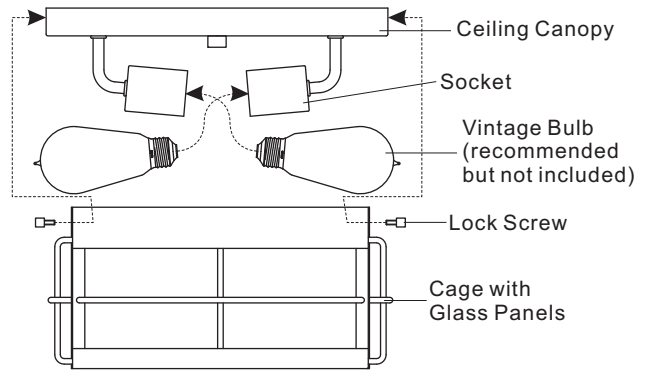
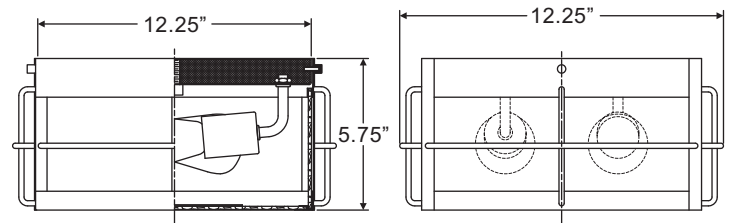
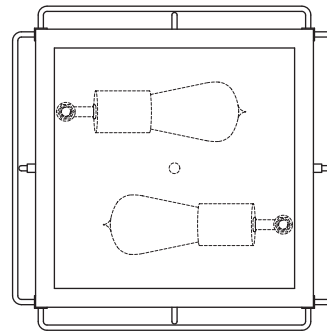
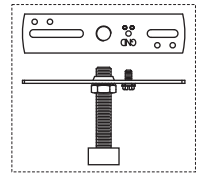


Figure 6

WAR1612GZ

FINISH: GILDED BRONZE



NOTE: ALL DIMENSIONS ARE ROUNDED UP TO THE NEAREST 1/4"