

Please go to www.quezel.com for product cleaning tips. Go to the **Care + Maintenance** selection.

Tools Required: Flathead screwdriver, Phillips screwdriver, pliers, wire cutters, wire strippers, electrical tape, safety glasses, marking pen, 1/4" drill bit and drill.

Light Source: Integrated LED 20W.

Estimated Assembly Time: 20-30 minutes

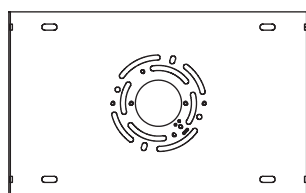
Preparation: Identify and inspect all parts before beginning installation. Check package content list and diagrams below to ensure all parts are present. If any parts are missing or damaged, do not attempt to assemble, install, or operate the fixture. Contact your original place of purchase.

⚠ Warnings and Cautions

Turn off electricity at circuit breaker or main fuse box before installation. Consult a licensed electrician if in doubt.

These instructions are provided for your safety. It is very important you read them completely before installing the fixture. We strongly recommend that a licensed, professional electrician perform the installation.

Package Contents



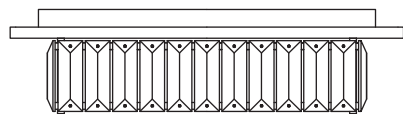
A Inner Backplate
x 1

B Mounting Screw
x 4

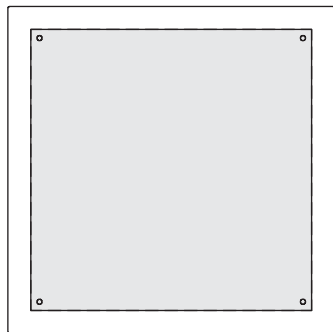
C Wall Anchor
x 4

D Screw
x 4

E Washer
x 4



F Fixture Body
x 1



G Diffuser
x 1

H Rubber Washer
x 4

I Lock Screw
x 4

(Step 1 Continued)

B. Remove the Inner Backplate (A). Using a 1/4" drill bit, drill holes at each (4) locations marked on the ceiling.

C. Insert Wall Anchors (C) into drilled holes completely.

D. Pass supply wires and ground wire through the center hole of the Inner Backplate (A) to outlet box. Thread outlet box screws (not included) into mounting holes on the outlet box. Pass Washers (E) over Screws (D) and thread Screws (D) into Wall Anchors (C). Hand tighten until snug with screwdrivers.

STEP 2 - Attach Lanyards

A. The purpose of the lanyard is to provide a means to support the fixture hands free from the junction box while connecting the electrical wires.

B. Turn the Button Stop so it may be inserted into a Inner Backplate slot. Make sure the Button Stop is completely inside the Inner Backplate. Slowly release the fixture to make sure it is supported by the Button Stop. Proceed to the wiring steps in the next step. Once you are complete with the wiring, the Lanyard will push into the junction box when the fixture is placed for final mounting.

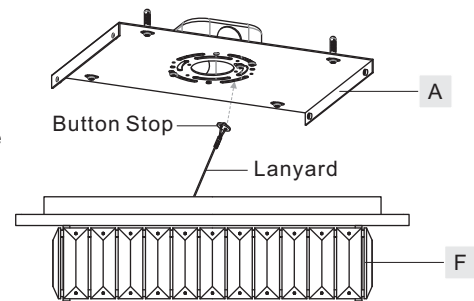


Figure 2

STEP 1 - Attach Inner Backplate to Outlet Box

A. Attach the Inner Backplate (A) onto the outlet box and make four marks on the ceiling from a set of slot holes.

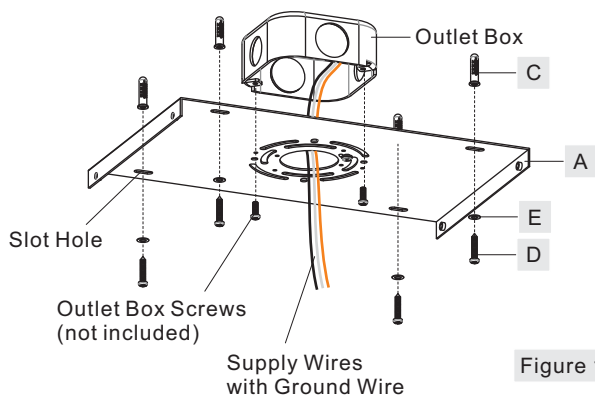


Figure 1

STEP 3 - Wire Connections

A. Wrap bare or green ground wire around green ground screw on the crossbar, no less than 2 inches from the end of the wire. Tighten the green ground screw.

B. Use standard wire connectors (not included) to make all wire connections. Twist connectors until wires are tightly joined together. Wrap each connection with approved electrical tape and carefully stuff all the connected wires into the Outlet Box.

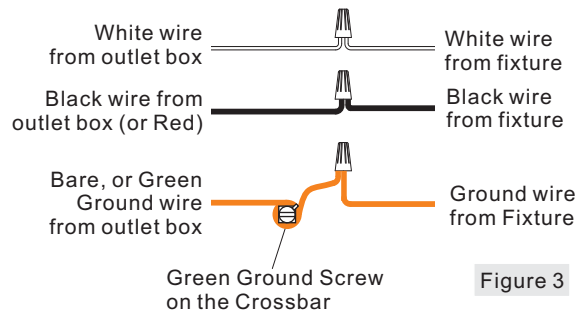


Figure 3

STEP 4 - Install the Fixture Body

- A. Thread Mounting Screws (B) into mounting holes on the side of the Inner Backplate (A). Do not thread all screws in.
- B. Carefully tuck all wires into the outlet box. Fit the slots on the ceiling canopy with the Mounting Screws (B) and push the ceiling canopy until it is hung safely on Mounting Screws (B).
- C. By using screwdrivers, tighten Mounting Screws (B) until snug to secure the ceiling canopy.

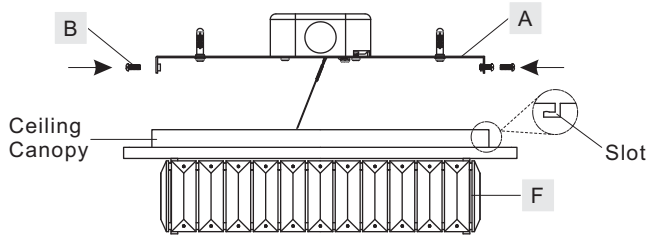


Figure 4

STEP 5 - Install the Diffuser

- A. Place the Diffuser (G) onto the Fixture Body (F) with the print screen side against the crystals. Place the Rubber Washer (H) and thread the Lock Screw (I) onto the support rod to secure the Diffuser (G). Hand tighten until snug.

Your fixture is now assembled and ready to use. Enjoy!

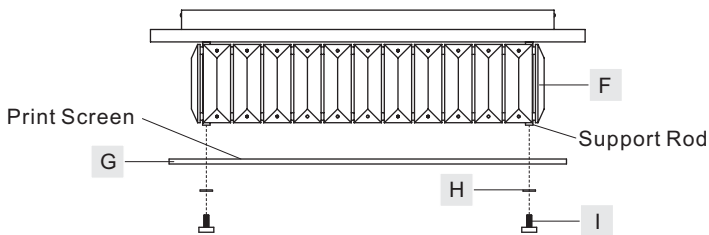
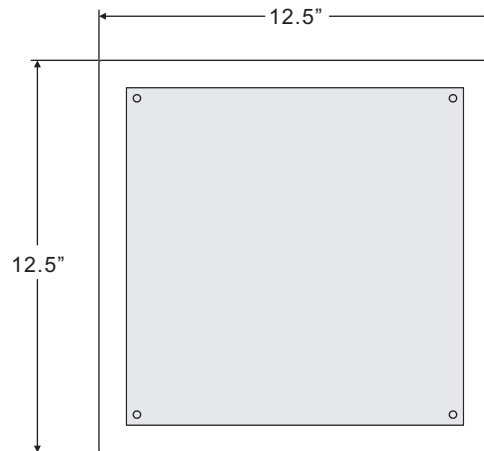
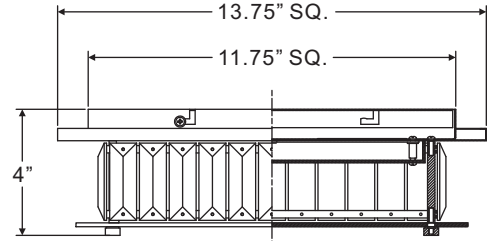
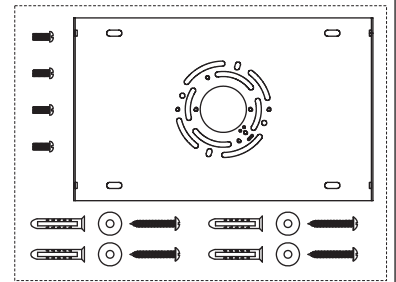


Figure 5

PCBK1614C

FINISH: POLISHED CHROME



NOTE: ALL DIMENSIONS ARE ROUNDED UP TO THE NEAREST 1/4"