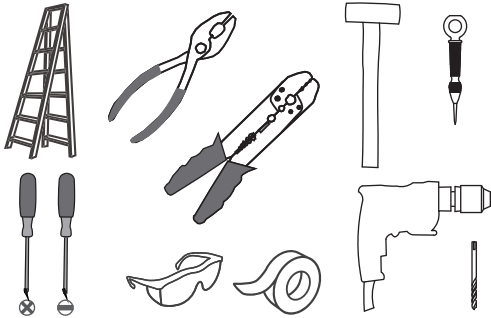
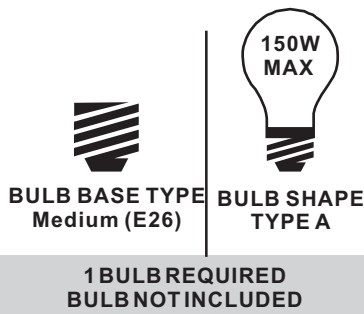


Tools Required



Light Source



⚠ Warnings and Cautions

Turn off the electricity at the circuit breaker before installation. Consult a licensed electrician if in doubt about installation.



Turn off power to the fixture and allow the bulbs to cool before replacing.

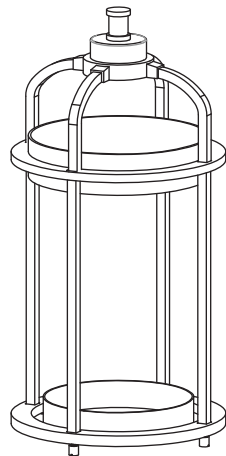
Package Contents

Preparation: Identify and inspect all parts before beginning the installation.

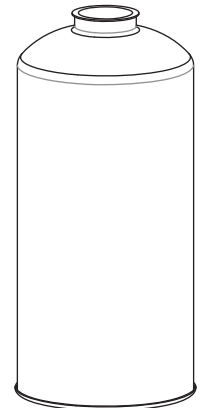
Missing or damaged parts? Contact your original place of purchase.

PARTS BAG

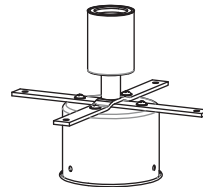
-  **A** Mounting Screw x 3
-  **B** Wire Connector x 3



C Cage x 1

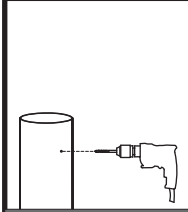
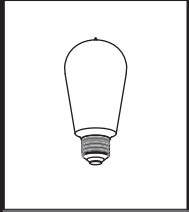

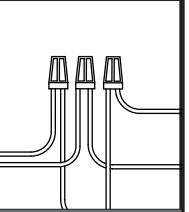
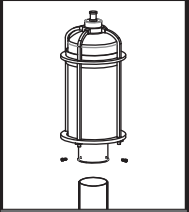


D Glass Shade x 1



E Socket Assembly x 1

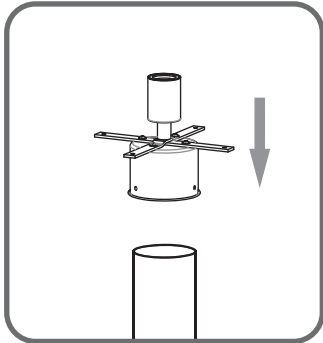
Table of Contents

Drill Holes	Bulb	Glass Shade	Wiring	Socket Assembly
				
STEP 1	STEP 2	STEP 3	STEP 4	STEP 5

STEP 1

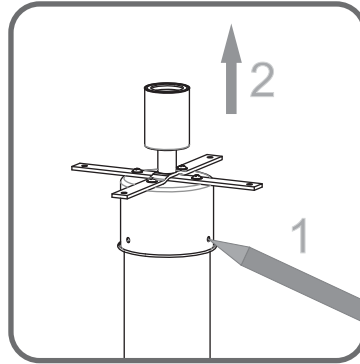
1

Step 1
Place Post Fitter to Post

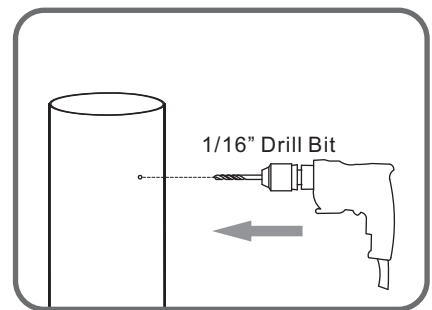
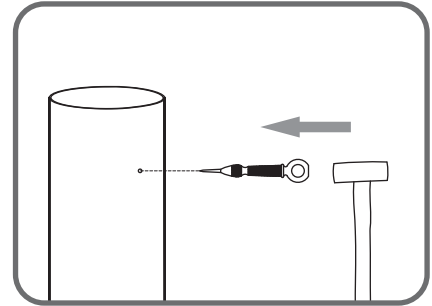


2

Step 2-3
Mark Mounting Holes Location on Post



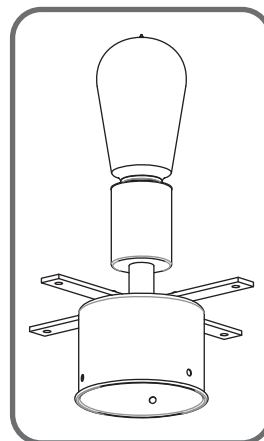
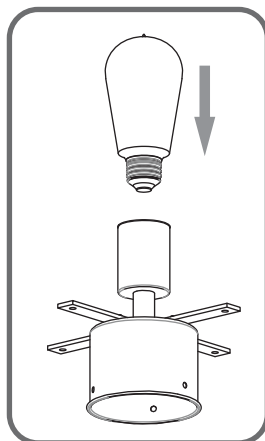
3



Step 4
Drill Holes

4

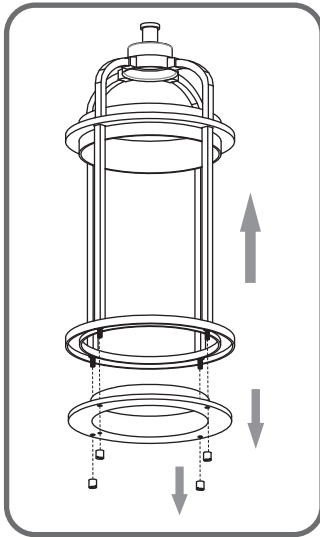
STEP 2



STEP 3

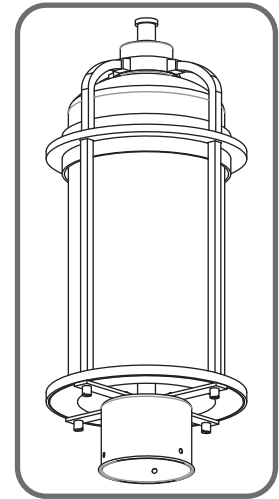
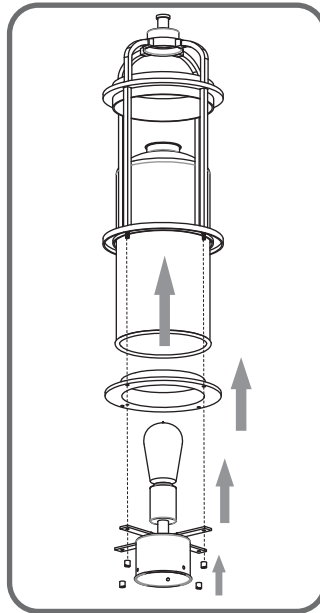
1

Remove glass holder

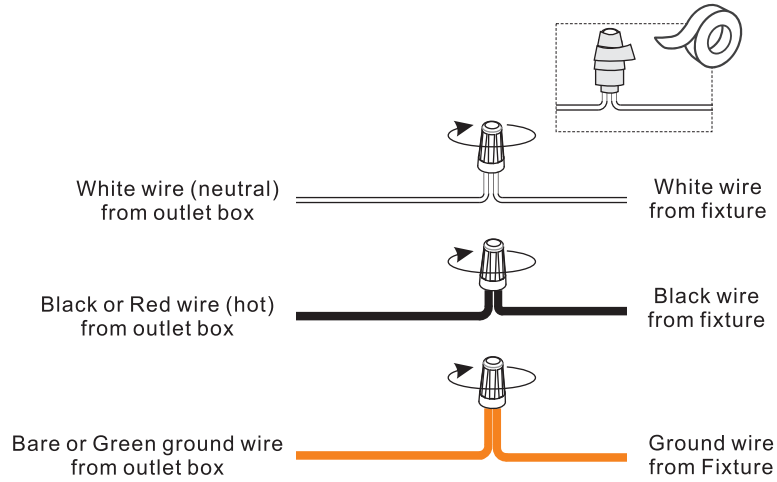


2

Install glass, glass holder and socket assembly



STEP 4



STEP 5

