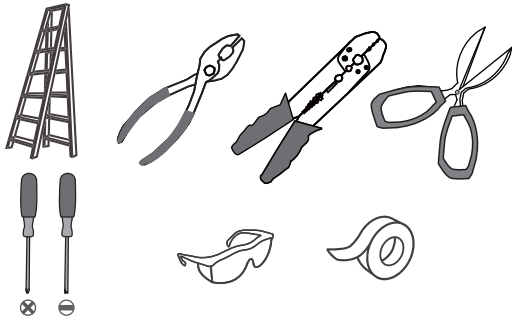
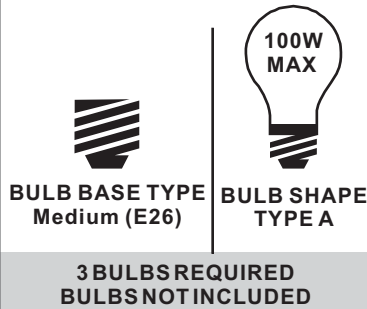


Tools Required



Light Source



**Fixture Height Adjustable
10.25" to 46.25"**

⚠ Warnings and Cautions

Turn off the electricity at the circuit breaker before installation. Consult a licensed electrician if in doubt about installation.

Turn off power to the fixture and allow the bulbs to cool before replacing.

Package Contents

Preparation: Identify and inspect all parts before beginning the installation.

Missing or damaged parts? Contact your original place of purchase.

PARTS BAG

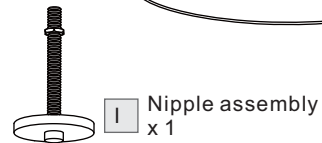
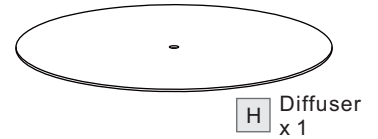
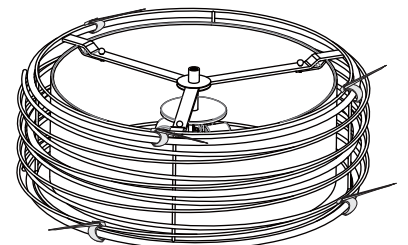
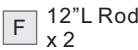
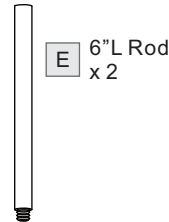
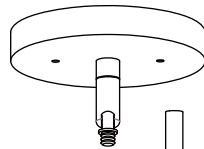
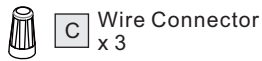
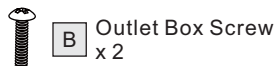
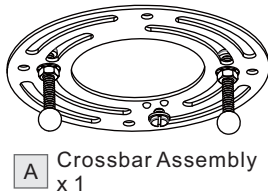
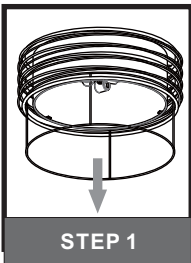
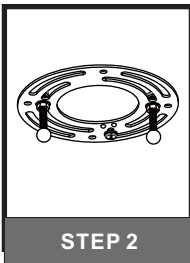


Table of Contents

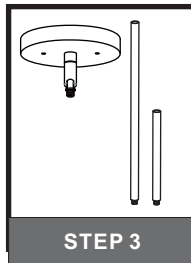
Remove support cage



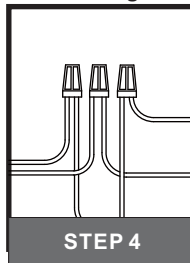
Crossbar Assembly



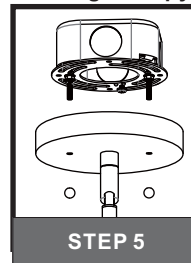
Ceiling Canopy Assembly & Downrod



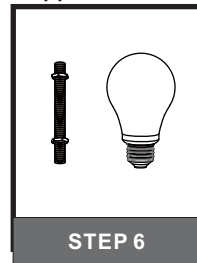
Wiring



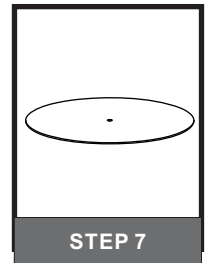
Ceiling Canopy



Nipple and Bulb



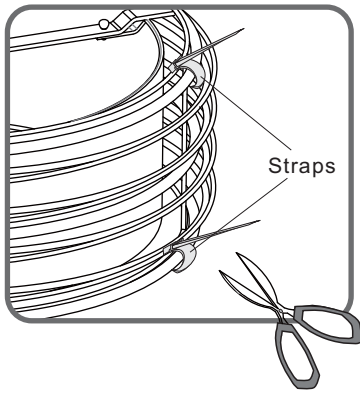
Diffuser



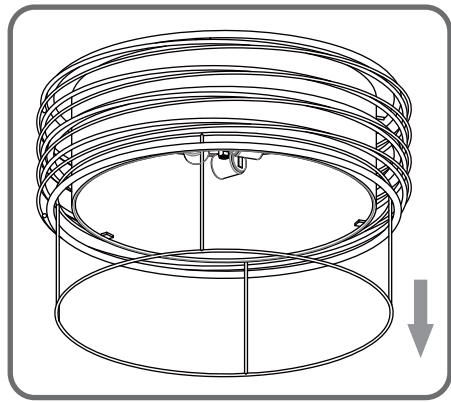
STEP 1

1 ----- 2

Cut straps



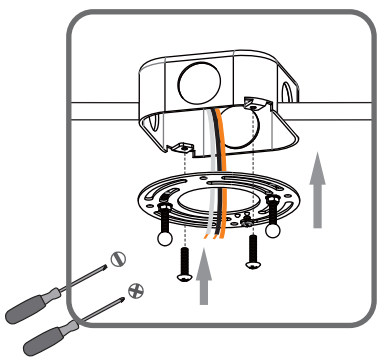
Remove support cage



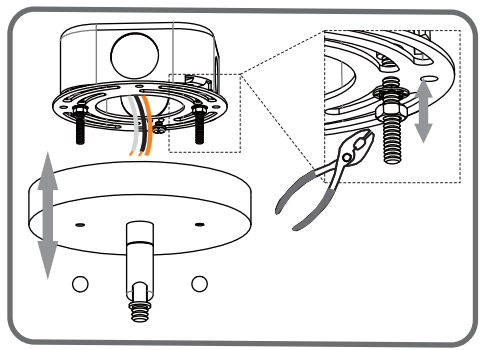
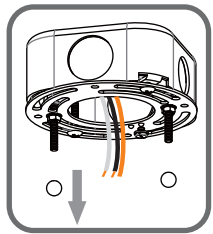
STEP 2

1 ----- 2 ----- 3

**Step 1
Install crossbar assembly**



**Step 2 - 3
Test fitting ceiling canopy to
mounting screws**



STEP 3

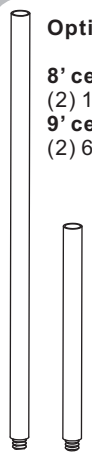
OPTION 1

Pendant — SPL2820K, SPL2820LG

Optional Rods

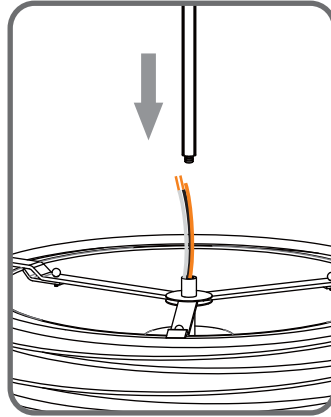
8' ceiling:
(2) 12"L rods

9' ceiling:
(2) 6"L + (2) 12"L rods



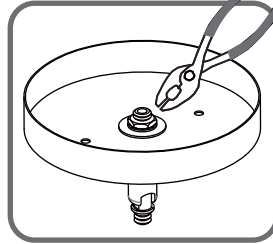
1

Install rods



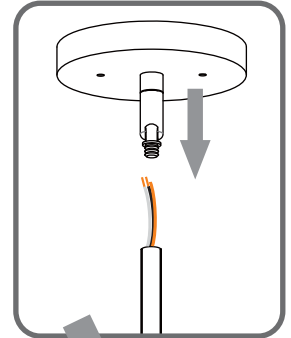
2

Tighten hex nut inside of the ceiling canopy



3

Install Ceiling Canopy

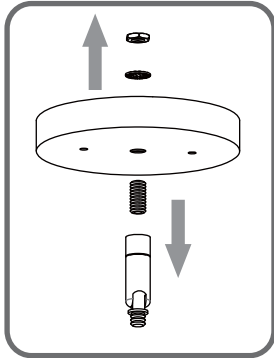


OPTION 2

Semi-flush — SPL1720K, SPL1720LG

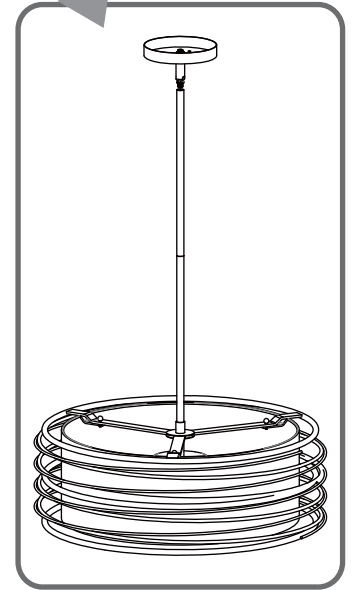
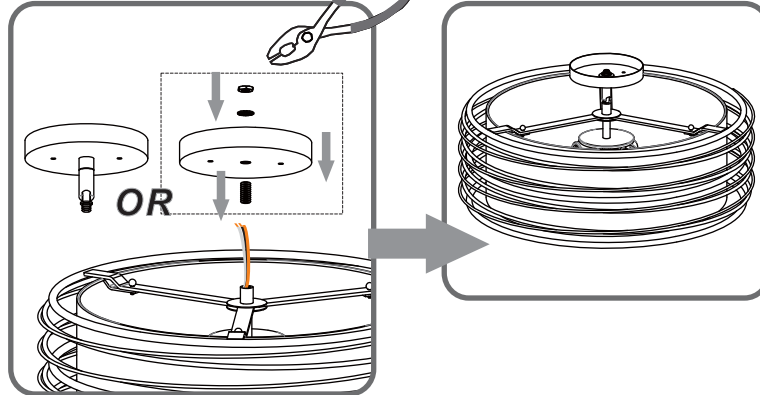
1

Optional: Remove swivel

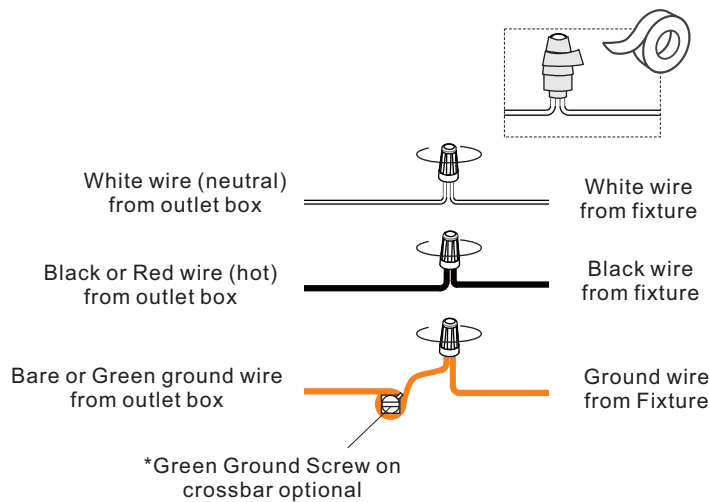


2

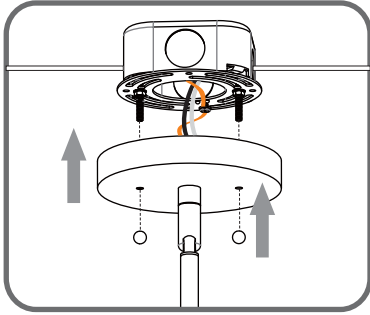
Install ceiling canopy



STEP 4

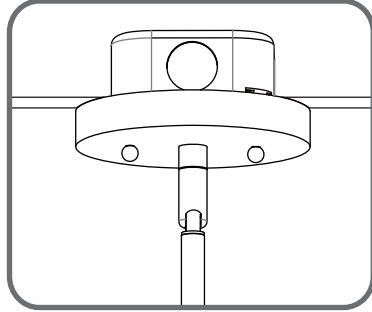


STEP 5



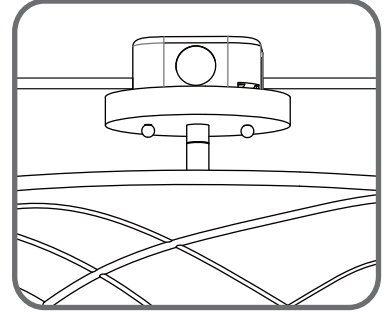
OPTION 1

SPL2820K, SPL2820LG



OPTION 2

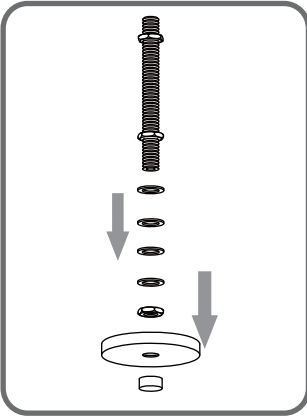
SPL1720K, SPL1720LG



STEP 6

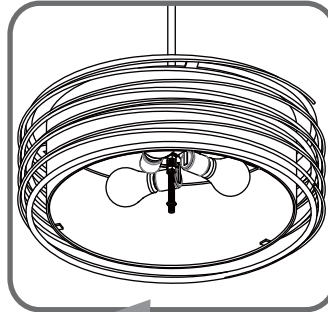
1

Remove finial, cap, (1) hex nut and washers from nipple



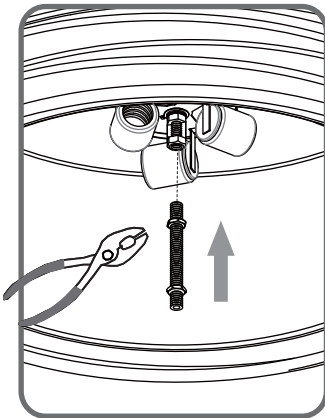
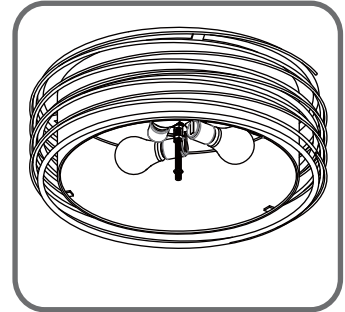
OPTION 1

SPL2820K, SPL2820LG

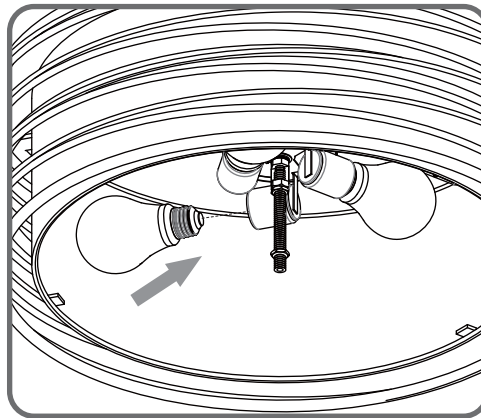


OPTION 2

SPL1720K, SPL1720LG



Install nipple with hex nuts



Install bulb

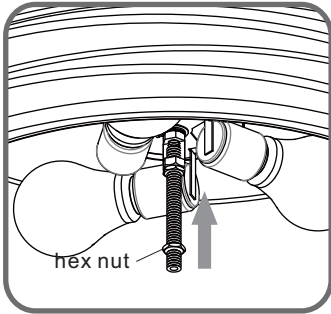
2

3

STEP 7

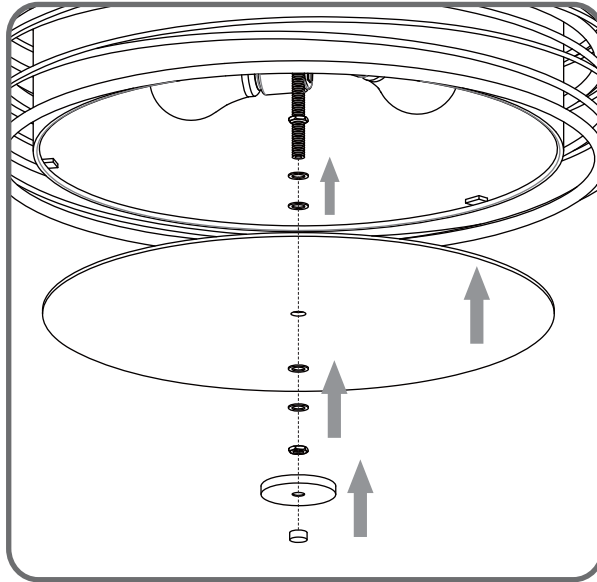
1

Turn the hex nut upward



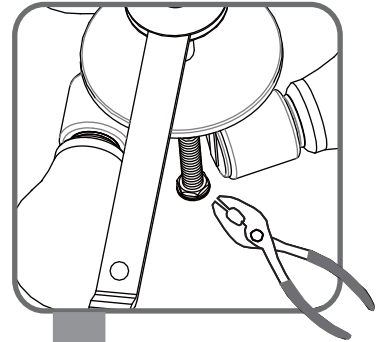
2

Install diffuser and finial



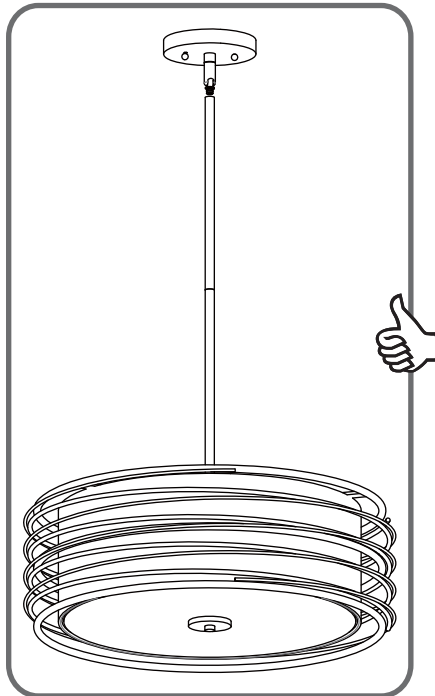
3

Tighten hex nut against the diffuser



OPTION 1

SPL2820K, SPL2820LG



OPTION 2

SPL1720K, SPL1720LG

