

Please go to www.quoise.com for product cleaning tips. Go to the **Care + Maintenance** selection.

Tools Required: Flathead screwdriver, Phillips screwdriver, pliers, wire cutters, wire strippers, electrical tape, safety glasses, marking pen, 1/8" drill bit and drill.

Light Source: Integrated LED 37W

Estimated Assembly Time: 30-45 minutes

Preparation: Identify and inspect all parts before beginning installation. Check package content list and diagrams below to be sure all parts are present. If any parts are missing or damaged, do not attempt to assemble, install, or operate the fixture. Missing Parts? Contact your original place of purchase.

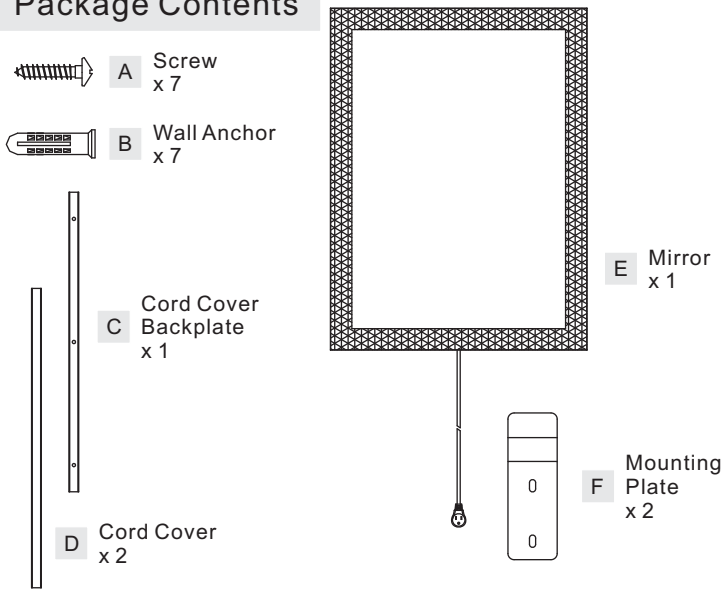
Note: *This mirror can be mounted over an electrical outlet box or on the wall and plugged into an outlet.*

⚠ Warnings and Cautions

Turn off electricity at circuit breaker or main fuse box before installation. Consult a licensed electrician if in doubt.

These instructions are provided for your safety. It is very important you read them completely before installing the fixture. We strongly recommend that a licensed, professional electrician perform the installation.

Package Contents

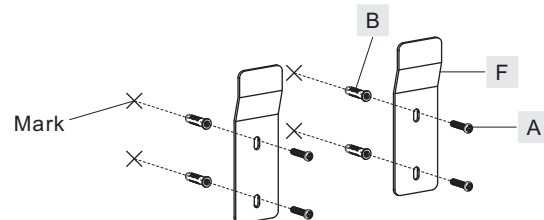


(Step 1A Continued)

Place the template or the mirror on the wall in the location selected for the mirror. Make sure the template or mirror is level and in the correct position. Secure the template to the wall then mark the locations of the 4 wall anchors as indicated on the template. Remove the template from the wall.

Step 2A - Installing 4 Wall Anchors and Screws

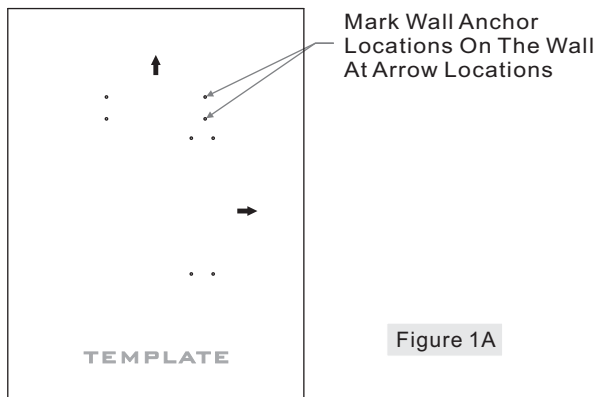
- Using a 1/8" drill bit, drill holes at each (4) locations marked on the wall surface.
- Insert Wall Anchors (B) into drilled holes completely.
- Attach Mounting Plates (F) to the Wall Anchors (B) and secure by threading Screws (A) into Wall Anchors (B). Hand tighten until snug with screwdrivers.



DIRECT MOUNTING MIRROR TO THE WALL

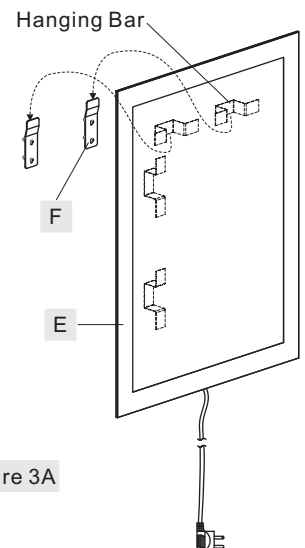
Step 1A - Identify Locations for Wall Anchors

- The template is provided to assist you in mounting the mirror. The template is a full size drawing of your mirror and includes the wall anchor mounting locations that can easily be transferred to the wall, or use the mirror.



STEP 3A - Hang Mirror

- With the help of another person place the hanging bar on the back of the Mirror (E) onto Mounting Plates (F). Making sure hanging bar is securely hung onto Mounting Plates (A) before letting go of the Mirror (E).



STEP 4A – Install Cord Cover Backplate and Cover Covers

- Align the Cord Cover Backplate (C) to your desired location on the wall. Mark the mounting locations on the wall from the holes on the Cord Cover Backplate (C).
- Drill a hole for Wall Anchors (B) at each location identified with a 1/8" drill bit. Place the Wall Anchor (B) into each hole.
- Attach the Cord Cover Backplate (C) by using Screws (A). Tighten until snug with screwdrivers.
- Place the plug cord inside the Cord Cover Backplate (C). Press Cord Covers (D) onto the Cord Cover Backplate (C) in the desired location.

Clean glass with household glass cleaner. Your installation is completed and ready to use. Enjoy!

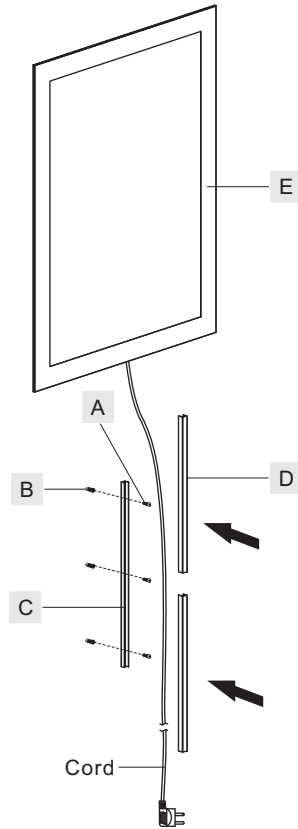
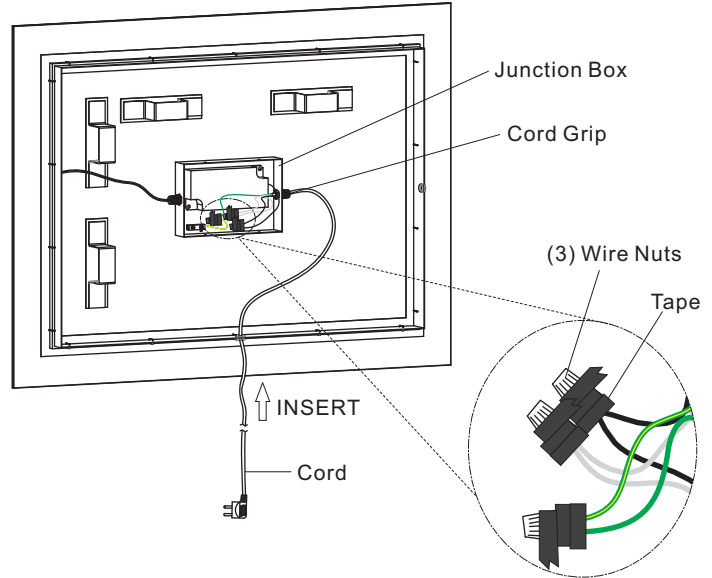


Figure 4A

Step 2B – Insert Cord for Horizontal Mounting and Making the Wire Connections

- Place the cord to the new location for horizontal mounting. Pass the cord through the cord grip and insert it into the junction box.
- Twist (3) wire nuts until wires are tightly joined together. Wrap each connection with approved electrical tape.
- Tight the cord grip on the junction box.
- Follow Step 1B to attach the cover back onto the junction box.
- Go to Steps 1A - 3A to hang mirror on the wall.
- Go to Step 4A to install the cord covers.



White wire from mirror backplate Wire Nut White wire from cord

Black wire from mirror backplate Wire Nut Black wire from cord

Green ground wire from mirror backplate Wire Nut Green Ground wire from Cord

Figure 2B

MOUNTING MIRROR IN THE HORIZONTAL

Step 1B – Changing the Cord from the Vertical Mounting to Horizontal Mounting When Using the Cord to Plug into an Outlet

- Place the Mirror (E) onto a flat working surface with the back facing you. By using screwdriver, loosen screws to remove the cover from the junction box on the back of the Mirror (E).
- Tear off tape on (3) wire nuts and untwist wire nuts to separate wires.
- Loosen cord grip on the junction box and carefully pull the cord out of the mirror backplate.

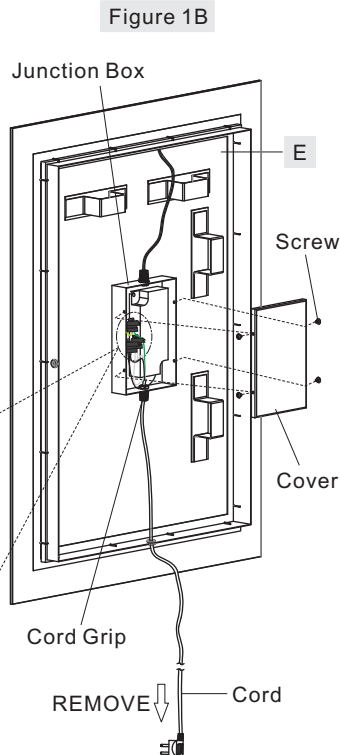


Figure 1B

DIRECT WIRE OVER AN ELECTRICAL OUTLET BOX

Step 1C – Cut Cord

- Use wire cutter, cut the cord near the mirror backplate and discard the plug end. Carefully pull the other end of the cord into the mirror backplate.
- Determine the electrical outlet box location behind the mirror. Leave approximately 8" cord extending to the outlet box location.
- Go to Step 2C to connect wires.
- Go to Steps 1A - 3A to mount the mirror to the wall.

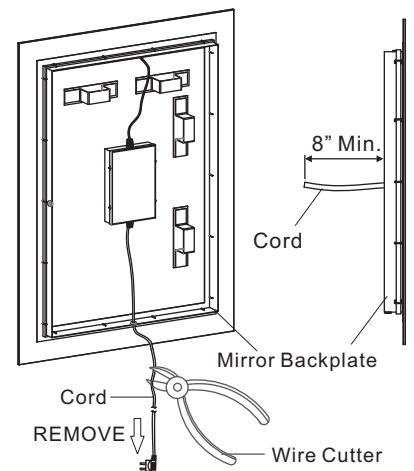


Figure 1C

STEP 2C - Wire Connections

- A. Wrap bare or green ground wire around green ground screw on the crossbar, no less than 2 inches from the end of the wire. Tighten the green ground screw.
- B. Strip back the wire covering the 3 fixture wires as far as you need to. This will expose each fixture wire individually. Strip each end of 3 fixture wires.
- C. Use standard wire connectors (not included) to make all wire connections. Twist connectors until wires are tightly joined together. Wrap each connection with approved electrical tape and carefully stuff all the connected wires into the Outlet Box.

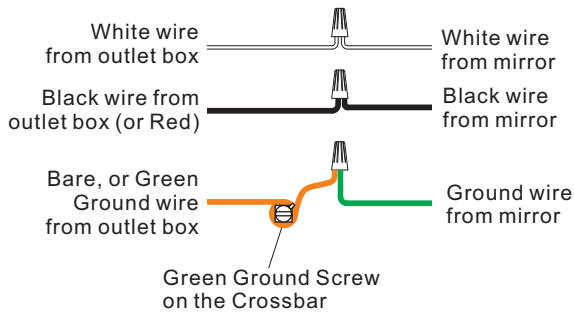
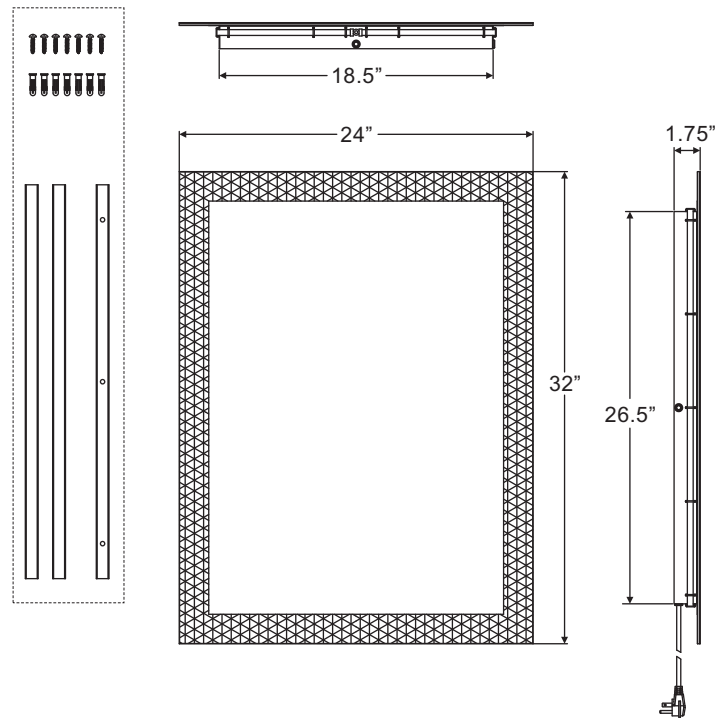


Figure 2C

QR3700



NOTE: ALL DIMENSIONS ARE ROUNDED UP TO THE NEAREST 1/4"

Clean glass with household glass cleaner. Your installation is completed and ready to use. Enjoy!