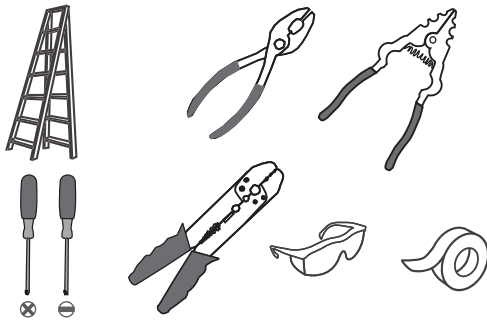
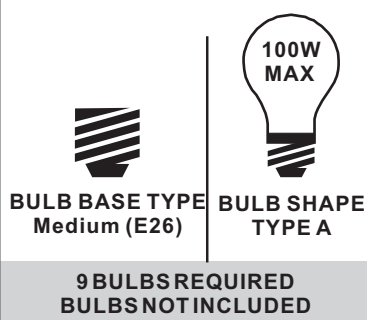


Tools Required



Light Source



**Fixture Height Adjustable
34.25" to 130.25"**

Warnings and Cautions

Turn off the electricity at the circuit breaker before installation. Consult a licensed electrician if in doubt about installation.

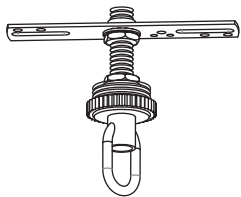
Turn off power to the fixture and allow the bulbs to cool before replacing.

Package Contents

Preparation: Identify and inspect all parts before beginning the installation.

Missing or damaged parts? Contact your original place of purchase.

PARTS BAG



A Crossbar Assembly x 1



B Outlet Box Screw x 2



C Wire Connector x 3



D Quick Link x 2



E Fixture Chain x 1

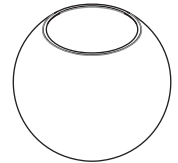


F Ceiling Canopy x 1

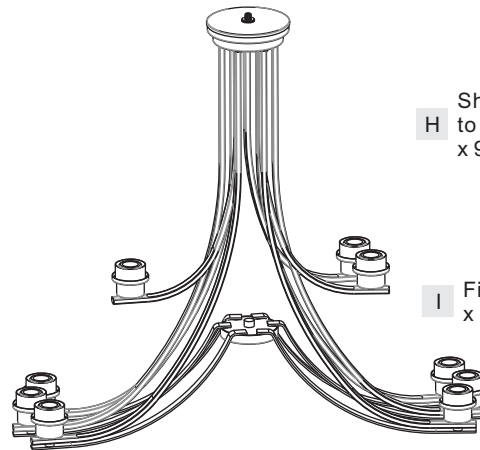


G Fixture Loop x 1

Note: Shade shape is for illustration purpose only. Your shade shape may vary from illustration.



H Shade (Varies according to style purchased) x 9



I Fixture Body x 1

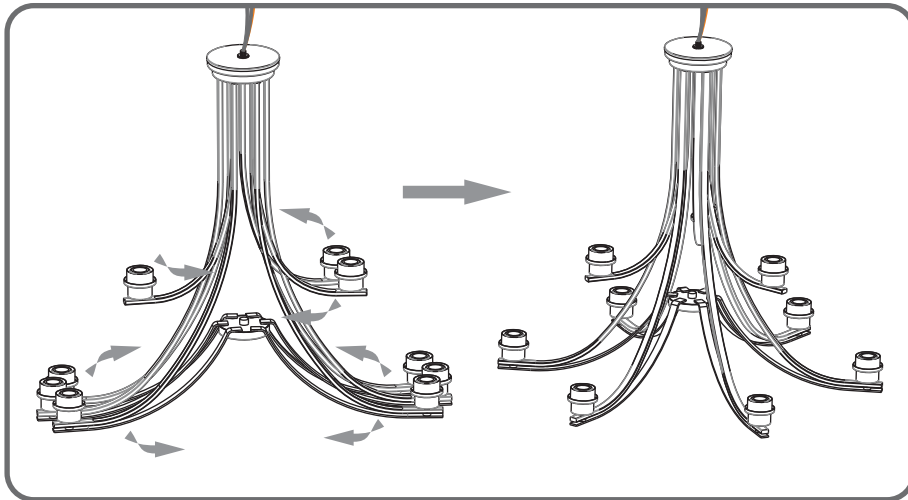
Table of Contents

Fixture Loop	Crossbar Assembly	Fixture Chain	Wiring	Ceiling Canopy	Shade & Bulb
STEP 1	STEP 2	STEP 3	STEP 4	STEP 5	STEP 6

STEP 1

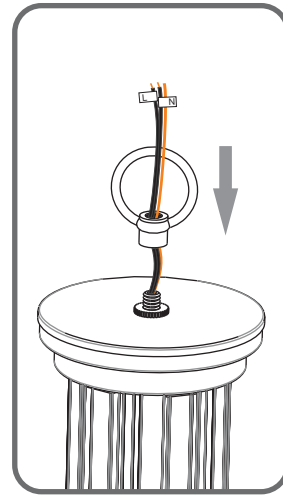
1

Step 1
Unfold Support Arms



2

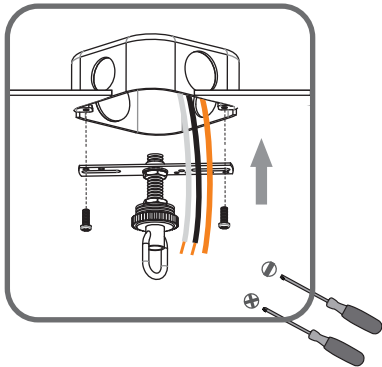
Step 2
Install Fixture Loop



STEP 2

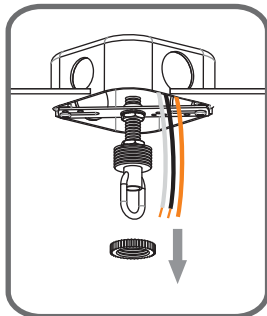
1

Step 1
Install crossbar assembly

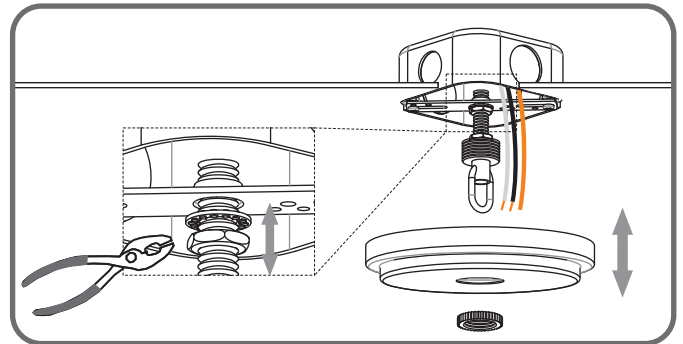


2

Step 2 - 3
Test fitting ceiling canopy to nipple



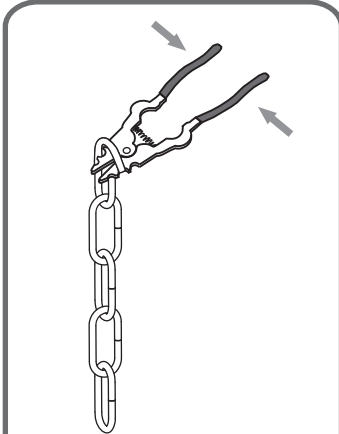
3



STEP 3

1

Step 1
Adjust fixture chain length

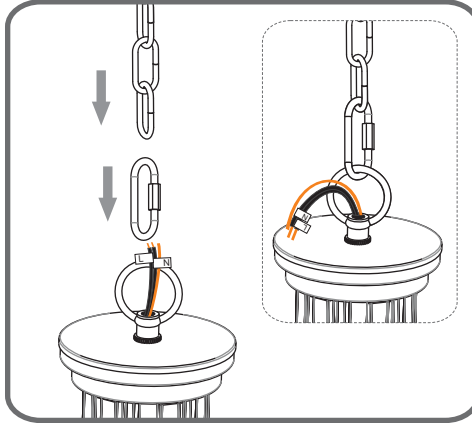


Suggested Chain Length:

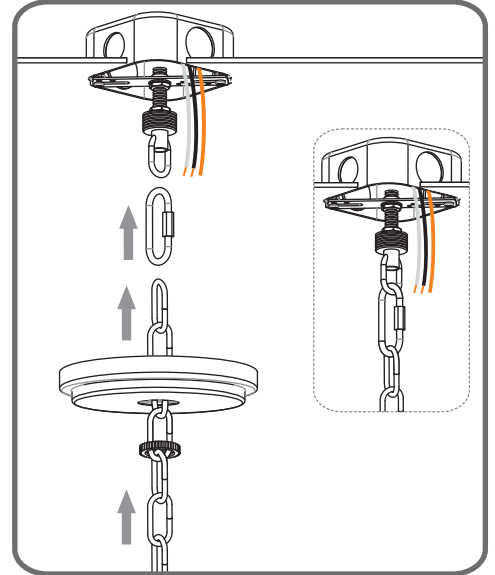
- 8' ceiling: 10" Chain
- 9' ceiling: 22" Chain
- 10' ceiling: 32" Chain

2

Step 2 - 3
Install Fixture Chain



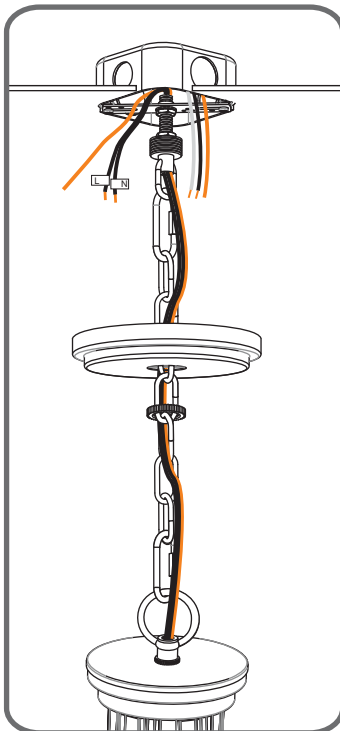
3



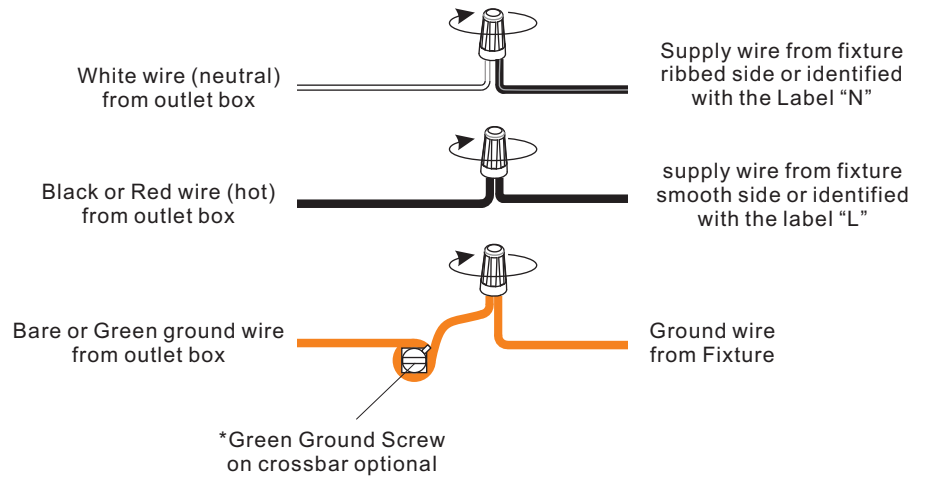
STEP 4

1

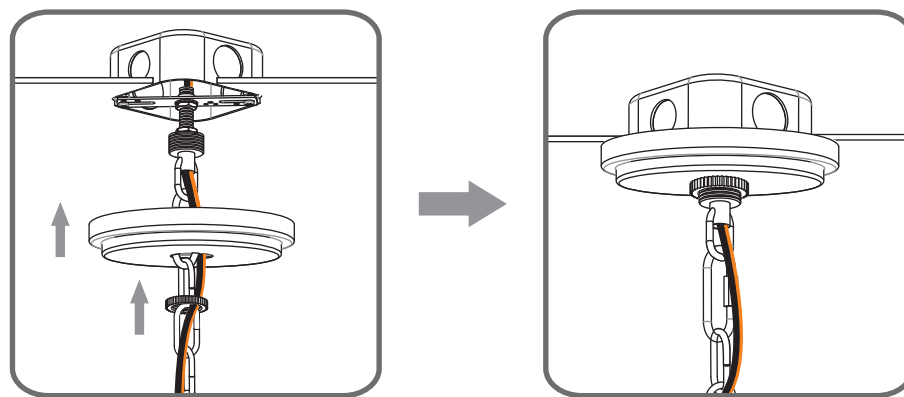
Step 1
Feed the fixture wires
through the loop



2

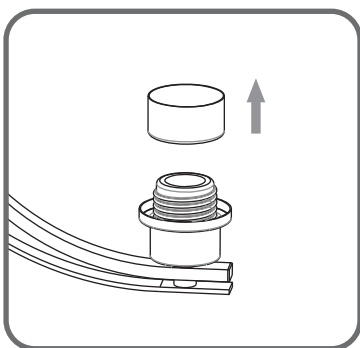


STEP 5



STEP 6

1



2

Note: Shade shape is for illustration purpose only. Your shade shape may vary from illustration.

