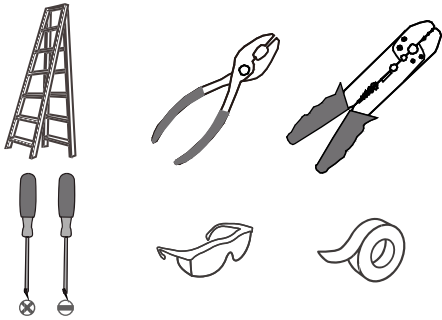
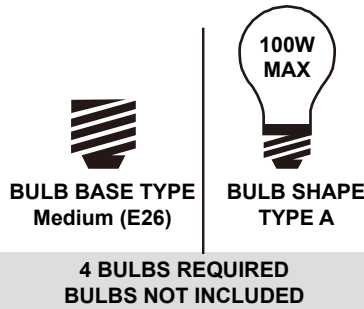


## Tools Required



## Light Source



## ⚠ Warnings and Cautions

Turn off the electricity at the circuit breaker before installation. Consult a licensed electrician if in doubt about installation.

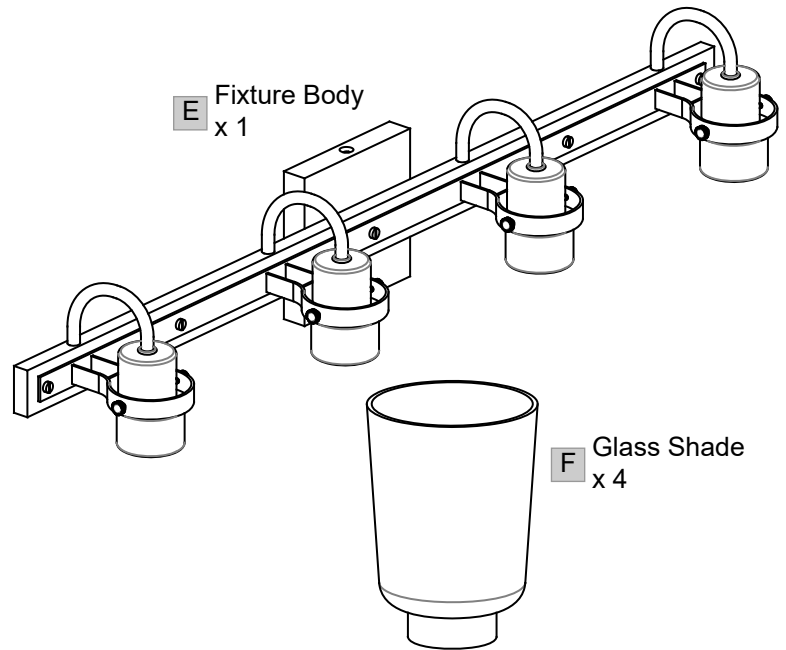
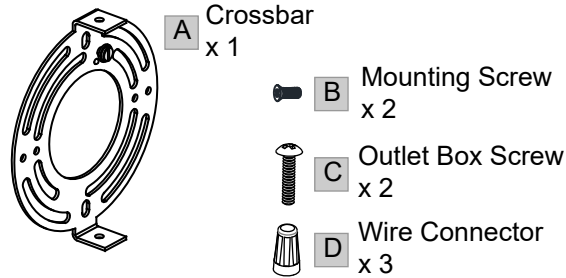
Turn off power to the fixture and allow the bulbs to cool before replacing.

## Package Contents

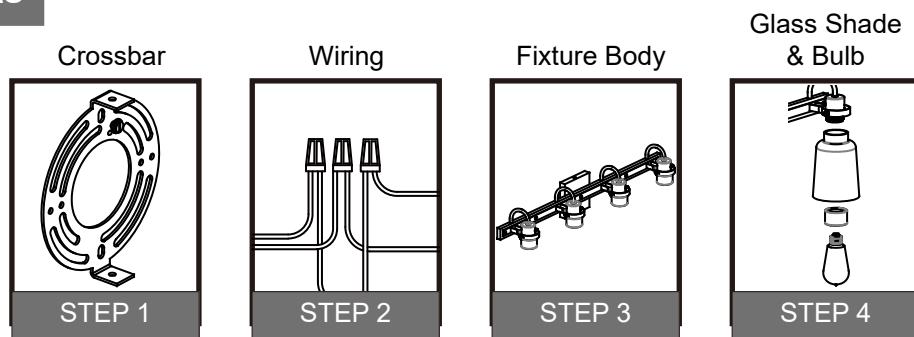
Preparation: Identify and inspect all parts before beginning the installation.

Missing or damaged parts? Contact your original place of purchase.

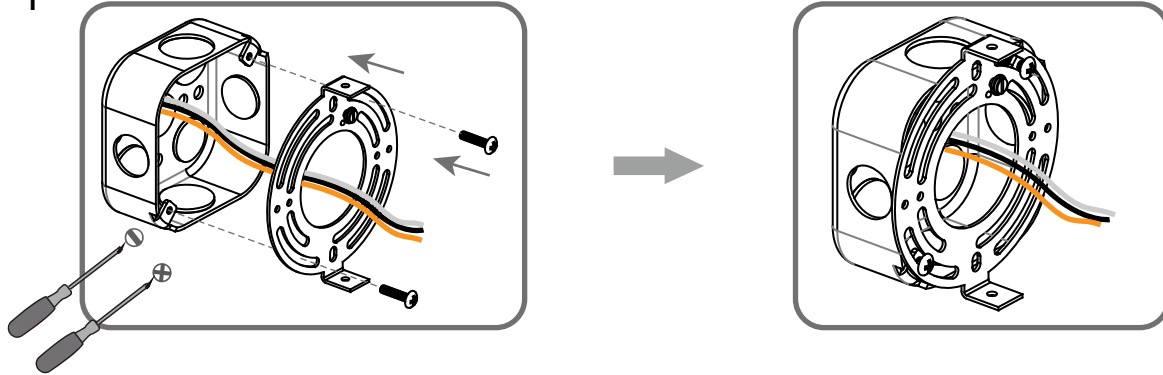
### PARTS BAG



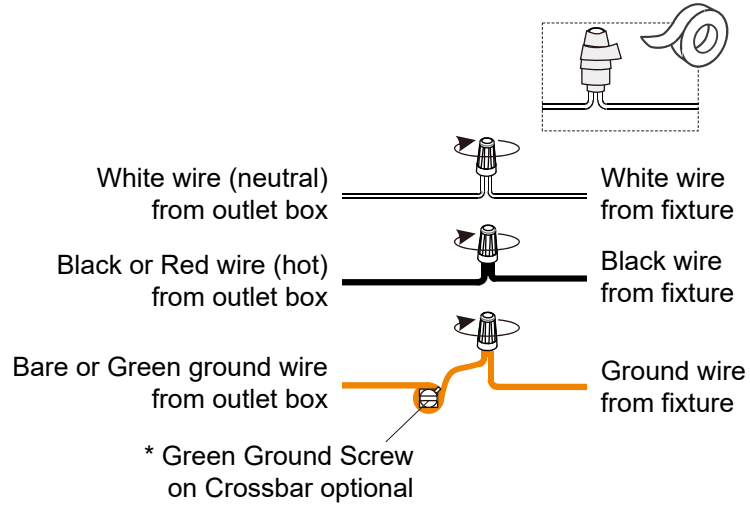
## Table of Contents



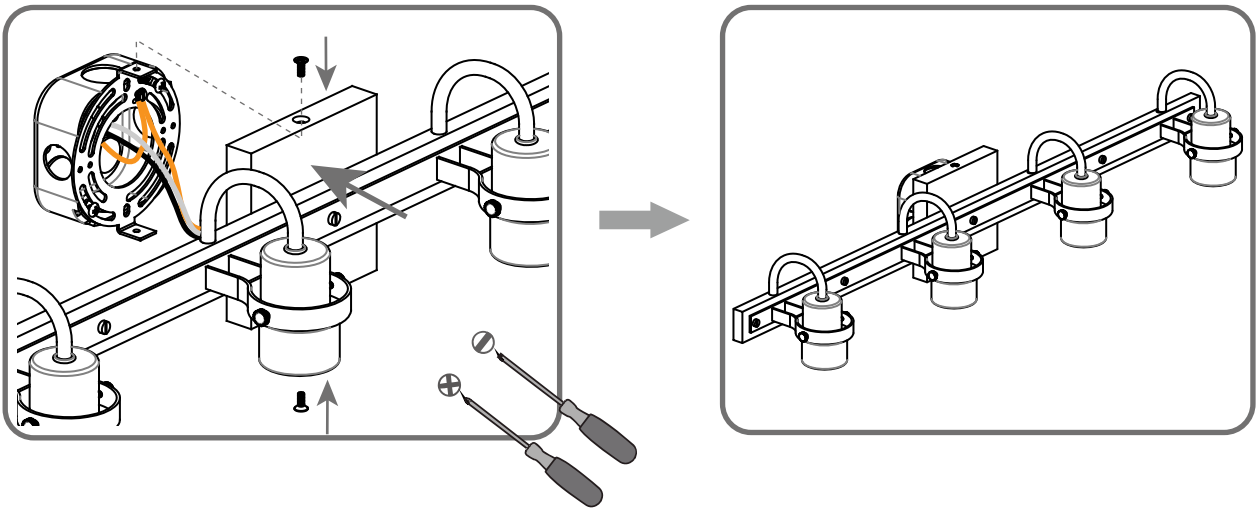
## STEP 1



## STEP 2



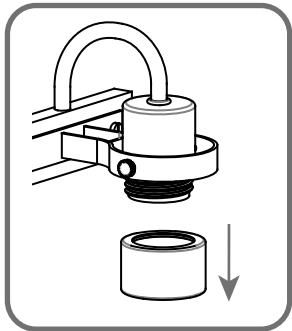
## STEP 3



# STEP 4

1

remove socket collar



2

install glass shade and bulb

