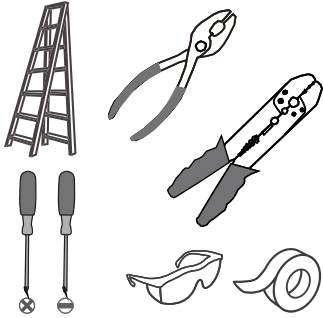
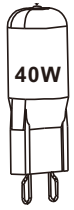


Tools Required



Light Source



G9 Xenon Bulb

**2 BULBS REQUIRED
BULBS NOT INCLUDED**

⚠ Warnings and Cautions

Turn off the electricity at the circuit breaker before installation. Consult a licensed electrician if in doubt about installation.

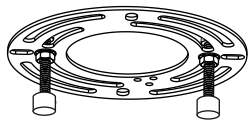
Turn off power to the fixture and allow the bulbs to cool before replacing.

Package Contents

Preparation: Identify and inspect all parts before beginning the installation.

Missing or damaged parts? Contact your original place of purchase.

PARTS BAG



A Crossbar Assembly x 1



B Mounting Screw x 4



C Outlet Box Screw x 2



D Wire Connector x 3



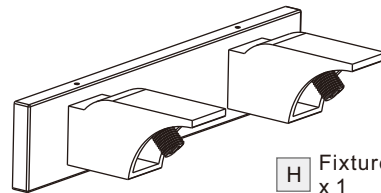
E Alternate Mounting Screw x 2



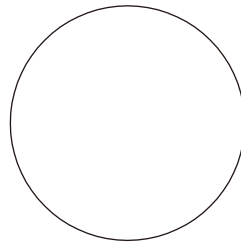
F Wall Anchor x 2



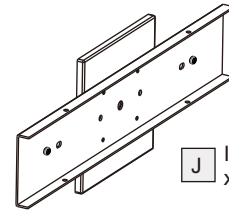
G Screw x 2



H Fixture Body x 1



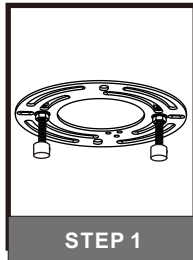
I Shade x 2



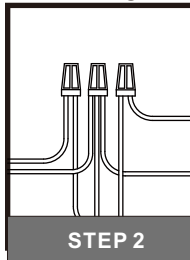
J Inner Backplate x 1

Table of Contents

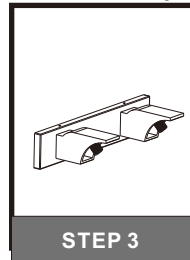
Crossbar Assembly



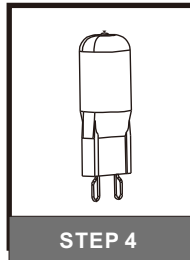
Wiring



Fixture Body



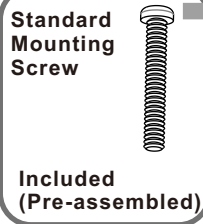
Shade and Bulb



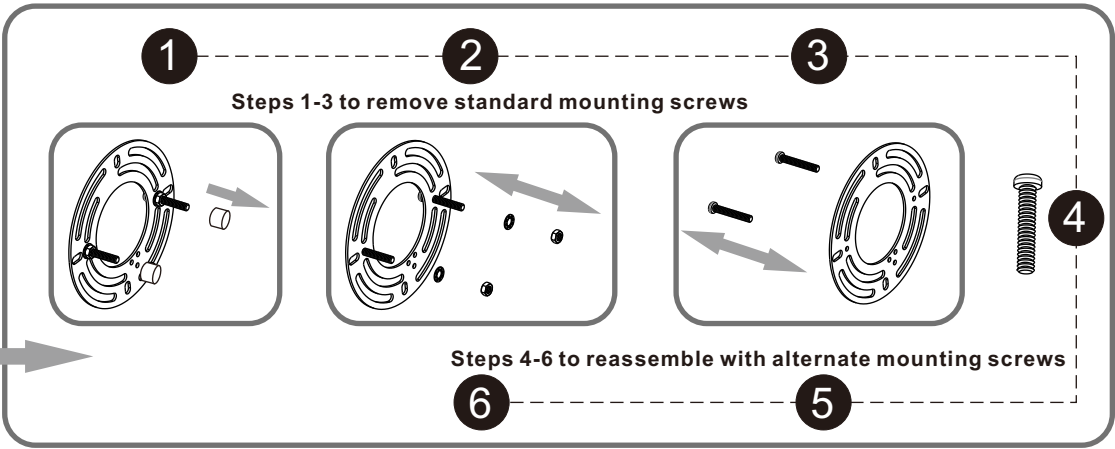
STEP 1

skip to next page

OPTION 1



OPTION 2

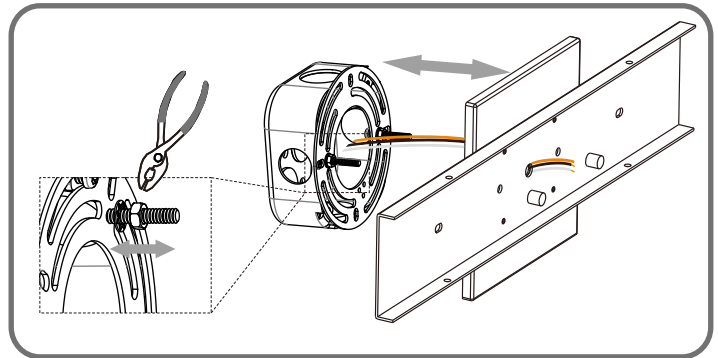
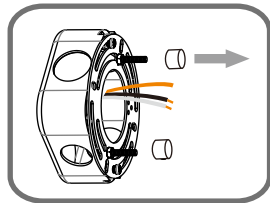
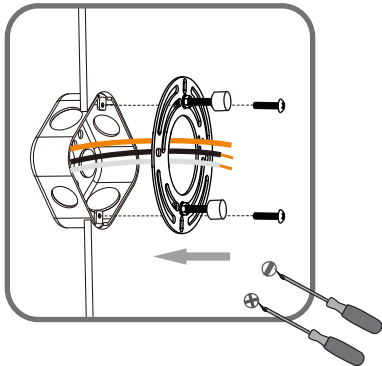


STEP 2

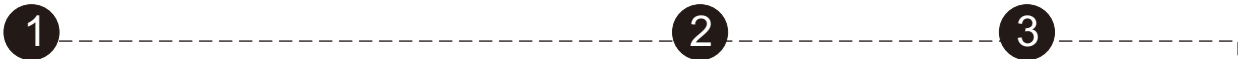
With Outlet Box



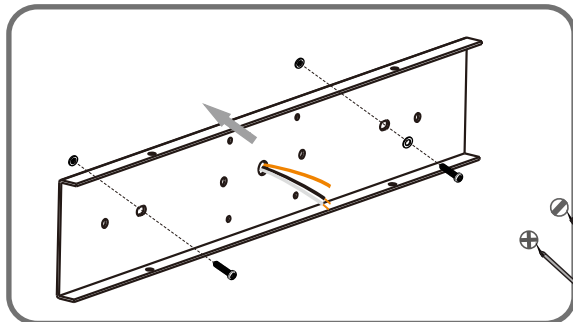
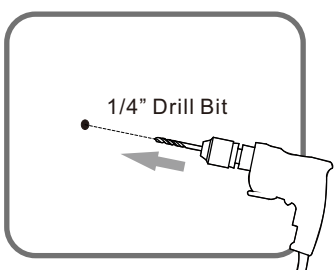
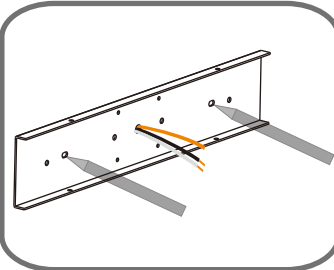
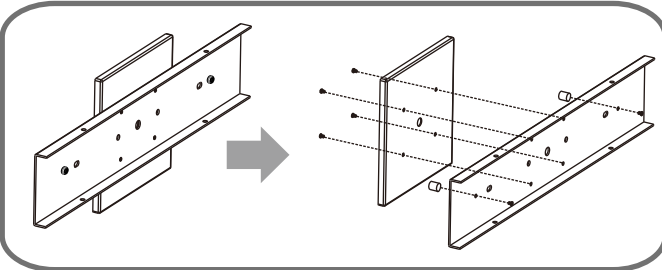
OPTION 1



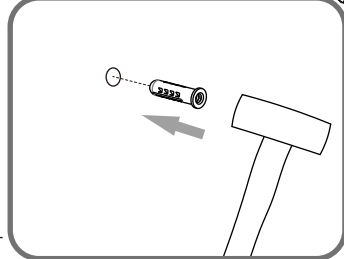
Without Outlet Box



OPTION 2

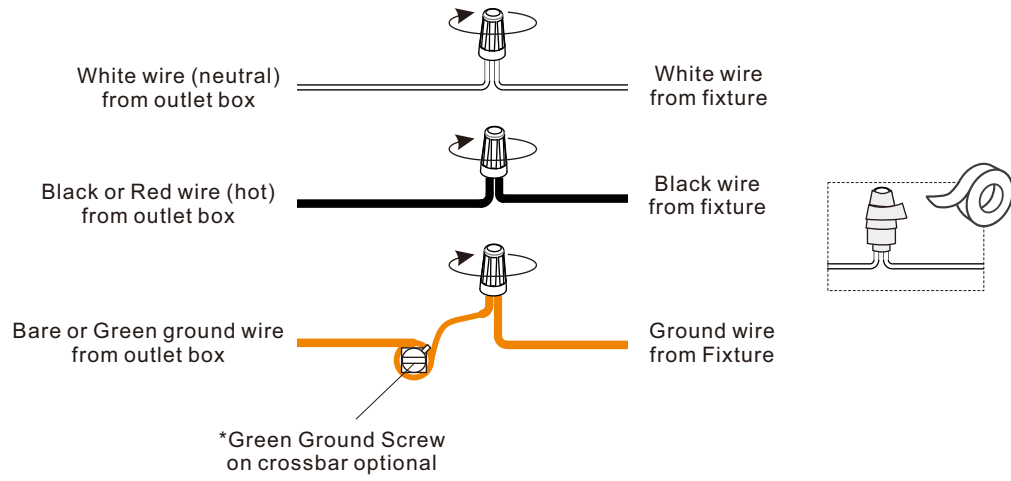


Install Inner Backplate Assembly



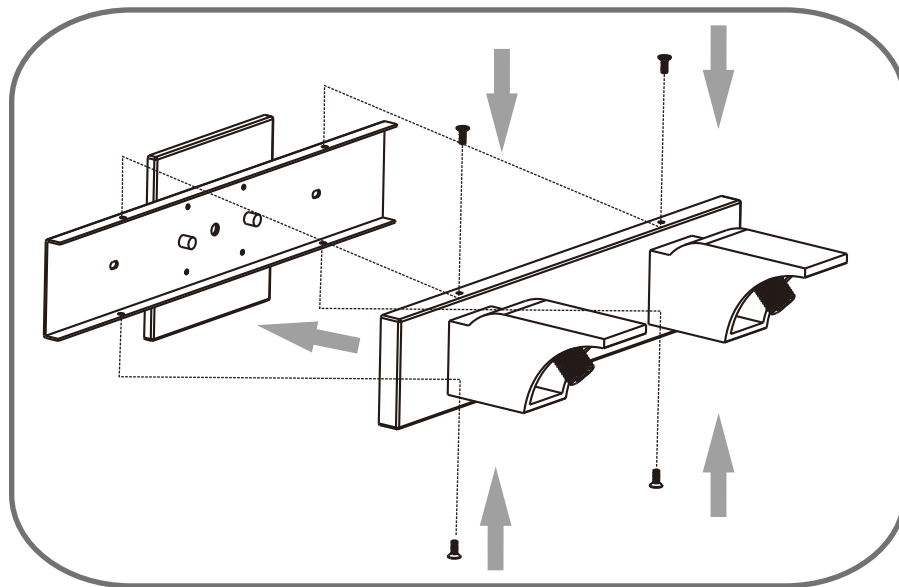
Install Wall Anchors

STEP 3

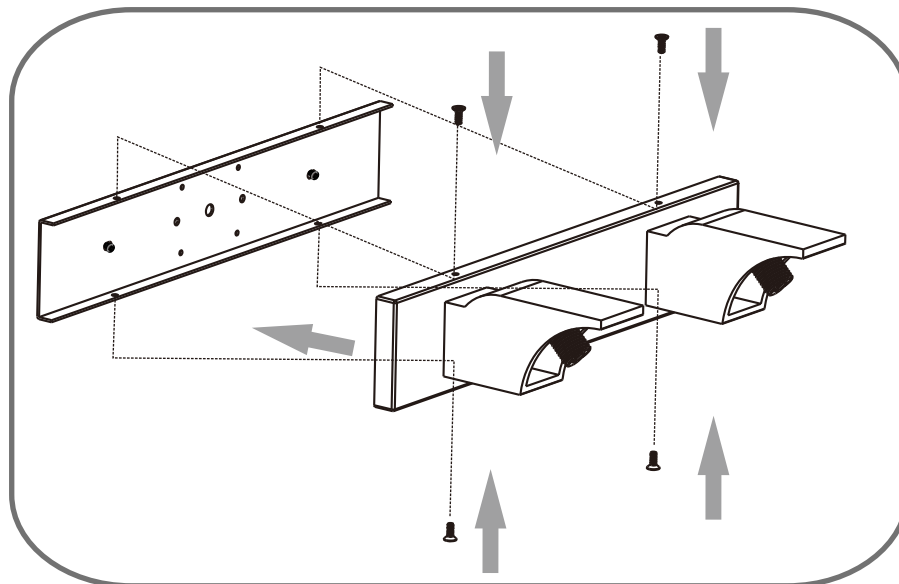


STEP 4

OPTION 1

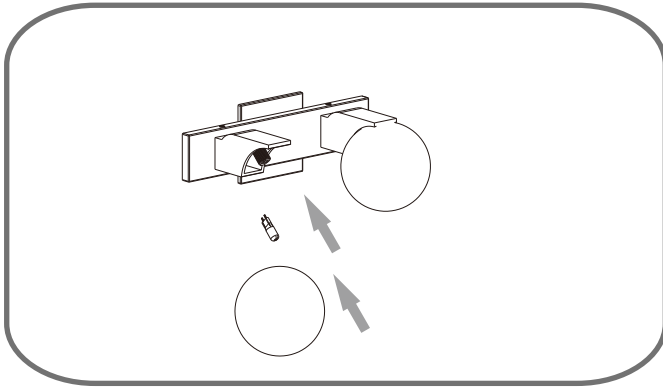


OPTION 2

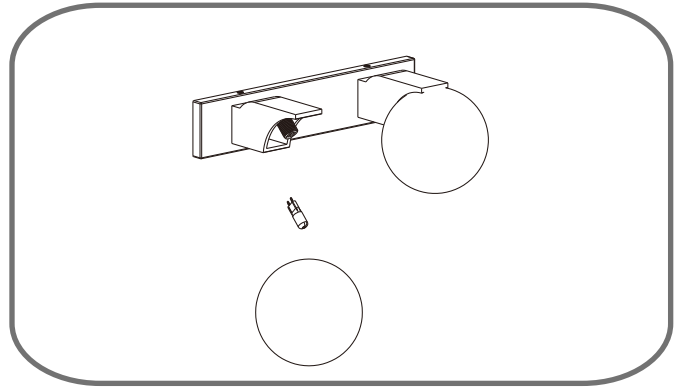


STEP 5

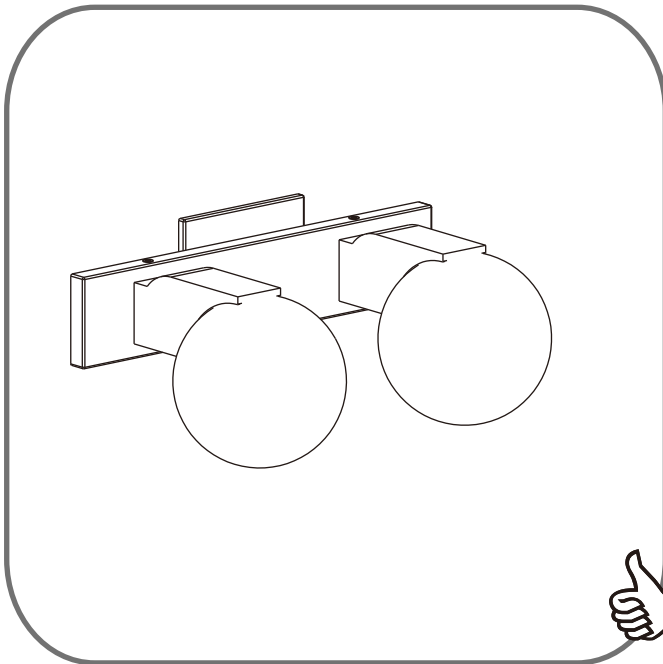
OPTION 1



OPTION 2



OPTION 1



OPTION 2

