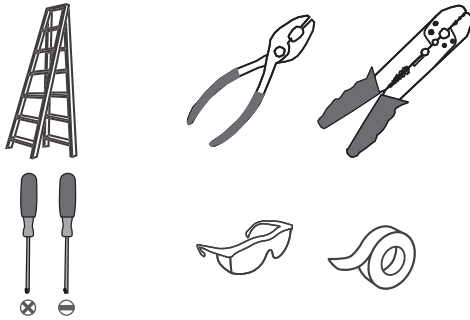


Tools Required



Light Source

38W
LED

Fixture Height Adjustable
7.5" to 93.5"

⚠ Warnings and Cautions

Turn off the electricity at the circuit breaker before installation. Consult a licensed electrician if in doubt about installation.

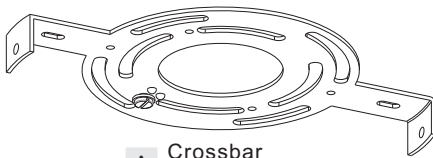
Turn off power to the fixture and allow the bulbs to cool before replacing.

Package Contents

Preparation: Identify and inspect all parts before beginning the installation.

Missing or damaged parts? Contact your original place of purchase.

PARTS BAG



A Crossbar
x 1



B Wall Anchor
x 2



C Washer
x 2



D Screw
x 2



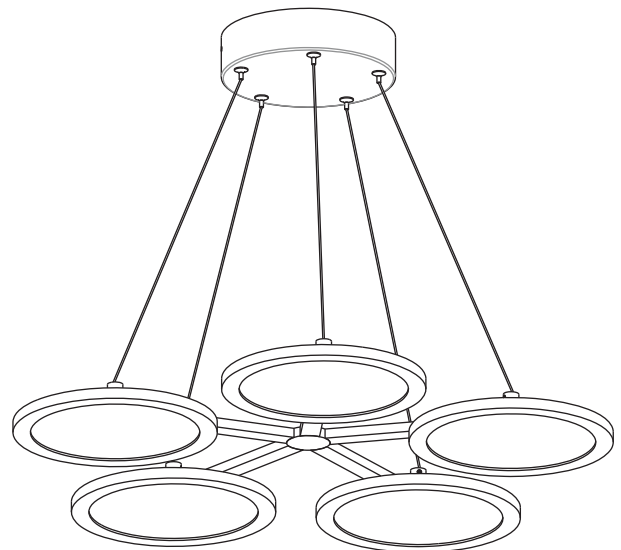
E Lock Screw
x 2



F Outlet Box Screw
x 2



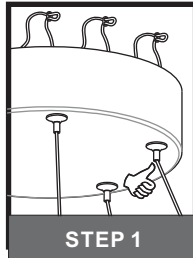
G Wire Connector
x 3



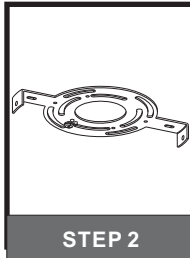
E Fixture Body
x 1

Table of Contents

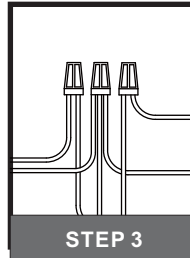
Adjust Cord Length



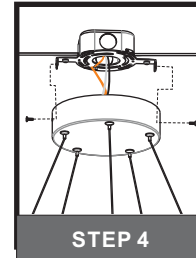
Crossbar



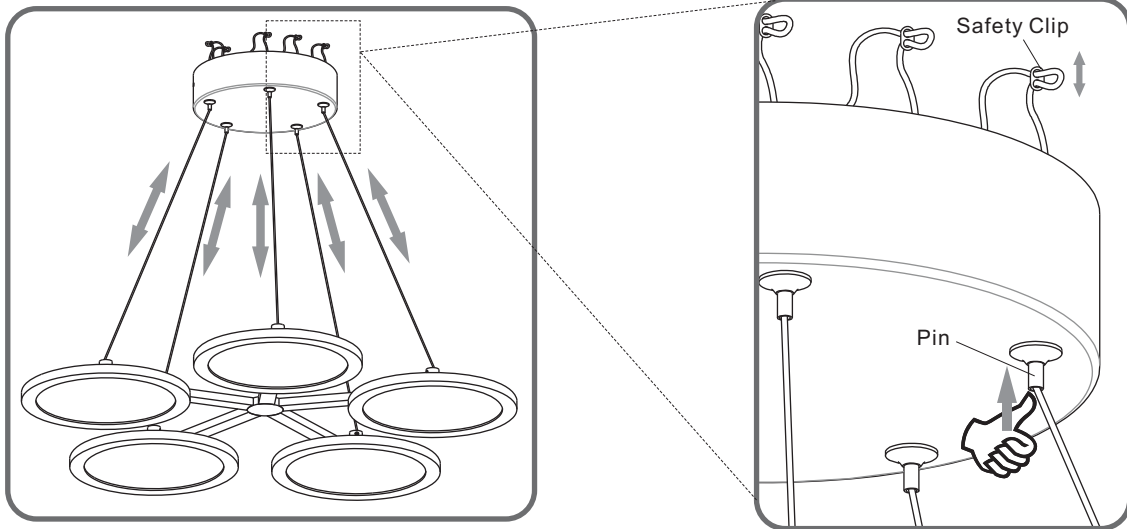
Wiring



Fixture Body



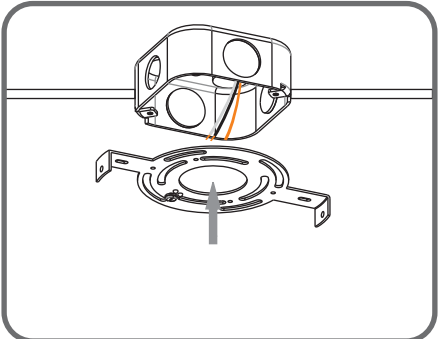
STEP 1



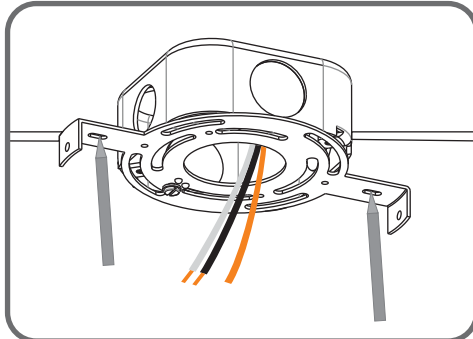
STEP 2

- 1
- 2
- 3

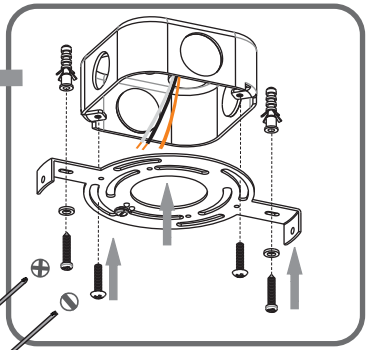
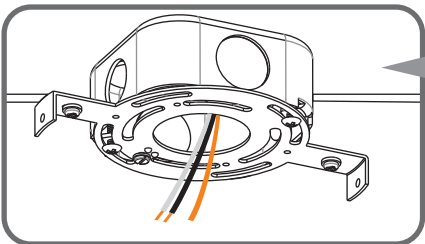
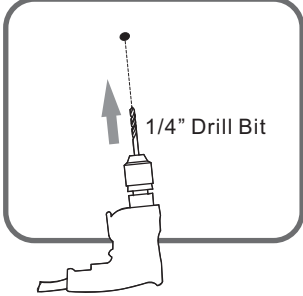
Fit crossbar to outlet box



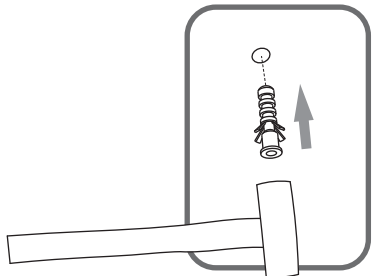
Mark anchor holes location on the ceiling



Drill holes for anchors from marks



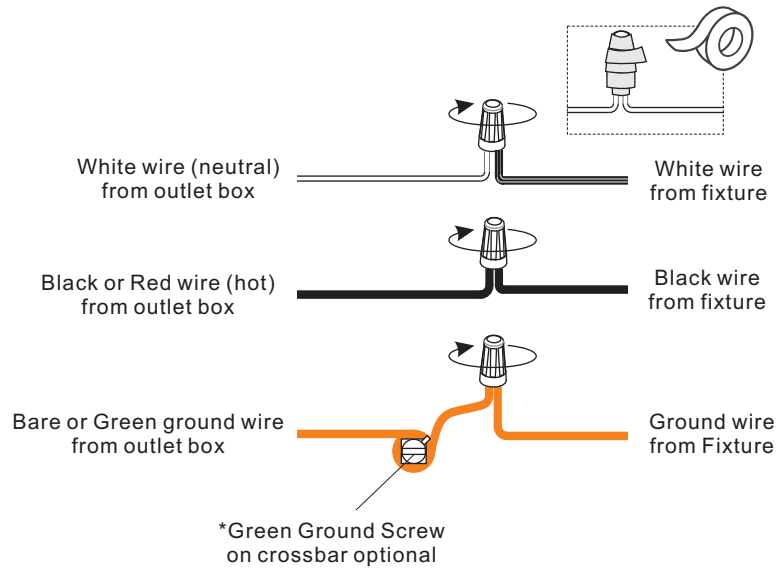
Install crossbar



Install wall anchors

- 5
- 4

STEP 3



STEP 4

