

Please go to www.quoizel.com for product cleaning tips. Go to the **Care + Maintenance** selection.

Tools Required: Pliers.

Bulb Recommended: (2) Medium Base Bulbs 75W Maximum

Estimated Assembly Time: 20-30 minutes

Preparation: Identify and inspect all parts before beginning installation. Check package content list and diagrams below to be sure all parts are present. If any parts are missing or damaged, do not attempt to assemble, install, or operate the fixture. Contact customer service for replacement parts.

⚠ Warnings and Cautions

Turn off electricity at circuit breaker or main fuse box before installation. Consult a licensed electrician if in doubt.

These instructions are provided for your safety. It is very important you read them completely before installing the fixture. We strongly recommend that a licensed, professional electrician perform the installation.

Disconnect fixture from power source before replacing bulbs. Make sure bulbs are given sufficient time to cool before removal.

⚠ Care of Tiffany Style Shade

A new tiffany lamp shade has an oil film applied to the shade that protects the tiffany shade from scratches during shipment. If the oil applied is too heavy you can remove the excess oil film with a paper towel. Gently wipe away the excess oil.

For general cleaning of tiffany shades use a gentle lemon oil-based furniture polish applied to a soft cloth and wipe gently.

If a white powder appears on the soldered joints of the tiffany shade this is a normal oxidation process. Use a small amount of lemon oil or mineral oil applied directly to oxidized areas and the soldered area will return to like new.

A. Thread the Center Column on the bottom center of the Socket Assembly and hand tighten until snug.

B. Place the Base, the Lock Washer and the Spring Washer over the nipple

extruding from the bottom of the Center Column and secure with the Thumb Nut. Hand tighten until snug. Pull cord from Base as you assemble parts together to remove the excess cord between parts.

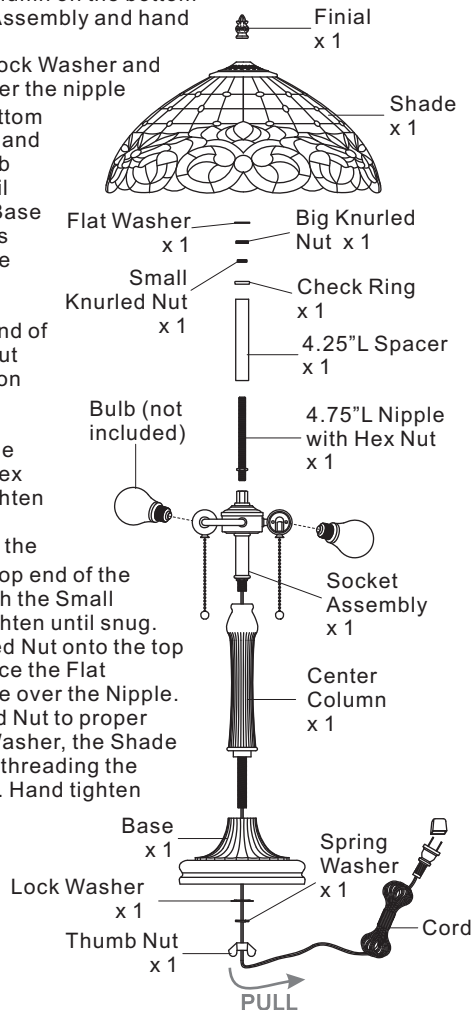
C. Thread the Hex Nut end of the Nipple with Hex Nut into the hex coupling on the top center of the Socket Assembly. By using pliers, thread the Hex Nut against the hex coupling and hand tighten until snug.

D. Place the Spacer and the Check Ring over the top end of the Nipple and secure with the Small Knurled Nut. Hand tighten until snug.

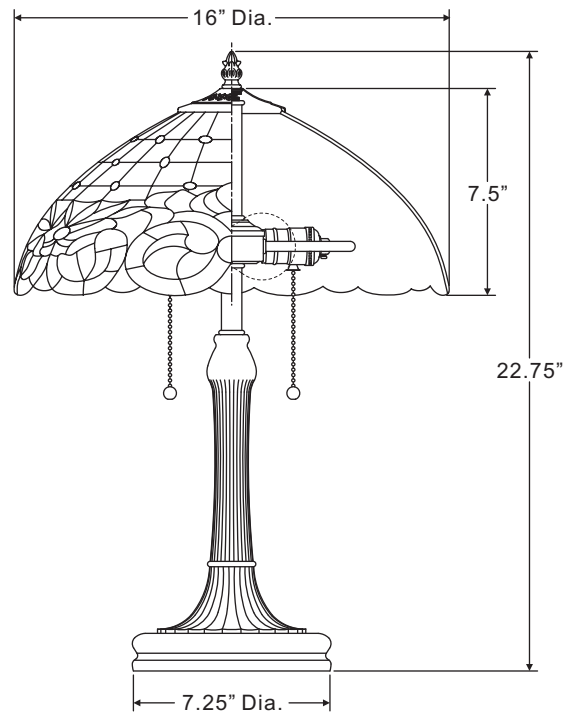
E. Thread the Big Knurled Nut onto the top end of the Nipple. Place the Flat Washer and the Shade over the Nipple. Adjust the Big Knurled Nut to proper location for the Flat Washer, the Shade and Finial. Secure by threading the Finial onto the Nipple. Hand tighten until snug.

F. Insert bulbs onto sockets and screw snugly into place.

Your fixture is now assembled and ready to use. Enjoy!



TF3180TVB
FINISH: VINTAGE BRONZE



NOTE: ALL DIMENSIONS ARE ROUNDED UP TO THE NEAREST 1/4"

Thank you for purchasing a Quoizel product.
Need assistance with parts or assembly? Call Quoizel customer service at 1-800-645-3184
or visit us on-line at www.quoizel.com