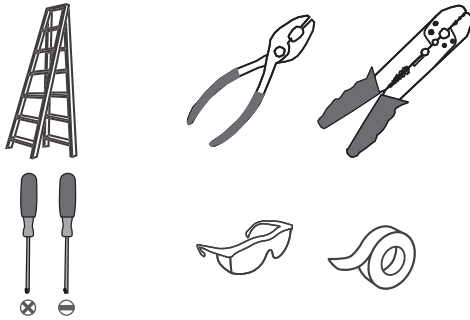


**Tools Required**



**Light Source**

38W  
**LED**

**Fixture Height Adjustable**  
7.5" to 93.5"

**⚠ Warnings and Cautions**

Turn off the electricity at the circuit breaker before installation. Consult a licensed electrician if in doubt about installation.

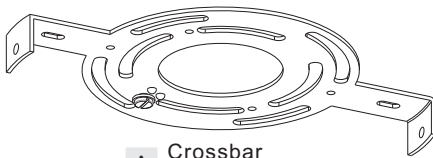
Turn off power to the fixture and allow the bulbs to cool before replacing.

**Package Contents**

**Preparation:** Identify and inspect all parts before beginning the installation.

Missing or damaged parts? Contact your original place of purchase.

**PARTS BAG**



**A** Crossbar  
x 1



**B** Wall Anchor  
x 2



**C** Washer  
x 2



**D** Screw  
x 2



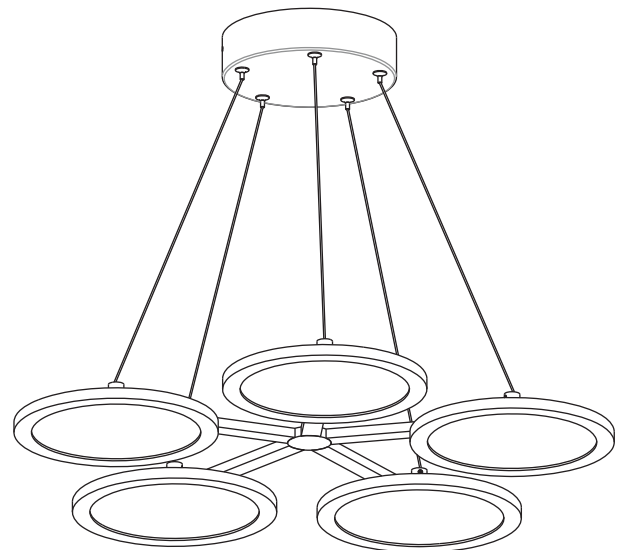
**E** Lock Screw  
x 2



**F** Outlet Box Screw  
x 2



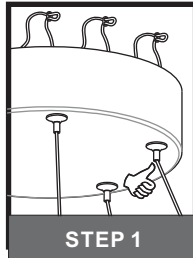
**G** Wire Connector  
x 3



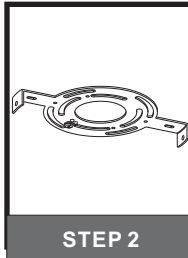
**E** Fixture Body  
x 1

**Table of Contents**

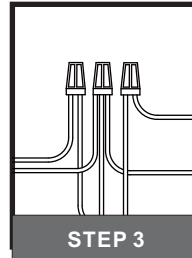
**Adjust Cord Length**



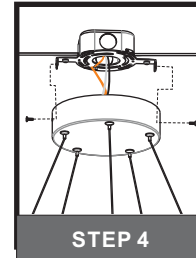
**Crossbar**



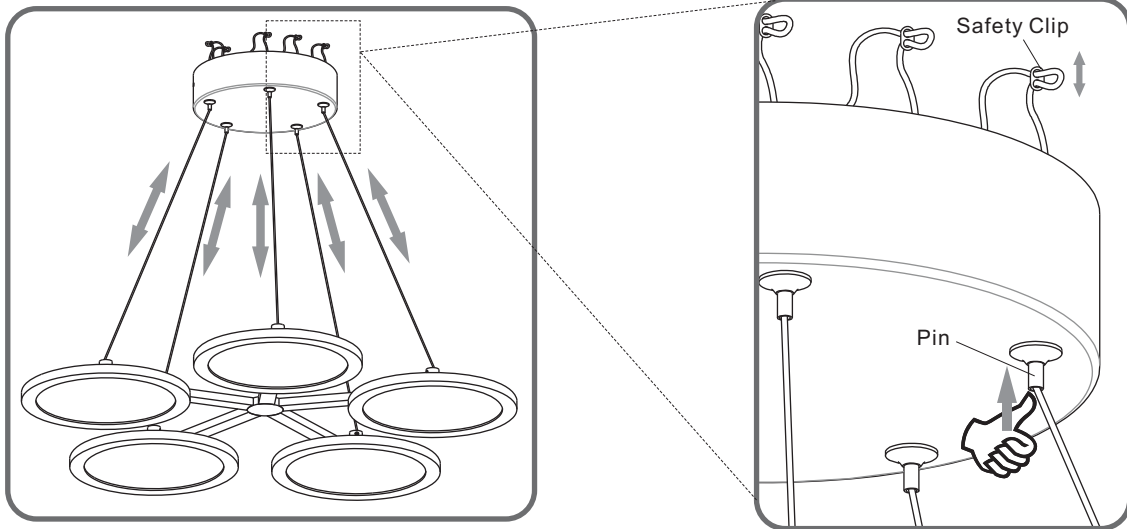
**Wiring**



**Fixture Body**



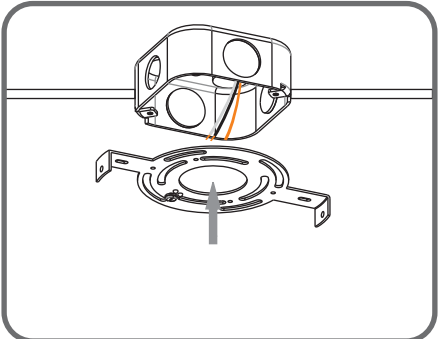
**STEP 1**



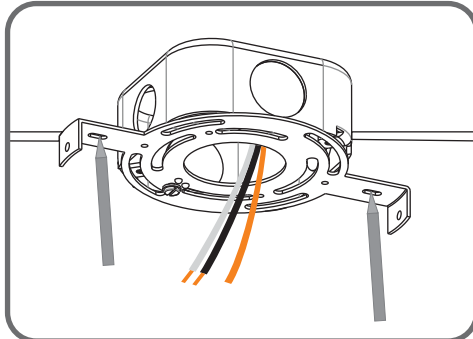
**STEP 2**

- 1
- 2
- 3

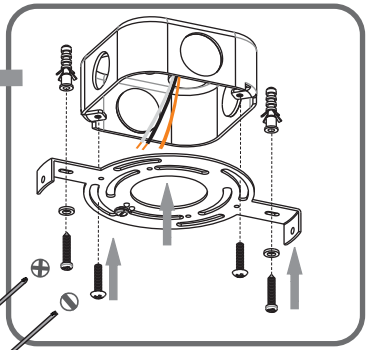
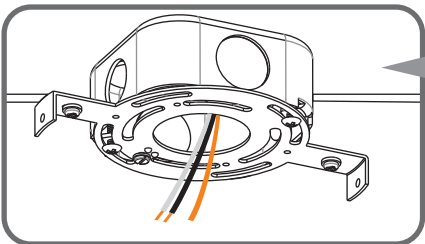
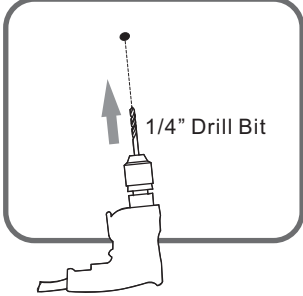
**Fit crossbar to outlet box**



**Mark anchor holes location on the ceiling**

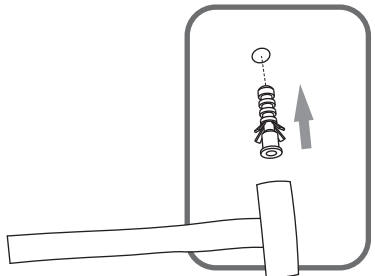


**Drill holes for anchors from marks**



**Install crossbar**

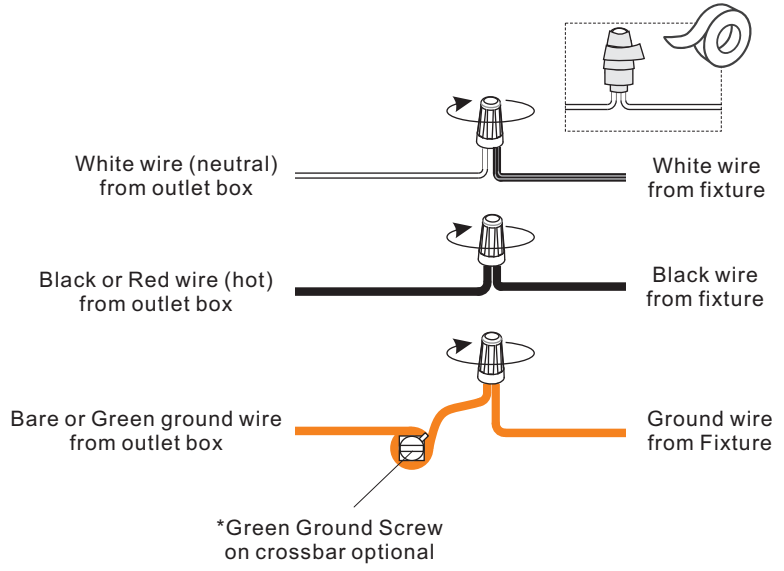
- 5



**Install wall anchors**

- 4

### STEP 3



### STEP 4

