

Assembly Instruction Sheet #IS-MLD8603BN For Style MLD8603BN

Quozel, Inc.
 6 Corporate Parkway
 Goose Creek, SC
 29445

Customer Service
 Phone 631.273.2700
 Fax 631.231.7102
 www. quozel. com

Tools Required: Flathead screwdriver, Phillips screwdriver, pliers, wire cutters, wire strippers, electrical tape, safety glasses.

Bulb Recommended: (3) Medium Base Bulbs 100W Maximum

Estimated Assembly Time: 15-20 minutes

Preparation: Identify and inspect all parts before beginning installation. Check package content list and diagrams below to be sure all parts are present. If any parts are missing or damaged, do not attempt to assemble, install, or operate the fixture. Contact customer service for replacement parts.

Warnings and Cautions

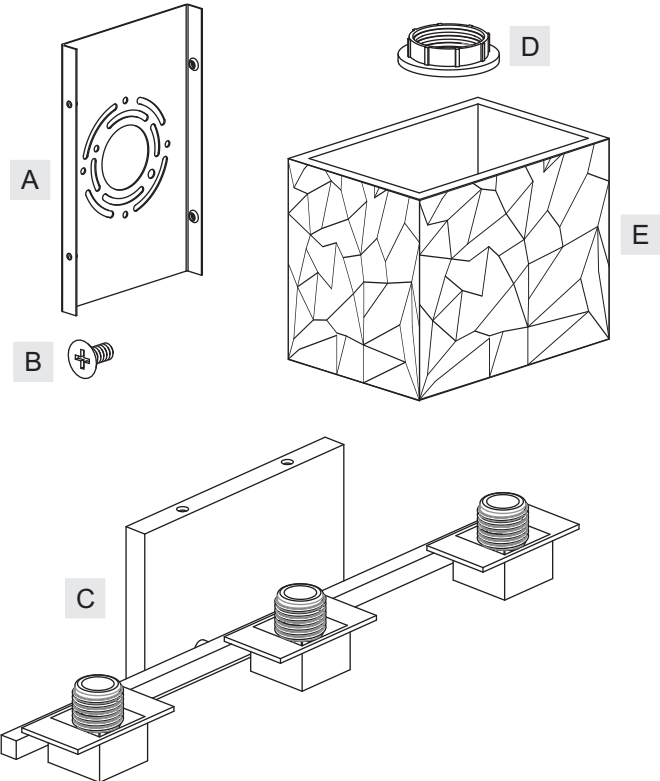
Turn off electricity at circuit breaker or main fuse box before installation. Consult a licensed electrician if in doubt.

These instructions are provided for your safety. It is very important you read them completely before installing the fixture. We strongly recommend that a licensed, professional electrician perform the installation.

Disconnect fixture from power source before replacing bulbs. Make sure bulbs are given sufficient time to cool before removal. Do not subject glass parts to any shock while in operation or shattering August result.

Package Contents

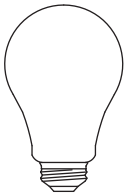
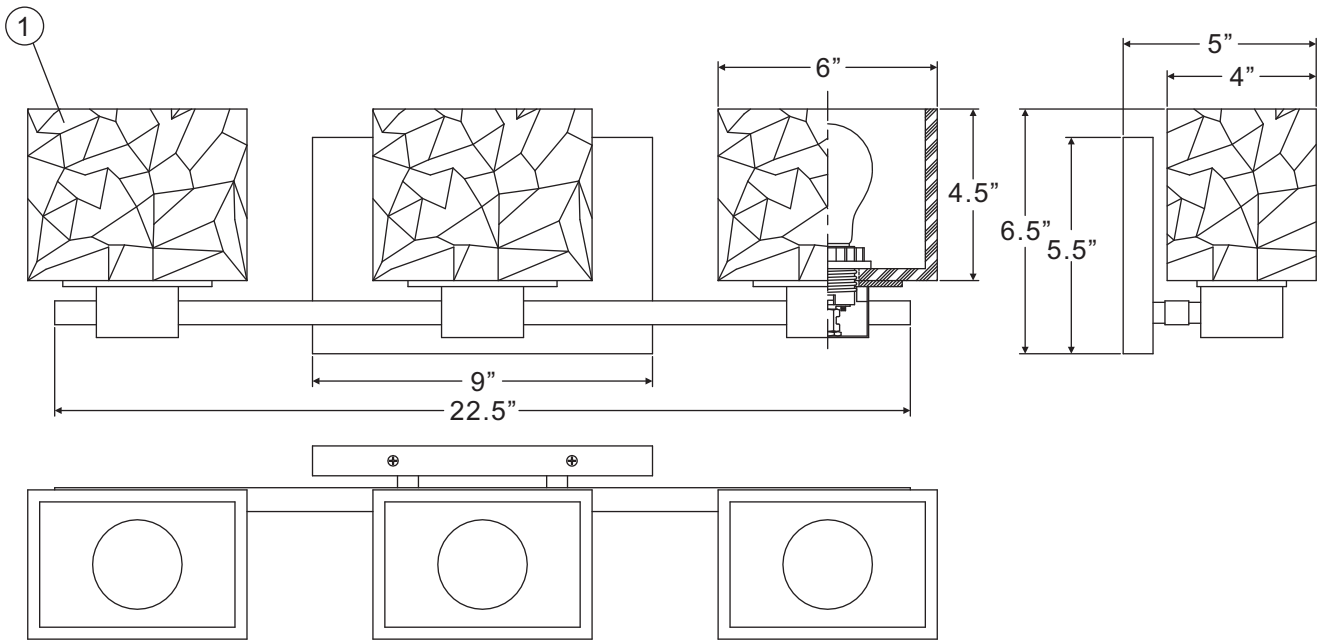
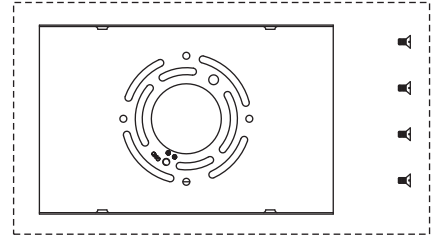
Part	Description	Quantity
A	Inner Backplate	1 pc.
B	Lock Screw	4 pcs.
C	Fixture Body	1 pc.
D	Socket Collar	3 pcs.
E	Shade	3 pcs.



Thank you for purchasing a Quozel product.
Need assistance with parts or assembly? Call Quozel customer service at 1-631-273-2700
or visit us on-line at www. quozel. com

MLD8603BN

FINISH: BRUSHED NICKEL



(3)100W Medium Base Bulbs (Not Supplied)

NOTE: ALL DIMENSIONS ARE ROUNDED UP TO THE NEAREST 1/2"

NO.	PART NUMBER	REPLACEMENT PART DESCRIPTION	REQ.
1	G3615SH	GLASS SHADE 6" X4" X4.5"	3

STEP 1 – Attach Inner Backplate to Outlet Box

- A. Secure the Inner Backplate (A) to the outlet box with outlet box screws (not supplied). Tighten until snug.

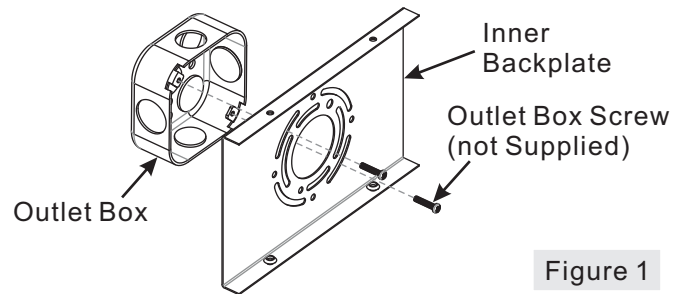


Figure 1

STEP 2 – Make Wire Connections

- A. Use standard wire connectors to make all wire connections. (Connectors are not included with fixture.) Strip and prepare wire ends according to instructions supplied with connectors.
 B. Connect White Supply Wire from the Outlet Box to White Wire from fixture.
 C. Connect Black (or Red) Supply Wire from the Outlet Box to Black Wire from fixture.
 D. Connect Ground Wire from the Outlet Box to Ground Wire from fixture.
 E. Twist connectors until wires are tightly joined together.
 F. Wrap each connection with approved electrical tape and carefully stuff all the connected wires into the Outlet Box.

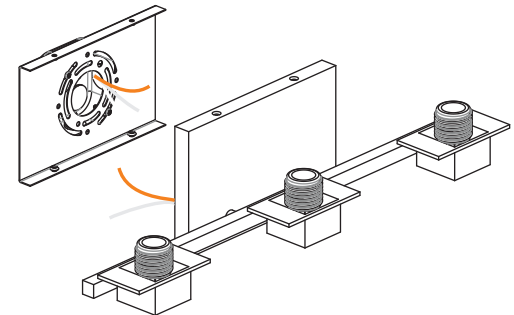


Figure 2

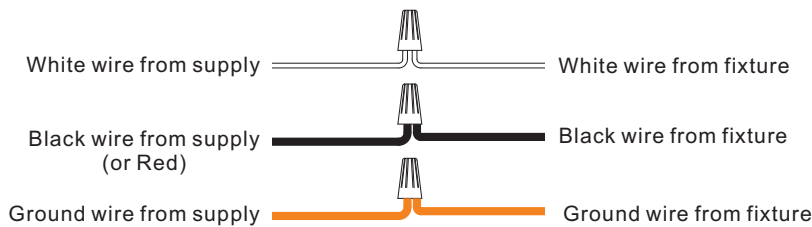


Figure 3

STEP 3 – Attach Backplate to Nipple

- A. Align the side holes on the Backplate of the Fixture Body (C) to the mounting holes on the folded edge of the Inner Backplate (A). Secure by threading the Lock Screws (B) into the mounting holes on the Inner Backplate (A). Hand tighten until snug.

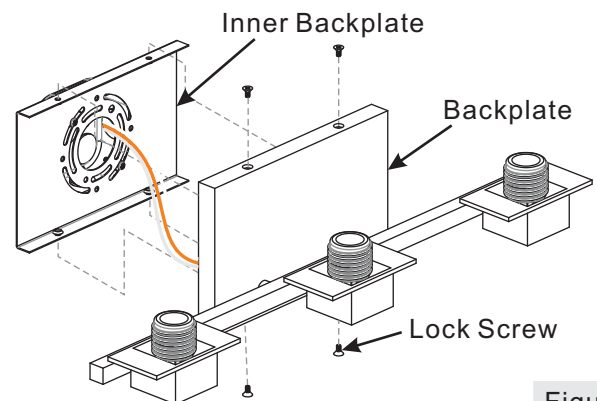


Figure 4

Thank you for purchasing a Quozel product.
Need assistance with parts or assembly? Call Quozel customer service at 1-631-273-2700
or visit us on-line at www. quozel. com

STEP 4 – Attach Shade to Fixture Body

- A. Place the Shade (E) over the Socket and secure with the Socket Collar (D). Hand tighten until snug.

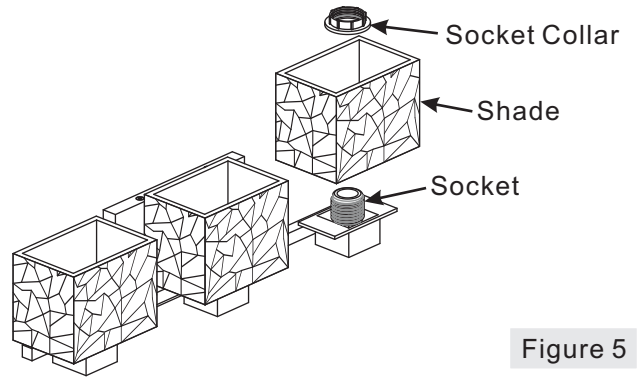


Figure 5

STEP 5 – Install Bulb and Bulb Shield

- A. This fixture uses medium base bulbs with a standard screw base. Maximum 100 watts.
B. Insert bulb and screw properly into place.

Your fixture is now assembled and ready to use.
Enjoy!

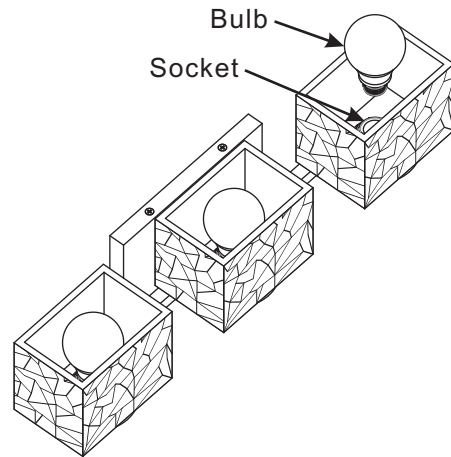


Figure 6

**Thank you for purchasing a Quozel product.
Need assistance with parts or assembly? Call Quozel customer service at 1-631-273-2700
or visit us on-line at www. quozel. com**