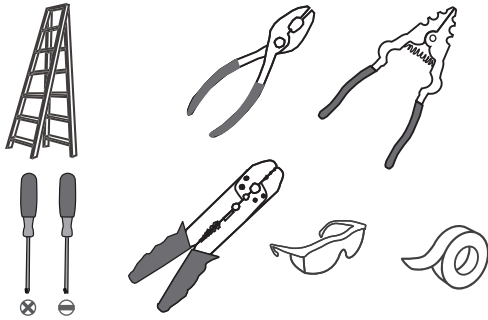
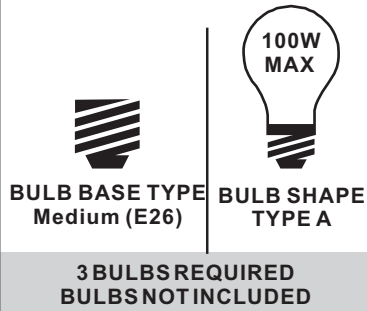


Tools Required



Light Source



**Fixture Height Adjustable
23.5" to 73"**

⚠ Warnings and Cautions

Turn off the electricity at the circuit breaker before installation. Consult a licensed electrician if in doubt about installation.

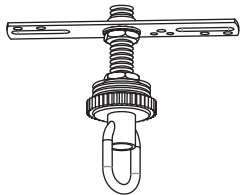
Turn off power to the fixture and allow the bulbs to cool before replacing.

Package Contents

Preparation: Identify and inspect all parts before beginning the installation.

Missing or damaged parts? Contact your original place of purchase.

PARTS BAG



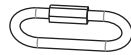
A Crossbar Assembly x 1



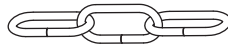
B Outlet Box Screw x 2



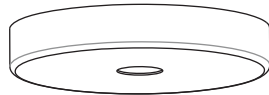
C Wire Connector x 3



D Quick Link x 2



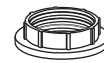
E Fixture Chain x 1



F Ceiling Canopy x 1

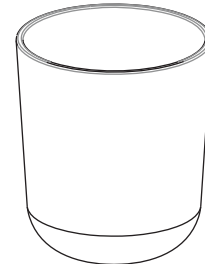


G Fixture Loop x 1

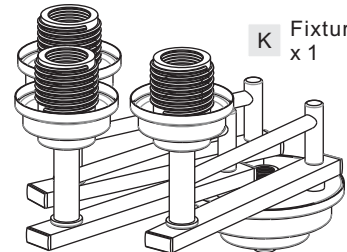


I Socket Collar x 3

H Tube x 1



J Shade x 3

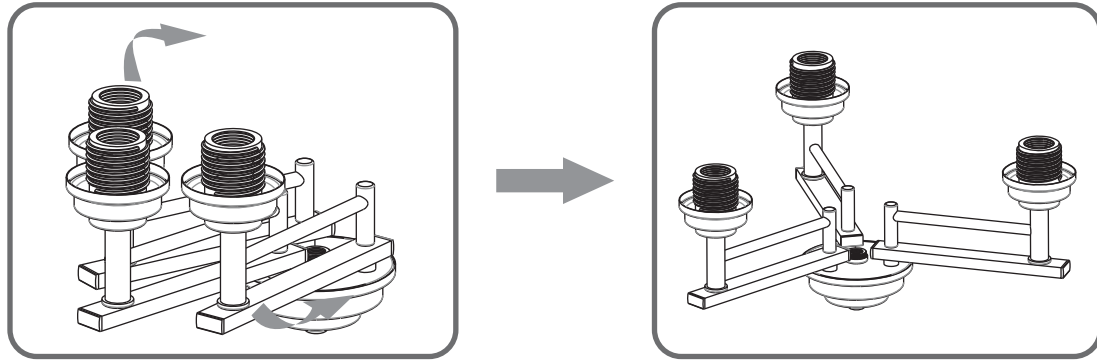


K Fixture Body x 1

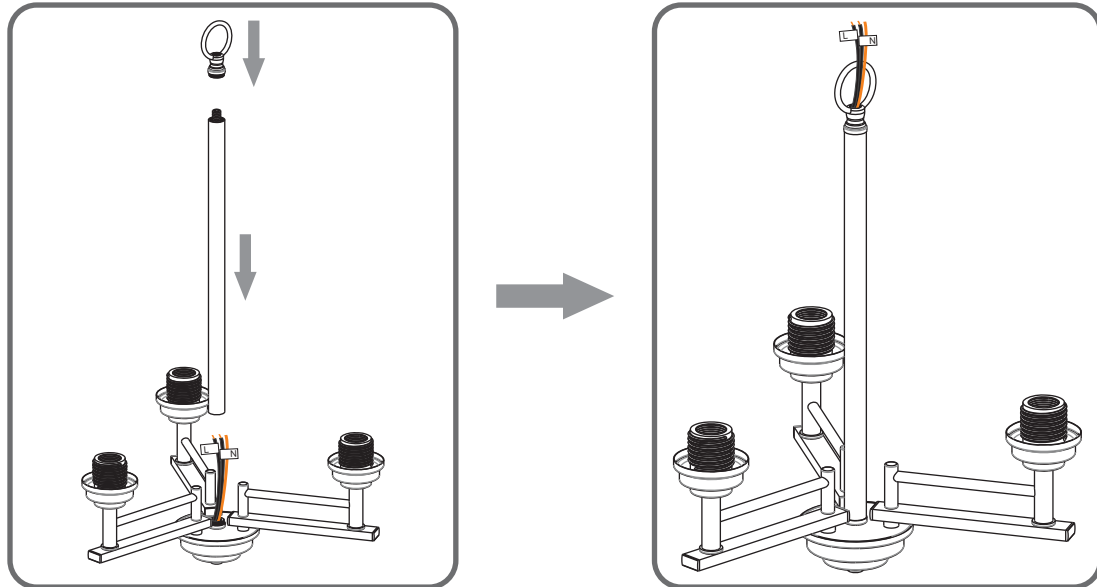
Table of Contents

Unfold Arms	Fixture Loop & Tube	Crossbar Assembly	Fixture Chain	Wiring	Ceiling Canopy	Shade & Bulb
STEP 1	STEP 2	STEP 3	STEP 4	STEP 5	STEP 6	STEP 7

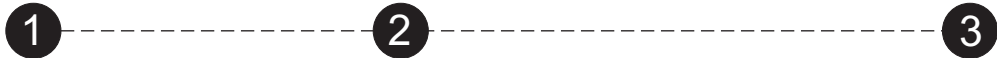
STEP 1



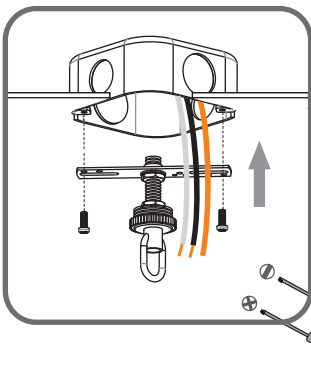
STEP 2



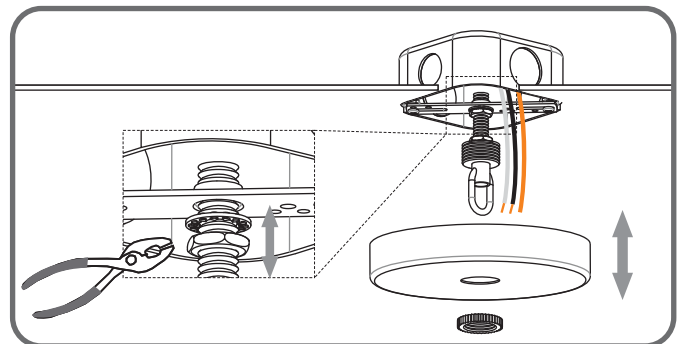
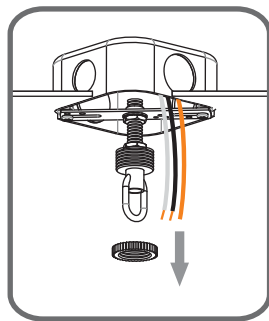
STEP 3



Step 1
Install crossbar assembly



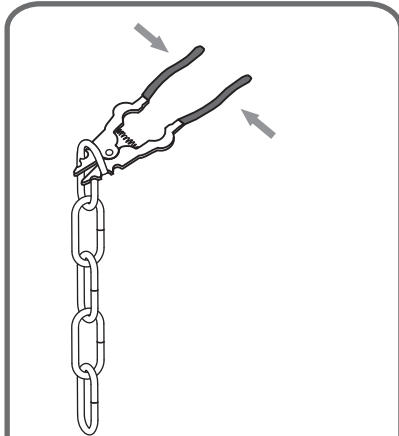
Step 2 - 3
Test fitting ceiling canopy to nipple



STEP 4

1

Step 1
Adjust fixture chain length

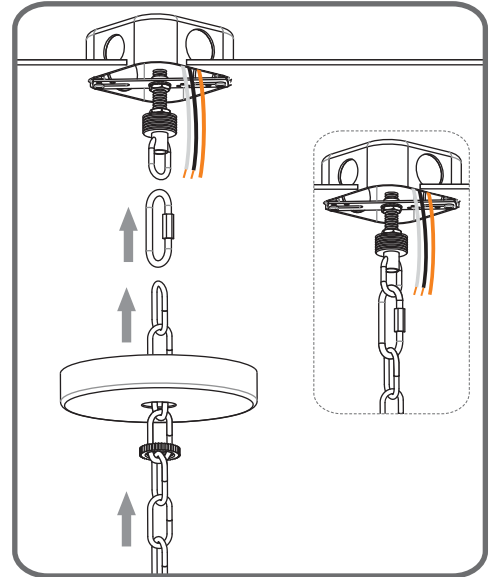
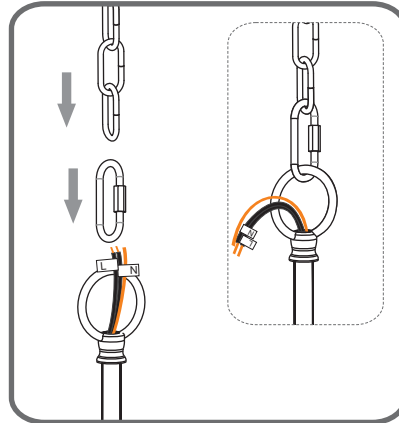


Suggested Chain Length:

- 8' ceiling: 12.5" Chain
- 9' ceiling: 23.5" Chain
- 10' ceiling: 34.5" Chain

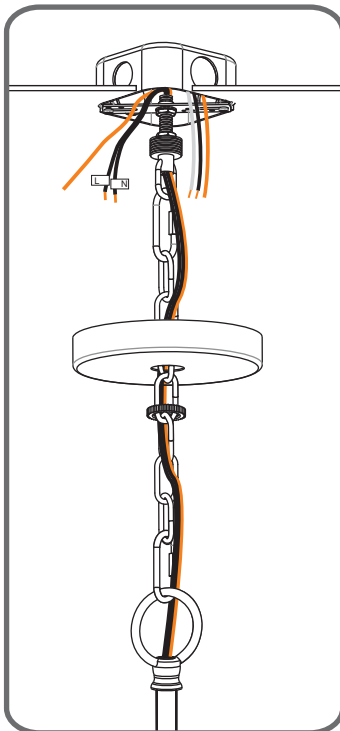
2

Step 2 - 3
Install Fixture Chain

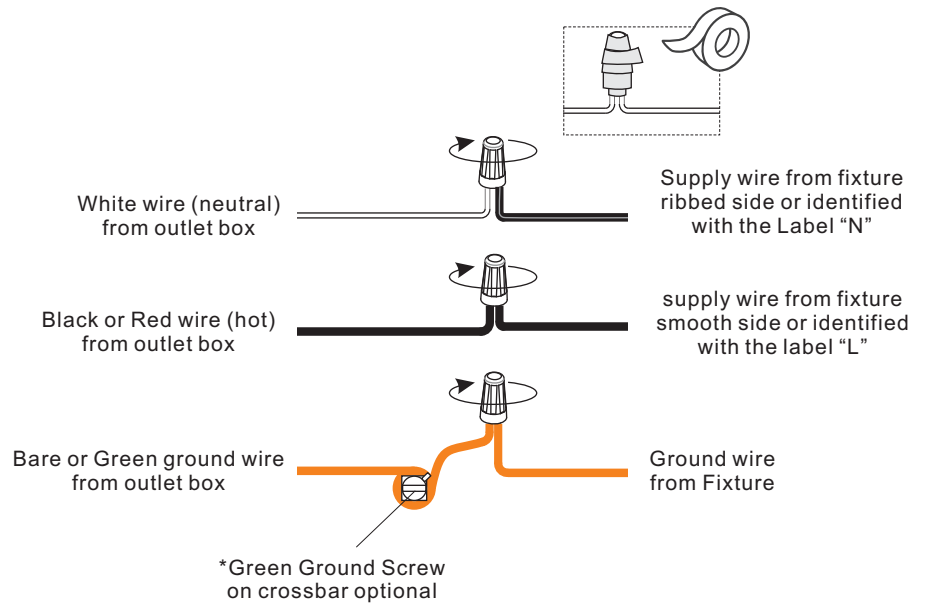


1

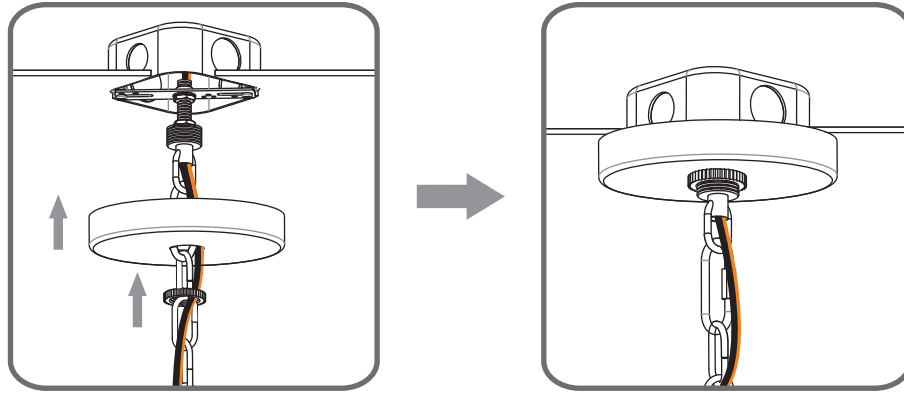
Step 1
Feed the fixture wires through the loop



2



STEP 6



STEP 7

