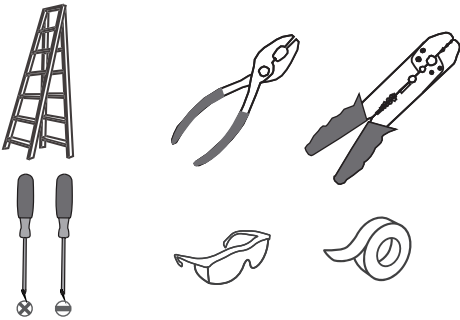
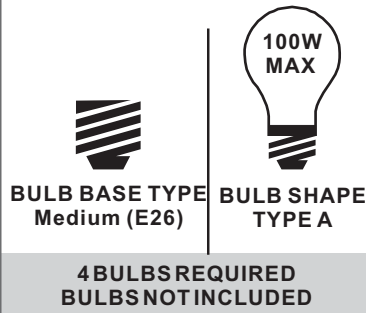


Tools Required



Light Source



Fixture Height Adjustable 11.75" to 47.75"

Warnings and Cautions

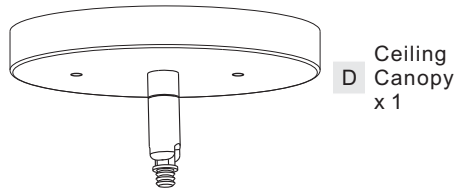
Turn off the electricity at the circuit breaker before installation. Consult a licensed electrician if in doubt about installation.

Turn off power to the fixture and allow the bulbs to cool before replacing.

Package Contents

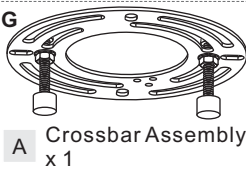
Preparation: Identify and inspect all parts before beginning the installation.

Missing or damaged parts? Contact your original place of purchase.



D Ceiling Canopy x 1

PARTS BAG



A Crossbar Assembly x 1



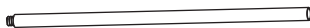
B Outlet Box Screw x 2



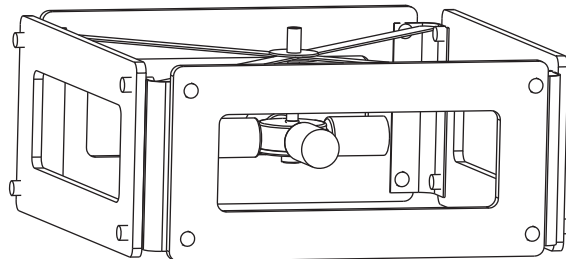
C Wire Connector x 3



E 6" L Rod x 2



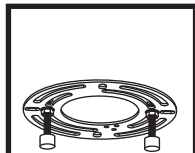
F 12" L Rod x 2



G Fixture Body x 1

Table of Contents

Crossbar Assembly



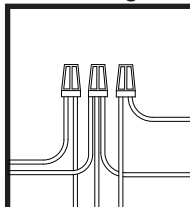
STEP 1

Downrod



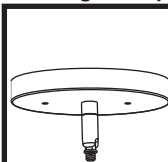
STEP 2

Wiring



STEP 3

Ceiling Canopy



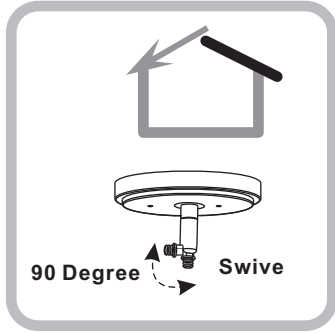
STEP 4

Bulb



STEP 5

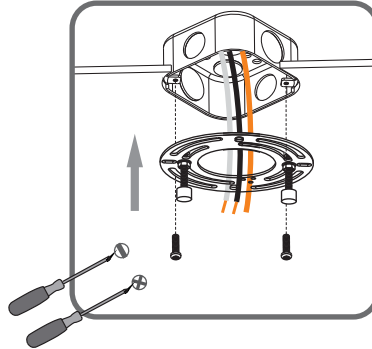
STEP 1



For angled ceilings,
Swivel opening towards wall.

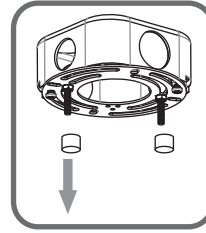
1

Step 1
Install crossbar assembly

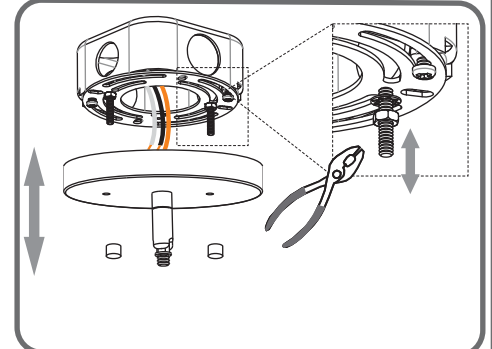


2

Step 2 - 3
Test fitting ceiling canopy to
mounting screws



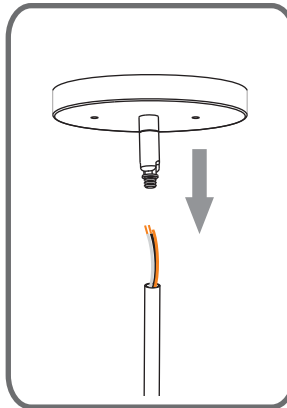
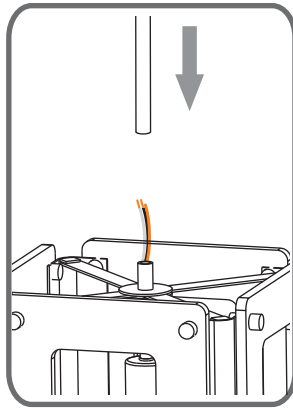
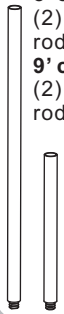
3



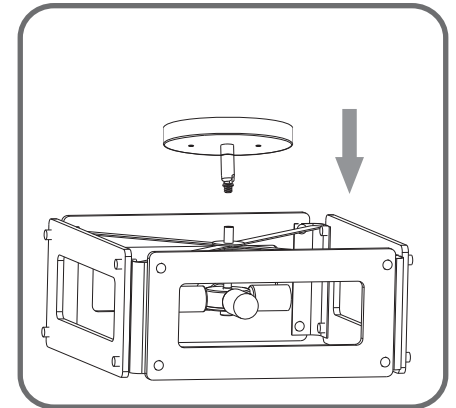
STEP 2

Optional Rods

8' ceiling:
(2) 6"L + (1) 12"L
rods
9' ceiling:
(2) 6"L + (2) 12"L
rods

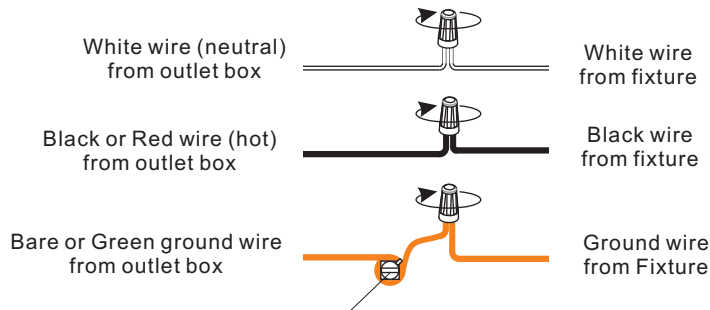


OPTION 1



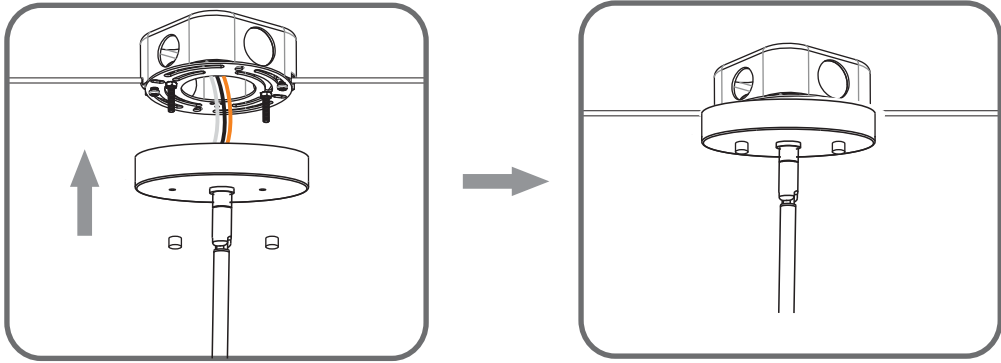
OPTION 2

STEP 3

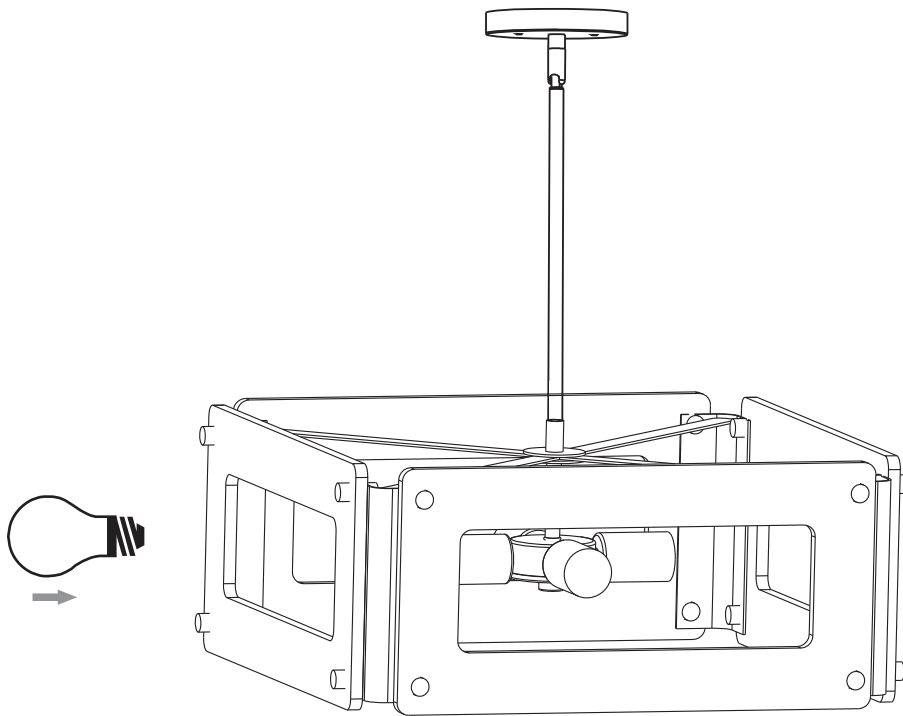


*Green Ground Screw on crossbar optional

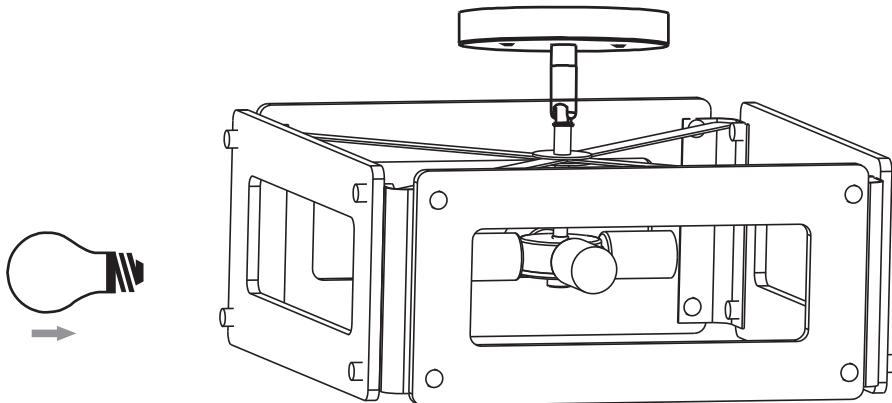
STEP 4



STEP 5



OPTION 1



OPTION 2