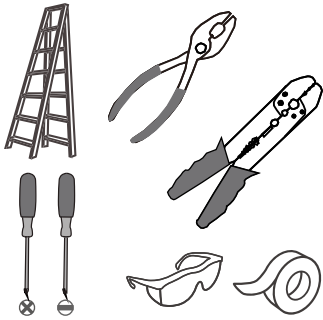
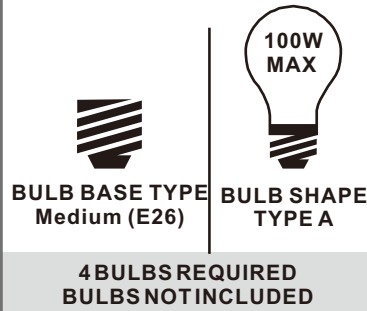


**Tools Required**



**Light Source**



**Warnings and Cautions**

Turn off the electricity at the circuit breaker before installation. Consult a licensed electrician if in doubt about installation.

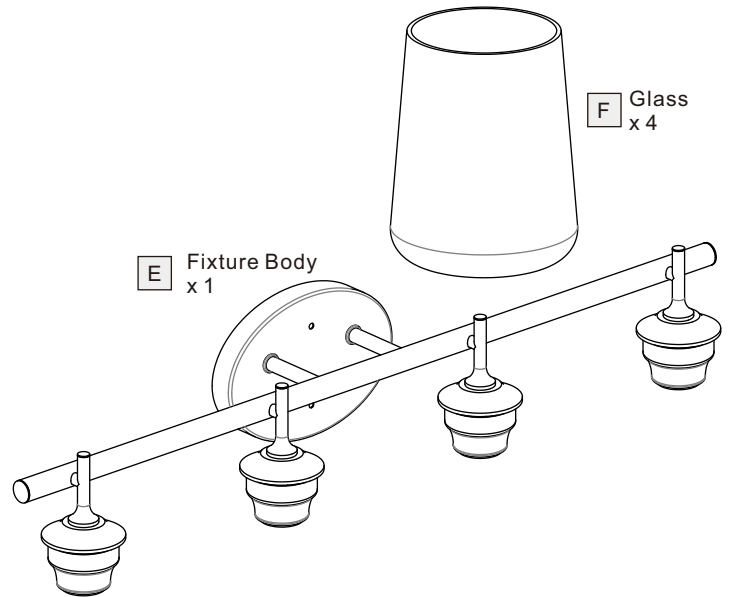
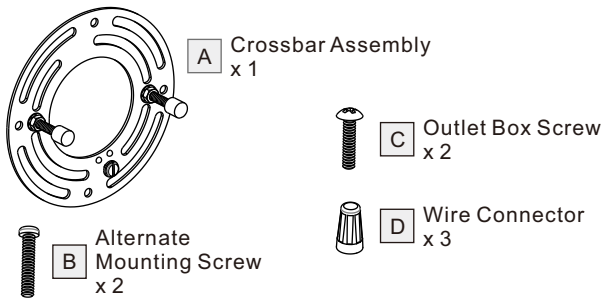
Turn off power to the fixture and allow the bulbs to cool before replacing.

**Package Contents**


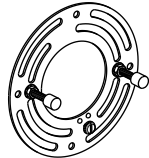
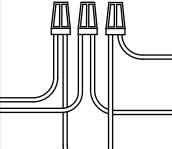
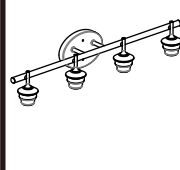

**Preparation:** Identify and inspect all parts before beginning the installation.

Missing or damaged parts? Contact your original place of purchase.

**PARTS BAG**

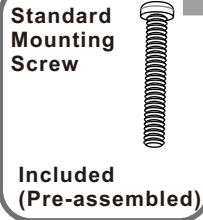


**Table of Contents**

Alternate Mounting Screw	Crossbar Assembly	Wiring	Fixture Body	Shade & Bulb
				
<b>STEP 1</b>	<b>STEP 2</b>	<b>STEP 3</b>	<b>STEP 4</b>	<b>STEP 5</b>

# STEP 1

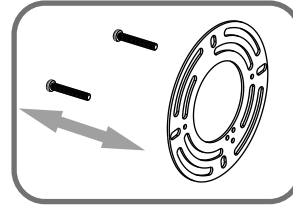
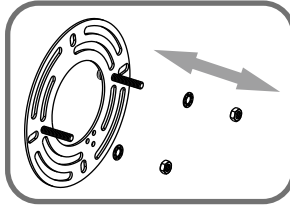
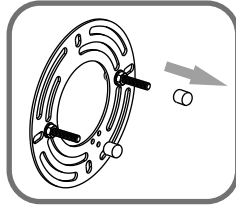
OPTION 1



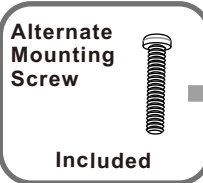
skip to next page

1 2 3

Steps 1-3 to remove standard mounting screws



OPTION 2



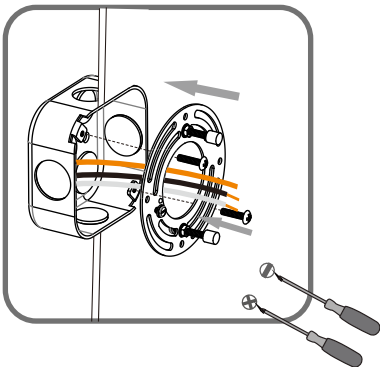
Steps 4-6 to reassemble with alternate mounting screws

6 5

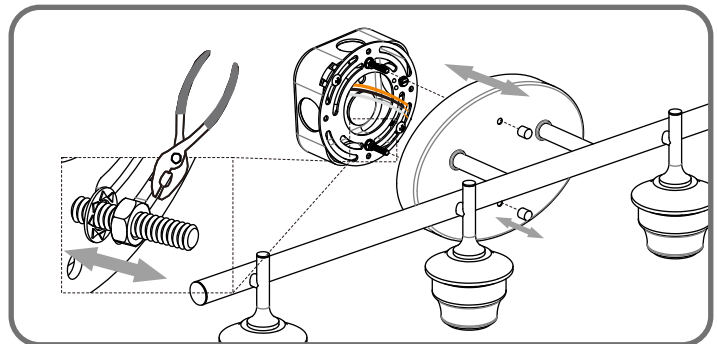
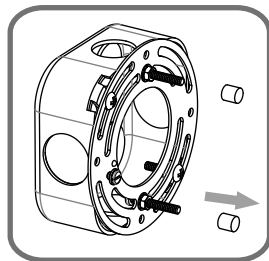
# STEP 2

1 2 3

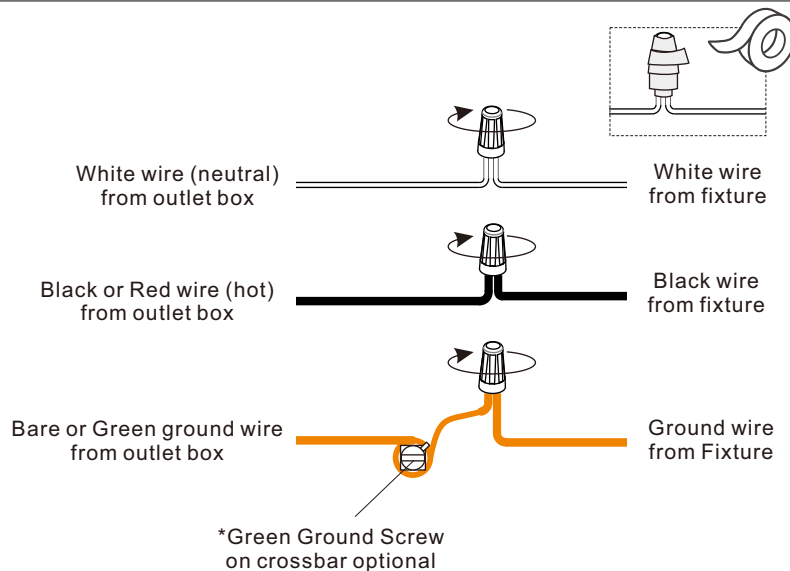
Step 1  
Install crossbar assembly



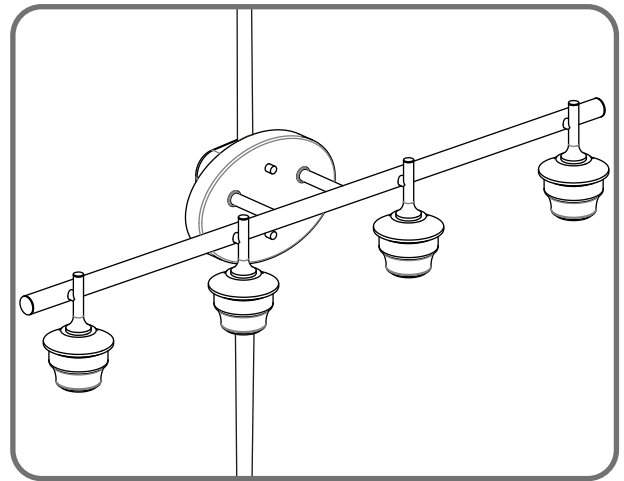
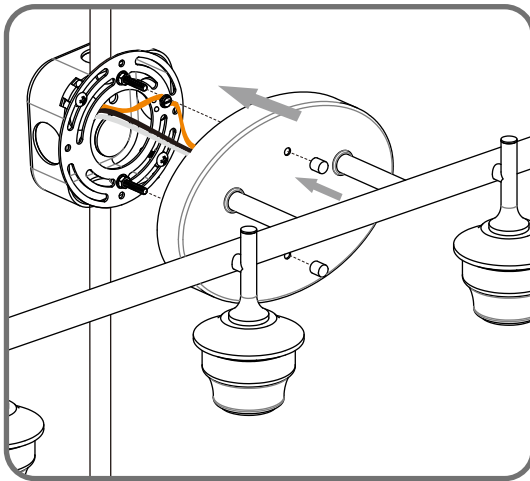
Step 2 - 3  
Test fitting backplate to mounting screws



# STEP 3



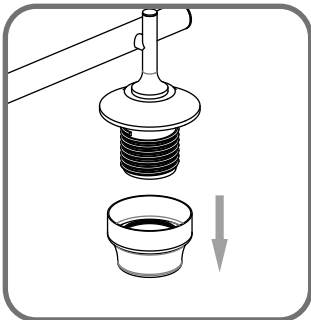
## STEP 4



## STEP 5

1

Remove socket collar



2

Install glass and bulb

