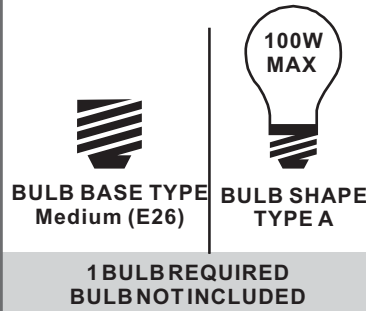


Tools Required



Light Source



**Warnings and Cautions**

Turn off the electricity at the circuit breaker before installation. Consult a licensed electrician if in doubt about installation.

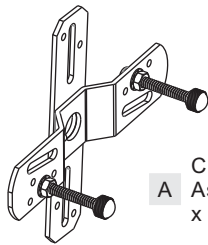
Turn off power to the fixture and allow the bulbs to cool before replacing.

Package Contents

**Preparation:** Identify and inspect all parts before beginning the installation.

Missing or damaged parts? Contact your original place of purchase.

PARTS BAG



A Crossbar Assembly x 1



B Alternate Mounting Screw x 2



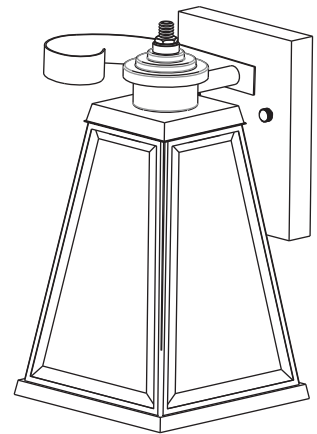
C Outlet Box Screw x 2



D Wire Connector x 3



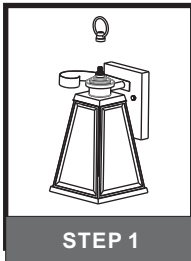
E Fixture Loop x 1



F Fixture Body x 1

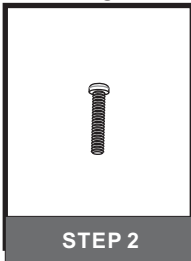
Table of Contents

Fixture Loop & Scroll



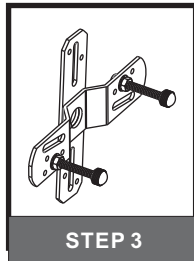
STEP 1

Alternate Mounting Screw



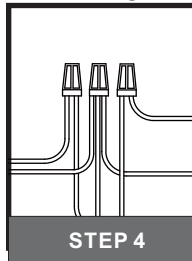
STEP 2

Crossbar Assembly



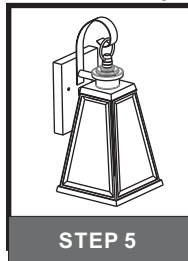
STEP 3

Wiring



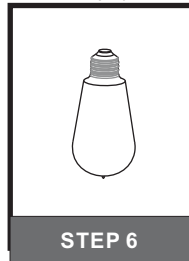
STEP 4

Fixture Body



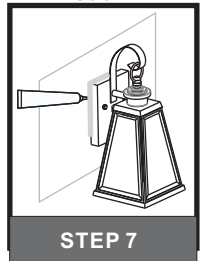
STEP 5

Bulb



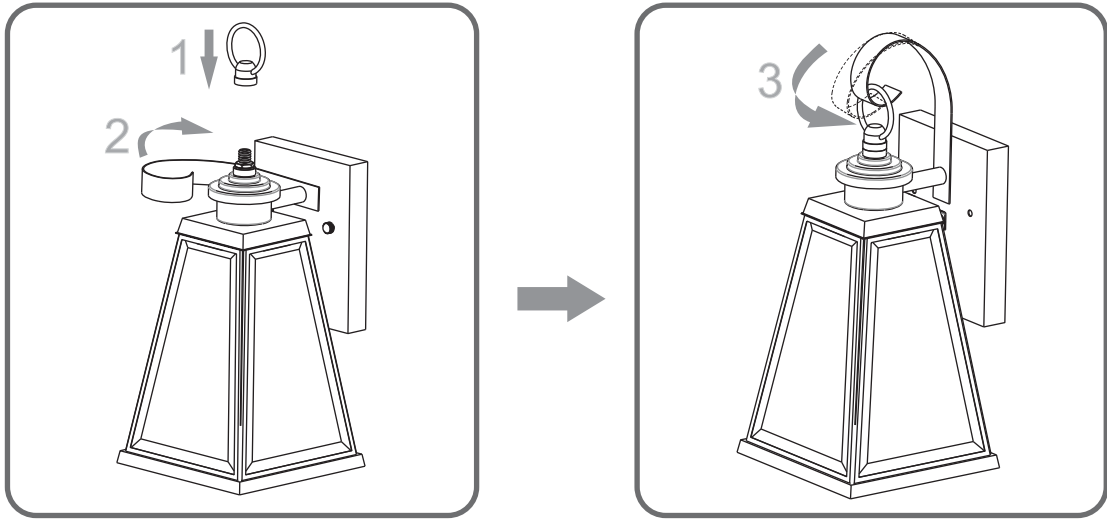
STEP 6

Caulk



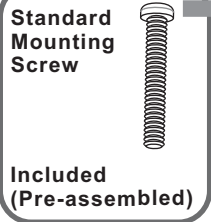
STEP 7

**STEP 1**

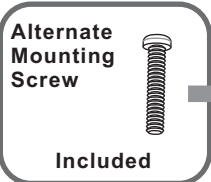


**STEP 2**

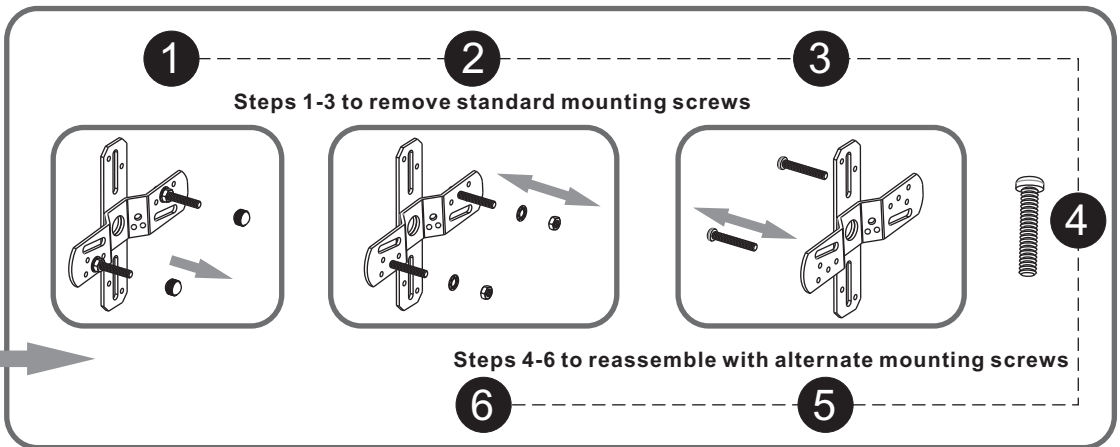
**OPTION 1**



**OPTION 2**



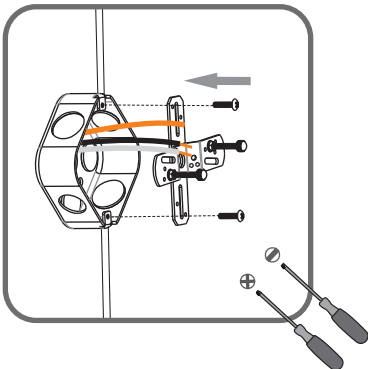
skip to next page



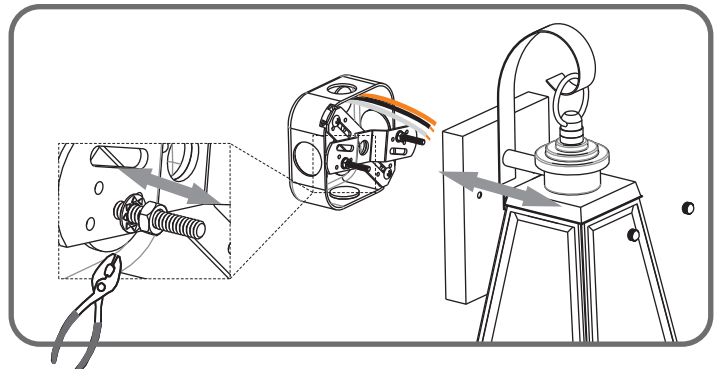
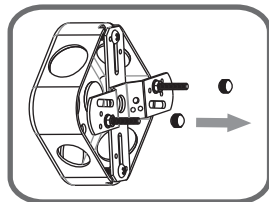
**STEP 3**

1 ----- 2 ----- 3

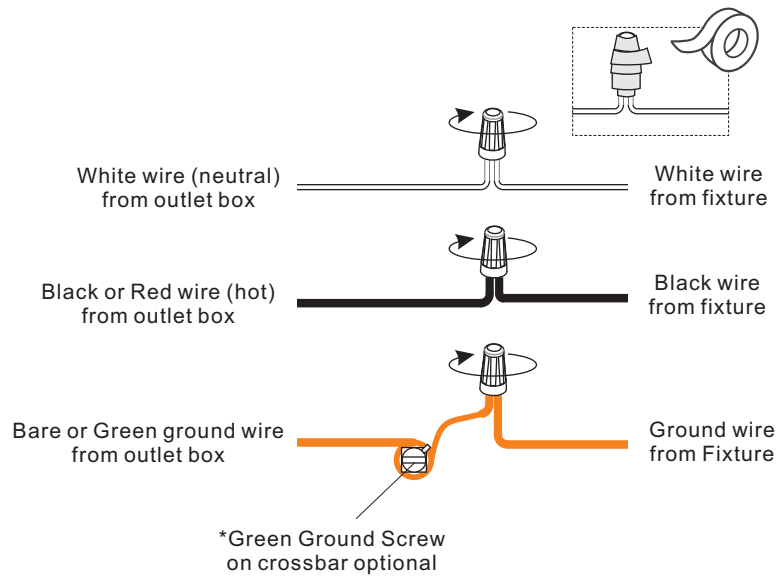
**Step 1**  
Install crossbar assembly



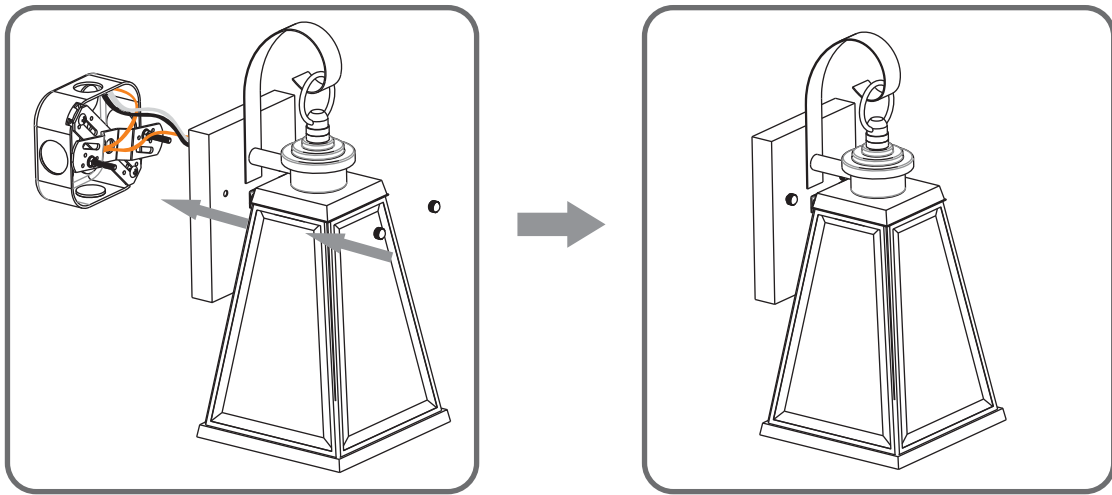
**Step 2 - 3**  
Test fitting backplate to mounting screws



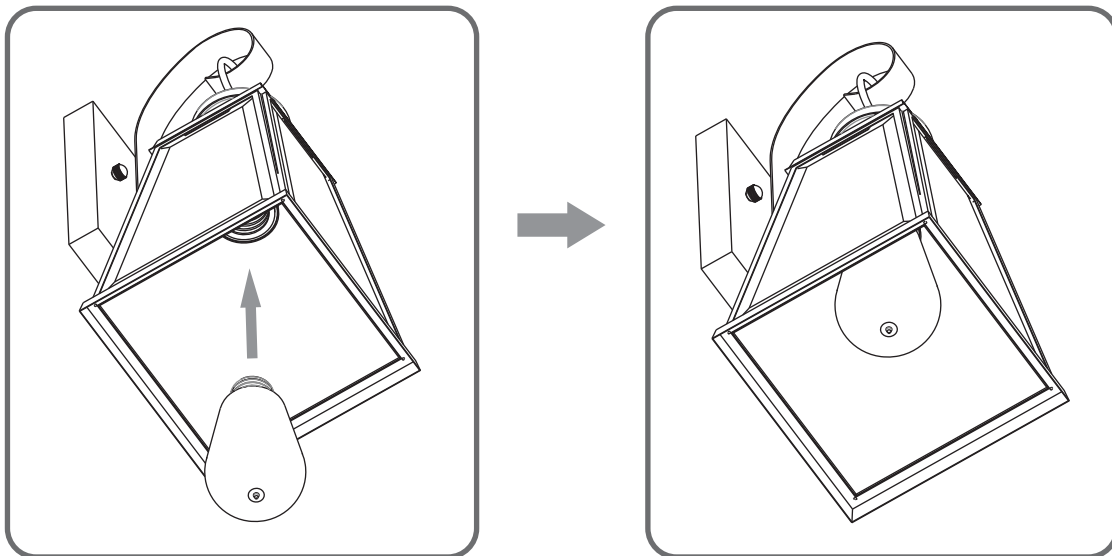
## STEP 4



## STEP 5



## STEP 6



**STEP 7**

