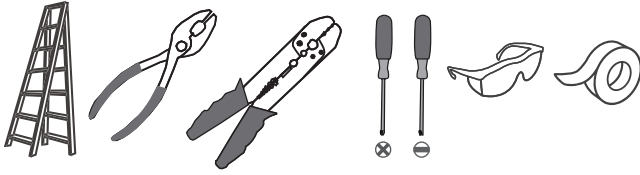


Tools Required



Light Source

6W
LED

Warnings and Cautions

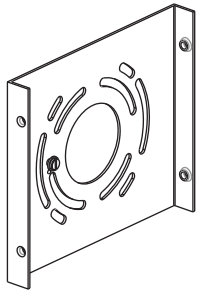
Turn off the electricity at the circuit breaker before installation. Consult a licensed electrician if in doubt about installation.

Package Contents

Preparation: Identify and inspect all parts before beginning the installation.

Missing or damaged parts? Contact your original place of purchase.

PARTS BAG

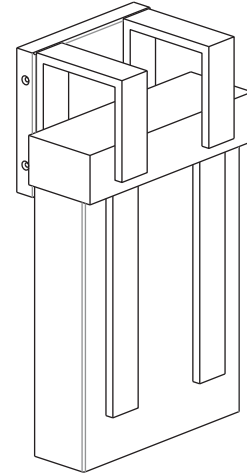


A Inner Backplate
x 1

B Lock Screw
x 4

C Outlet Box Screw
x 2

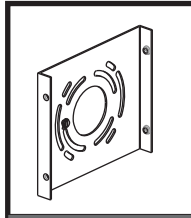
D Wire Connector
x 3



E Fixture Body
x 1

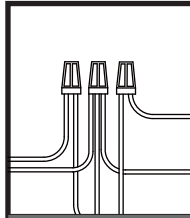
Table of Contents

Inner Backplate



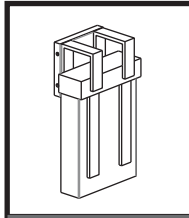
STEP 1

Wiring



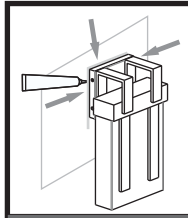
STEP 2

Fixture Body



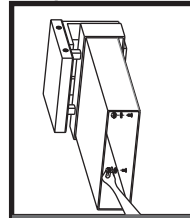
STEP 3

Caulk



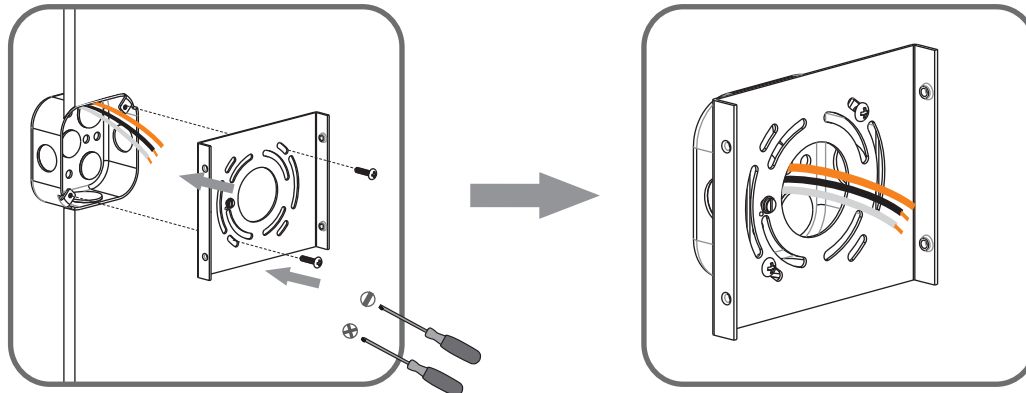
STEP 4

Replace Shade

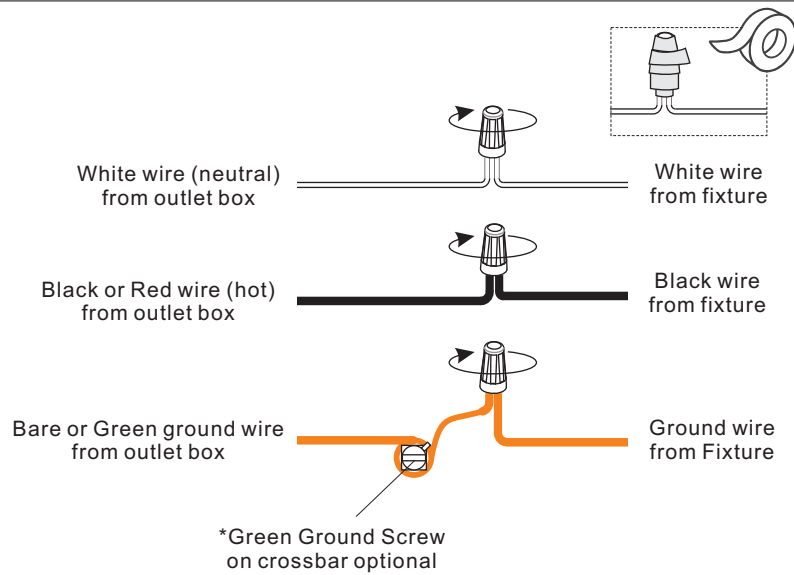


STEP 5

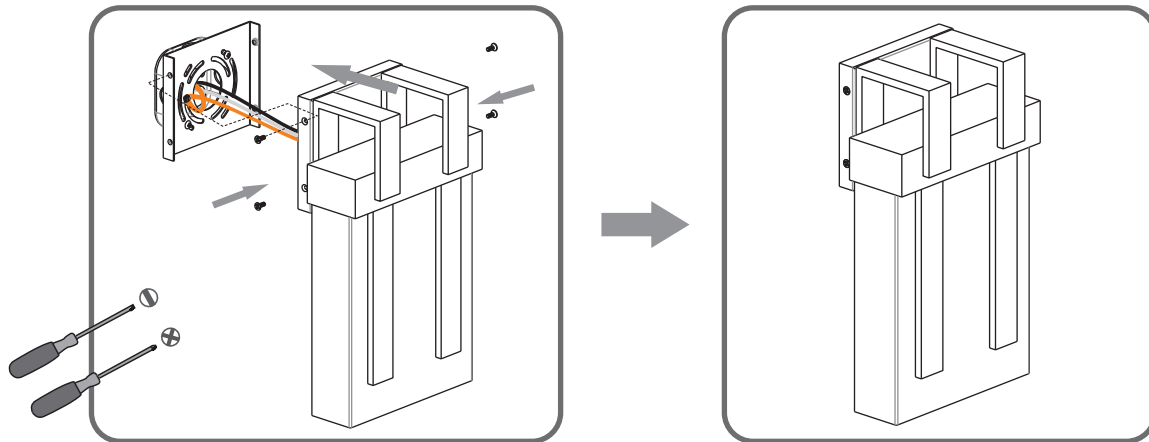
STEP 1



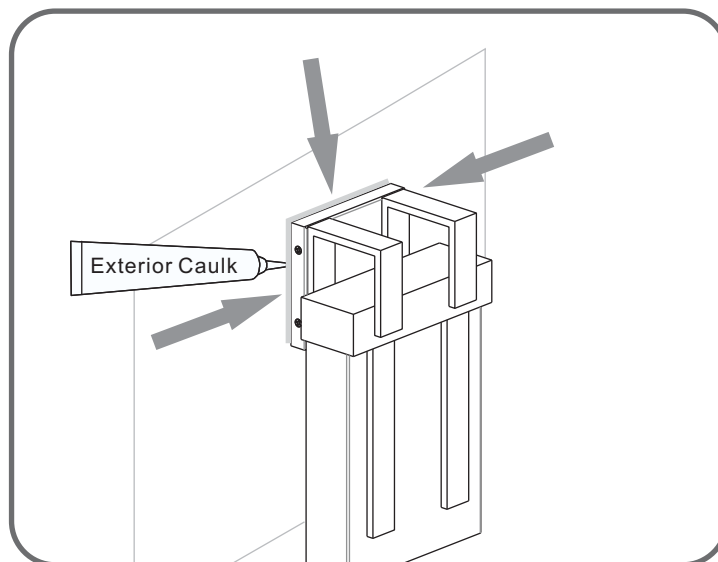
STEP 2



STEP 3



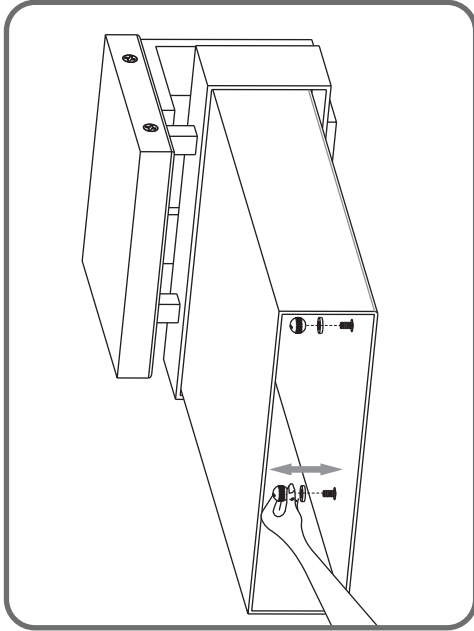
STEP 4



STEP 5 - How To Replace Shade

1

Remove lock balls and washers



Reinstall lock balls and washers

3

2

Replace shade

