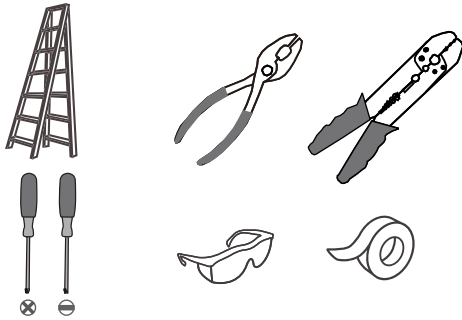
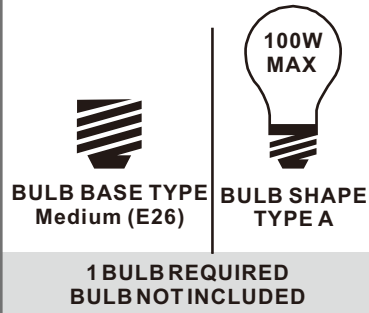


Tools Required



Light Source



**Fixture Height Adjustable
18.5" to 54.5"**

⚠ Warnings and Cautions

Turn off the electricity at the circuit breaker before installation. Consult a licensed electrician if in doubt about installation.

Turn off power to the fixture and allow the bulbs to cool before replacing.

Package Contents

Preparation: Identify and inspect all parts before beginning the installation.

Missing or damaged parts? Contact your original place of purchase.

PARTS BAG

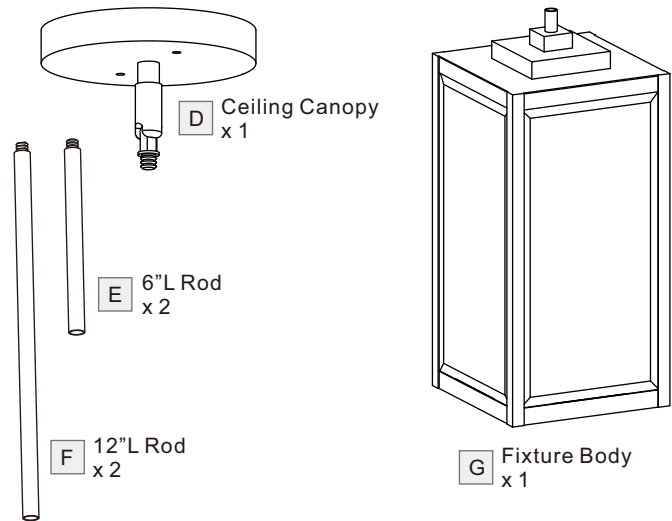
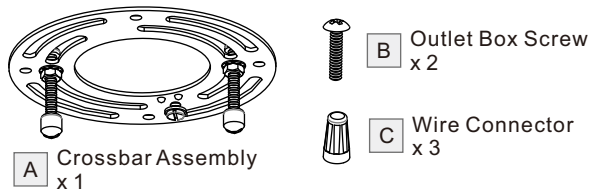
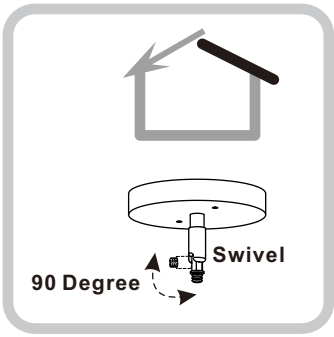


Table of Contents

Crossbar Assembly	Downrod	Wiring	Ceiling Canopy	Bulb
STEP 1	STEP 2	STEP 3	STEP 4	STEP 5

STEP 1

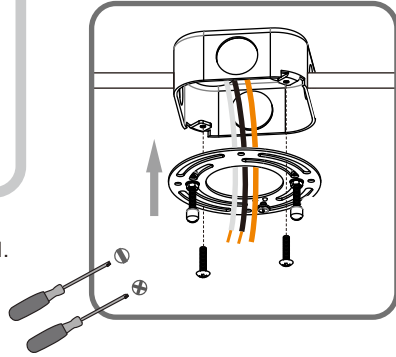


90 Degree Swivel

For angled ceilings, Swivel opening towards wall.

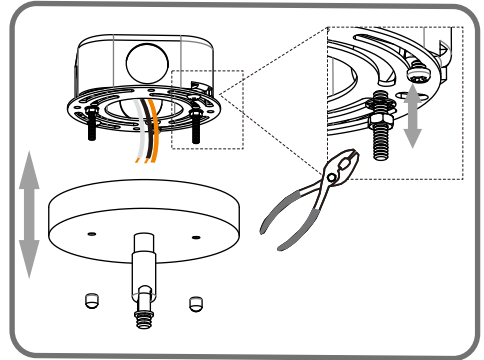
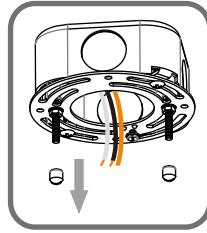
1

Step 1
Install crossbar assembly



2

Step 2 - 3
Test fitting ceiling canopy to mounting screws



3

STEP 2

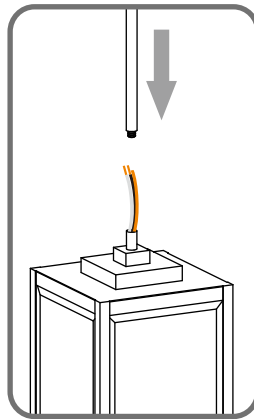
Optional Rods

8' ceiling:
(1) 6" L + (1) 12" L rod

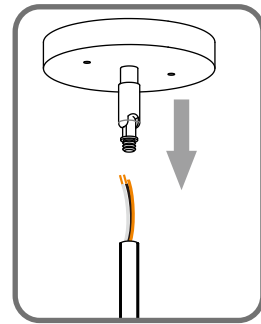
9' ceiling:
(1) 6" L + (2) 12" L rods

10' ceiling:
(2) 6" L + (2) 12" L rods

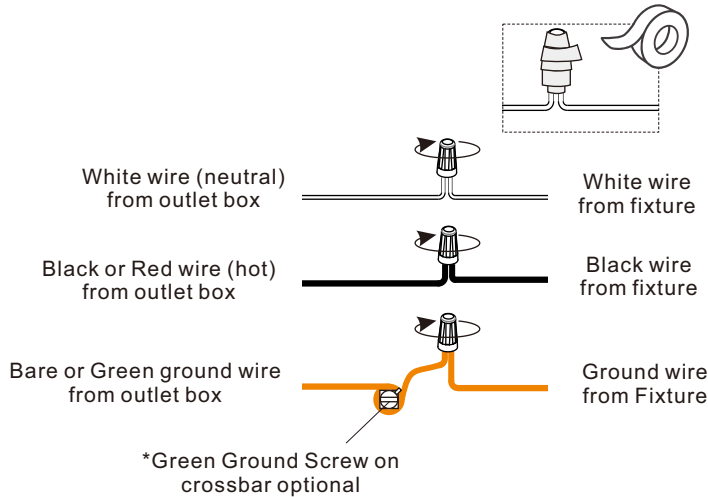
1



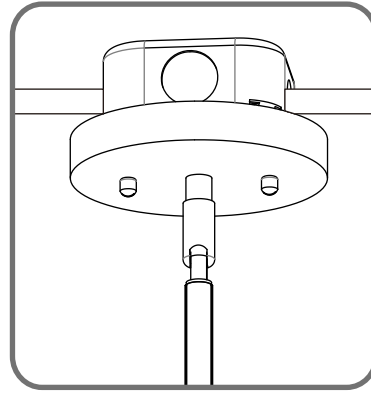
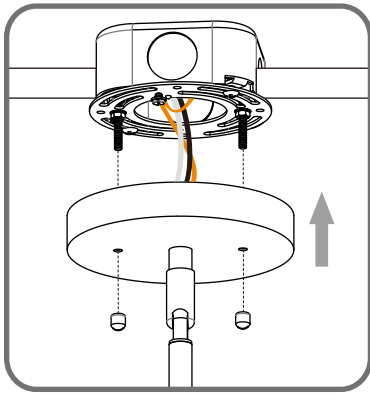
2



STEP 3



STEP 4



STEP 5

