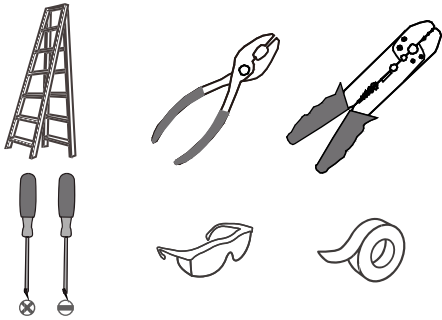
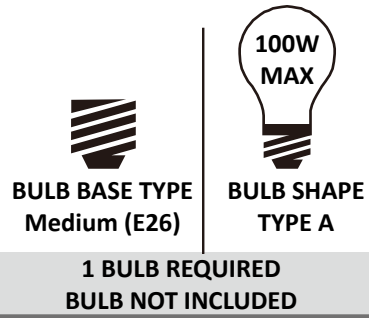


Tools Required



Light Source



Warnings and Cautions

Turn off the electricity at the circuit breaker before installation. Consult a licensed electrician if in doubt about installation.

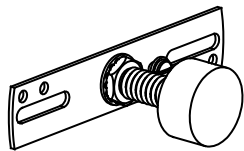
Turn off power to the fixture and allow the bulbs to cool before replacing.

Package Contents

Preparation: Identify and inspect all parts before beginning the installation.

Missing or damaged parts? Contact your original place of purchase.

PARTS BAG



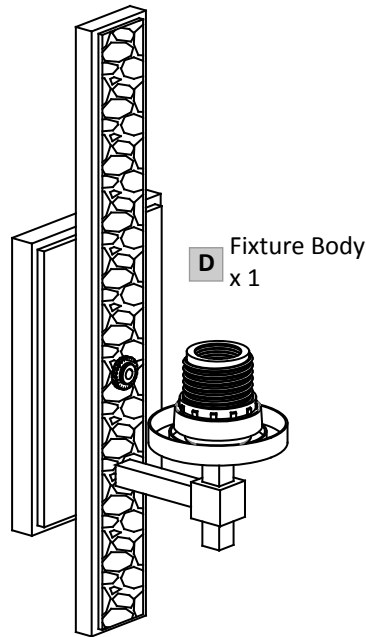
A Crossbar Assembly x 1



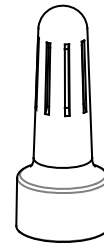
B Outlet Box Screw x 2



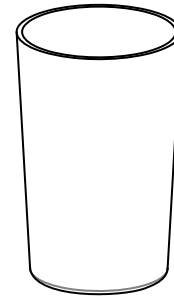
C Wire Connector x 3



D Fixture Body x 1

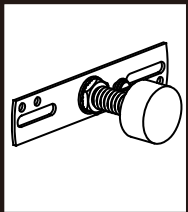
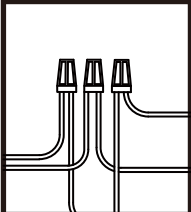
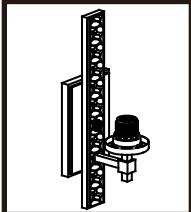
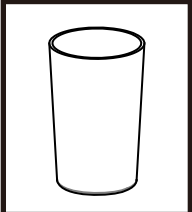



E Socket Collar Tool x 1



F Glass Shade x 1

Table of Contents

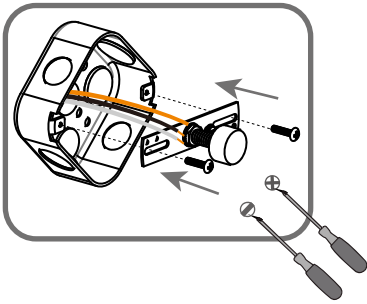
Crossbar Assembly	Wiring	Fixture Body	Glass Shade	Bulb
				
STEP 1	STEP 2	STEP 3	STEP 4	STEP 5

STEP 1

1

Step 1

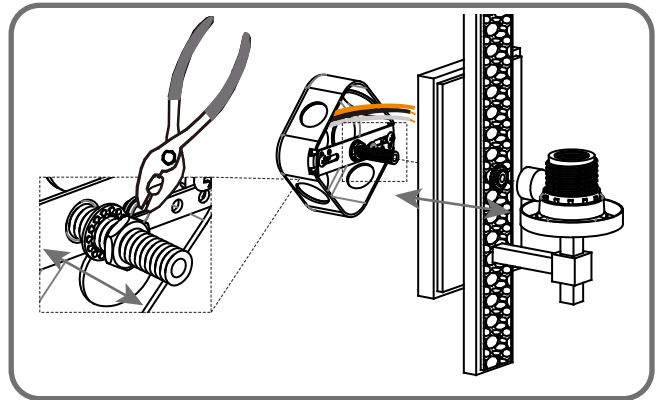
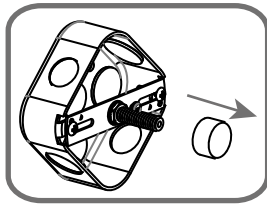
Install crossbar assembly



2

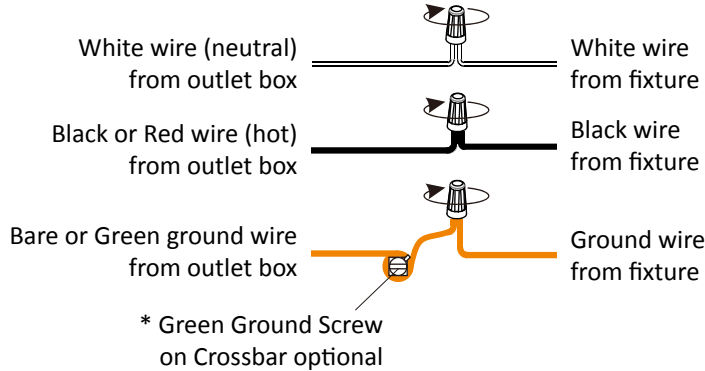
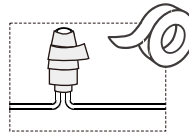
Step 2-3

Tes fitting backplate to mounting screws

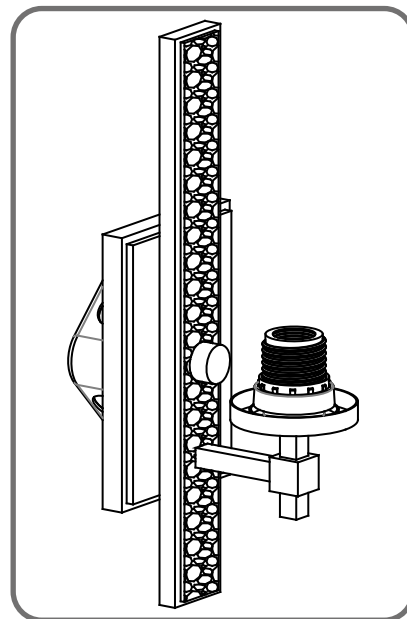
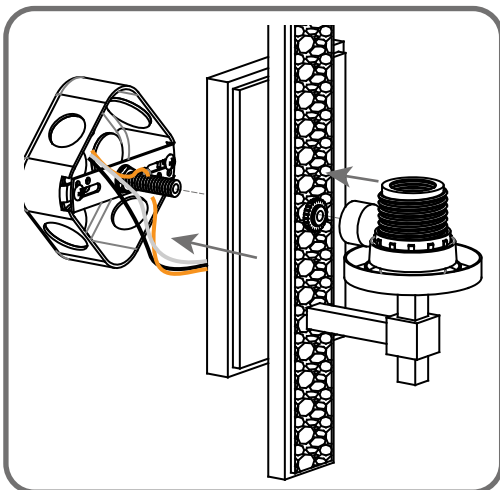


3

STEP 2



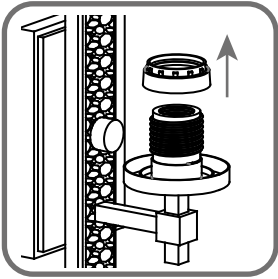
STEP 3



STEP 4

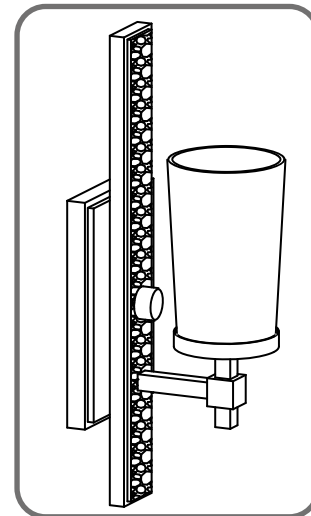
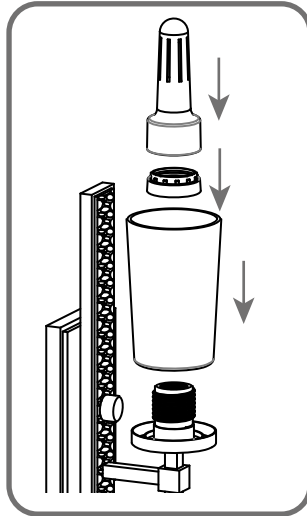
1

Remove socket collar



2

Install glass shade



STEP 5

