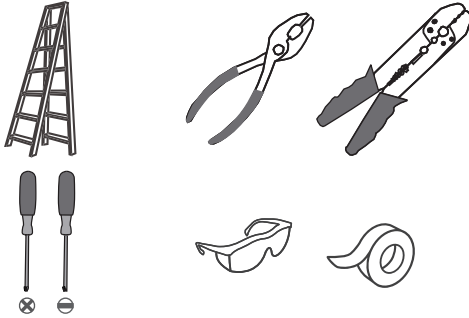


Tools Required



Light Source

25W
LED

Warnings and Cautions

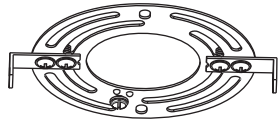
Turn off the electricity at the circuit breaker before installation. Consult a licensed electrician if in doubt about installation.

Package Contents

Preparation: Identify and inspect all parts before beginning the installation.

Missing or damaged parts? Contact your original place of purchase.

PARTS BAG



A Crossbar
x 1



B Lock Screw
x 2



C Wall Anchor
x 5



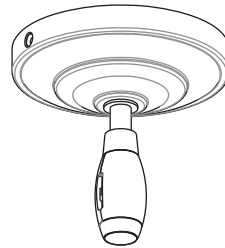
E Outlet Box Screw
x 2



D Screw
x 5



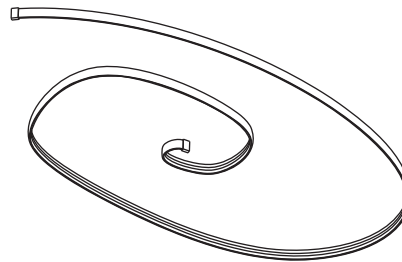
F Wire Connector
x 3



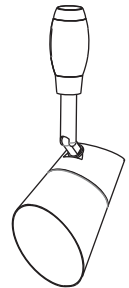
G Ceiling Canopy
x 1



I Rail Support
x 5


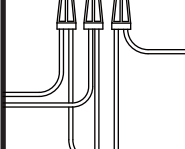






H Rail
x 1

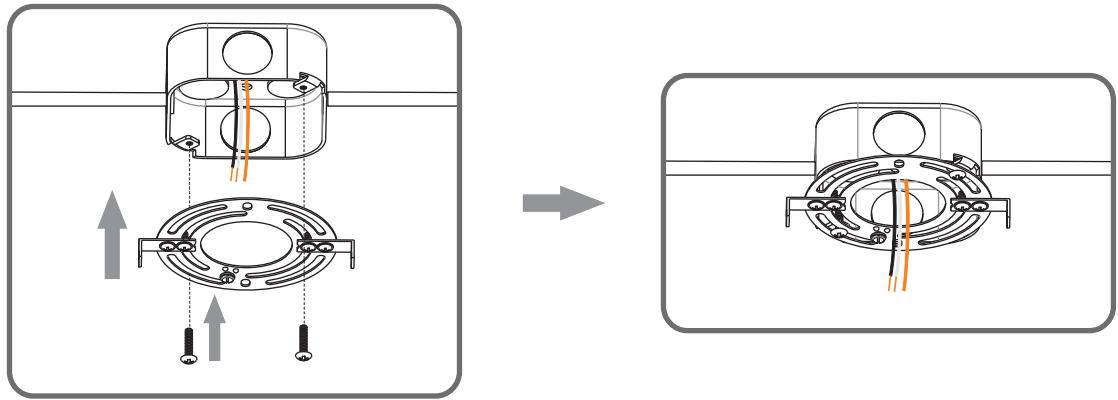


G Spot Light
x 5

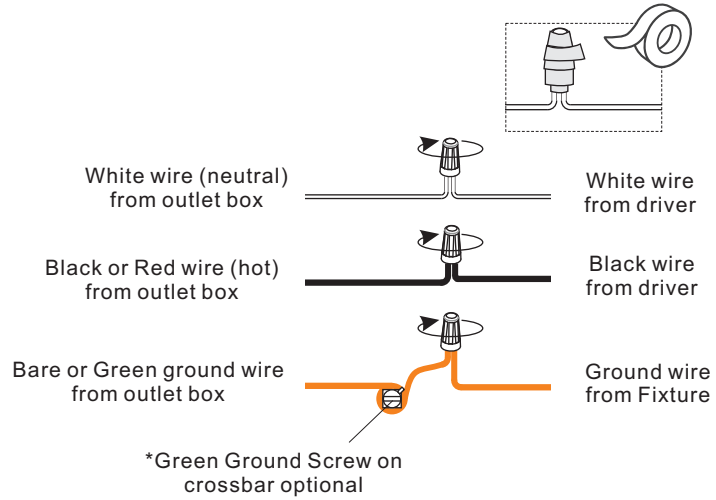
Table of Contents

Crossbar	Wiring	Ceiling Canopy	Rail Support	Rail	Spot Light
					
STEP 1	STEP 2	STEP 3	STEP 4	STEP 5	STEP 6

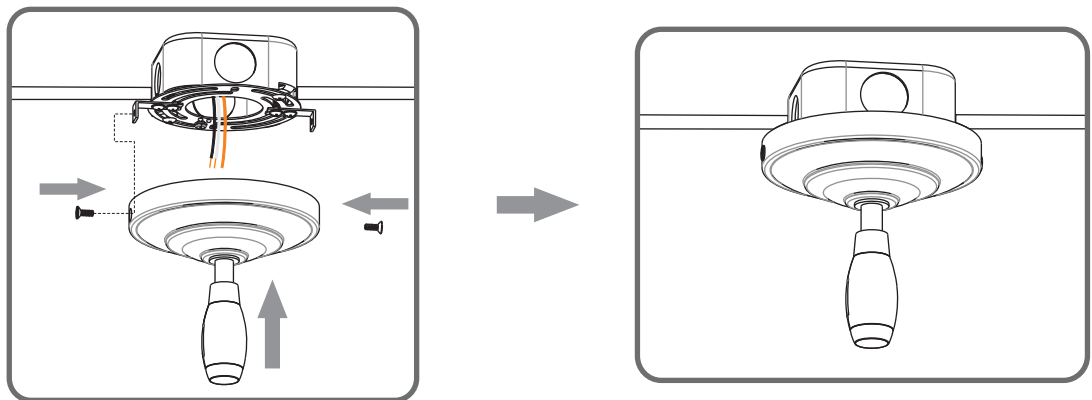
STEP 1



STEP 2



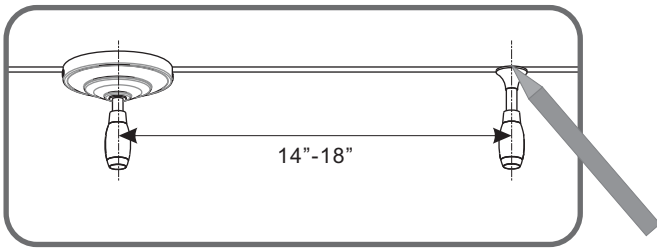
STEP 3



STEP 4

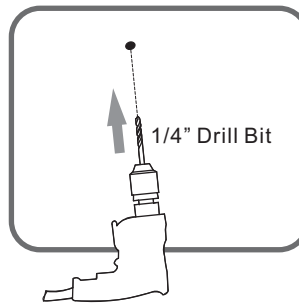
1

Mark location on the ceiling for rail supports



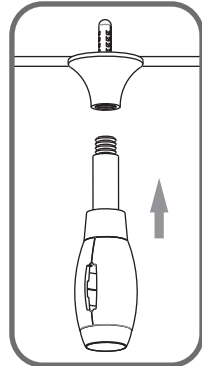
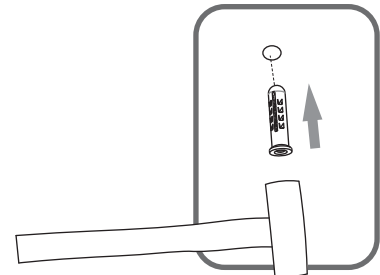
2

Drill holes for anchors from marks

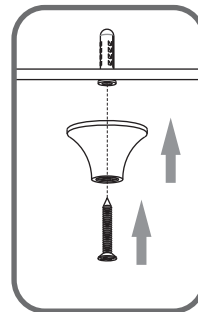


3

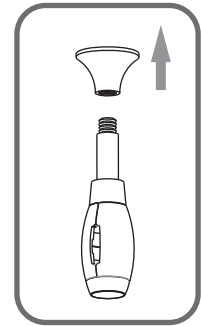
Install wall anchors



Install rail support



Install support base



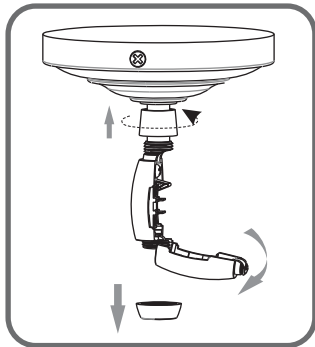
Remove support base

6

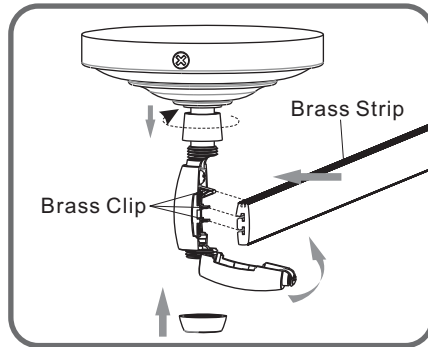
5

4

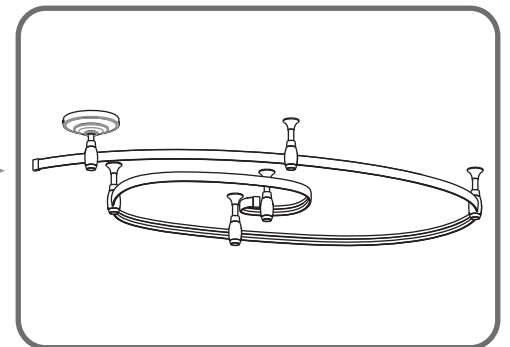
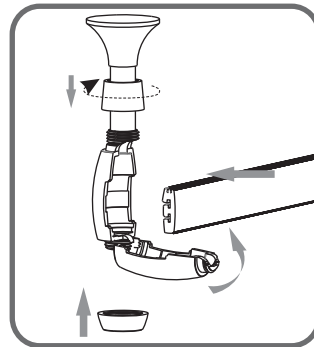
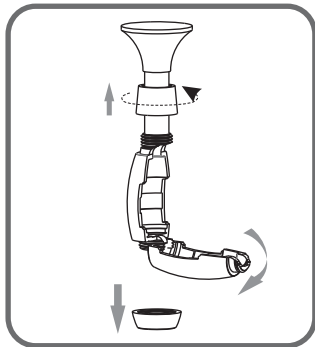
STEP 5



1

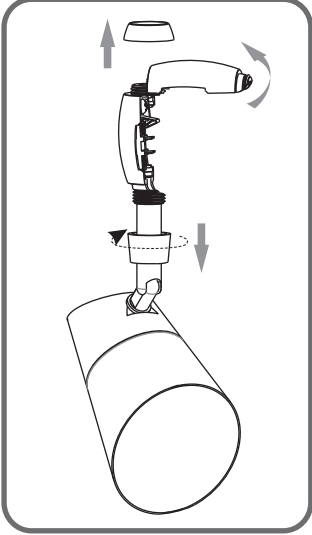


2



STEP 6

1



2

