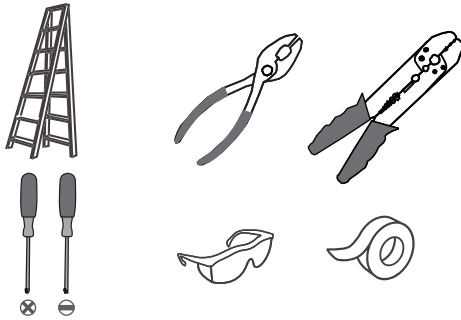
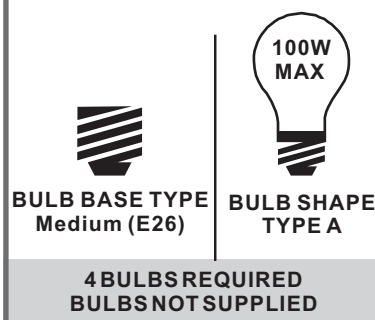


Tools Required



Light Source



Warnings and Cautions

Turn off the electricity at the circuit breaker before installation. Consult a licensed electrician if in doubt about installation.

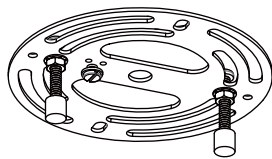
Turn off power to the fixture and allow the bulbs to cool before replacing.

Package Contents

Preparation: Identify and inspect all parts before beginning the installation.

Missing or damaged parts? Contact your original place of purchase.

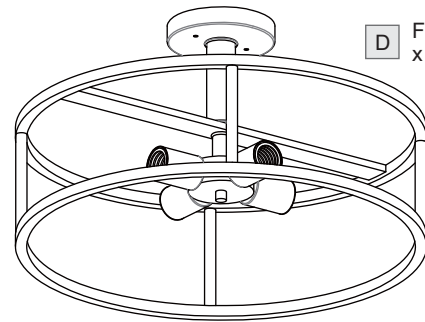
PARTS BAG



A Crossbar Assembly x 1

B Outlet Box Screw x 2

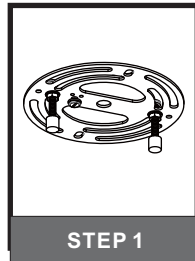
C Wire Connector x 3



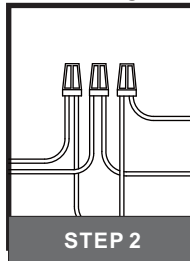
D Fixture Body x 1

Table of Contents

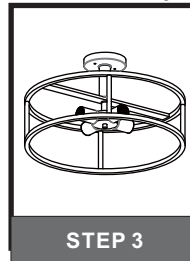
Crossbar Assembly



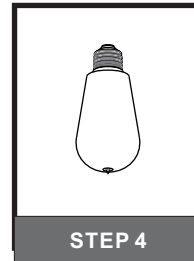
Wiring



Fixture Body



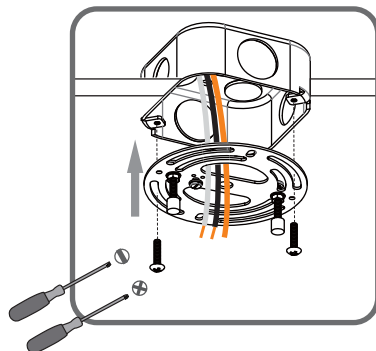
Bulb



STEP 1

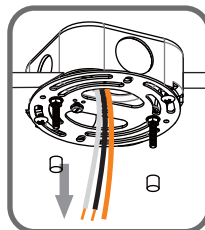
1

Step 1
Install crossbar assembly

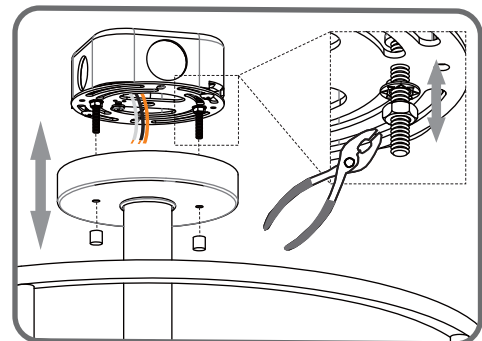


2

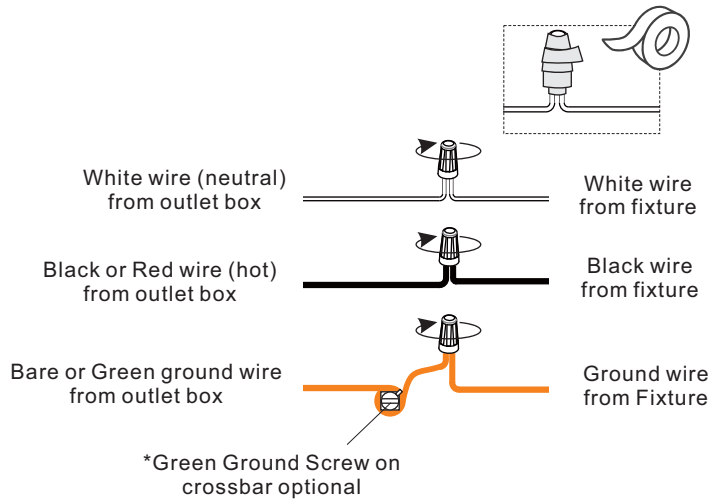
Step 2 - 3
Test fitting ceiling canopy to mounting screws



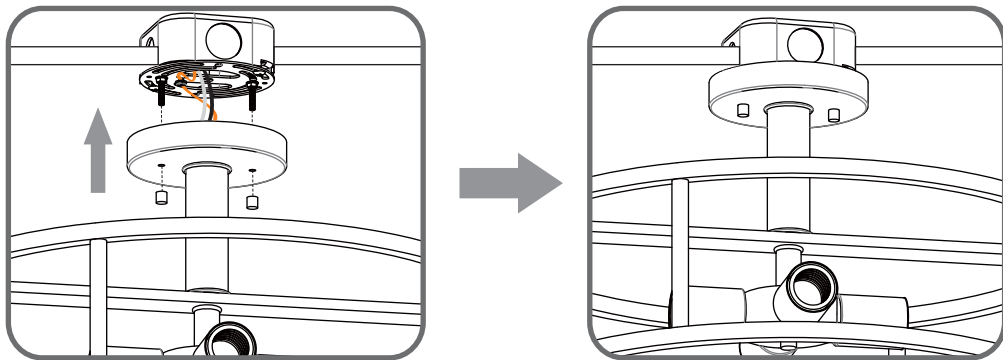
3



STEP 2



STEP 3



STEP 4

