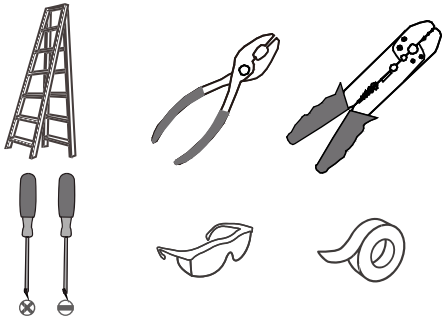
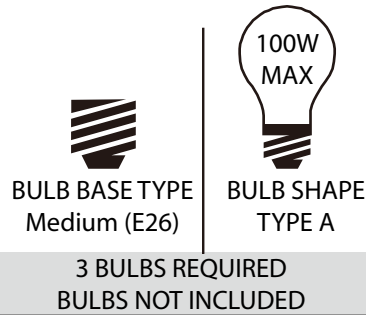


Tools Required



Light Source



⚠ Warnings and Cautions

Turn off the electricity at the circuit breaker before installation. Consult a licensed electrician if in doubt about installation.

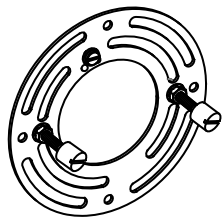
Turn off power to the fixture and allow the bulbs to cool before replacing.

Package Contents

Preparation: Identify and inspect all parts before beginning the installation.

Missing or damaged parts? Contact your original place of purchase.

PARTS BAG



A Crossbar Assembly
x 1



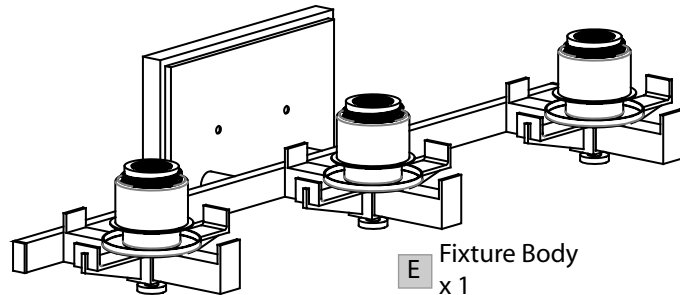
B Alternate Mounting Screw
x 2



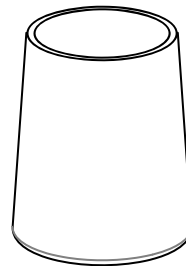
C Outlet Box Screw
x 2



D Wire Connector
x 3



E Fixture Body
x 1



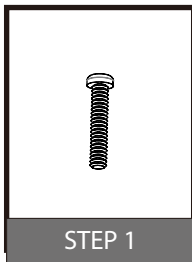
G Glass Shade
x 3



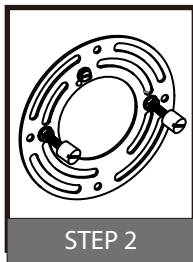
F Shrink-ring
x 3

Table of Contents

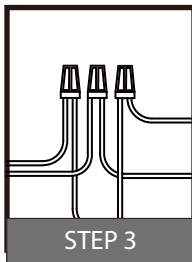
Alternate Mounting Screw



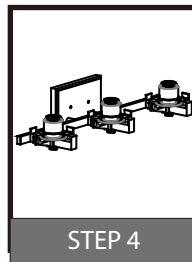
Crossbar Assembly



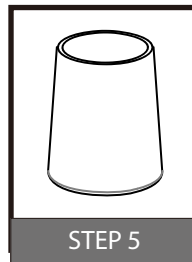
Wiring



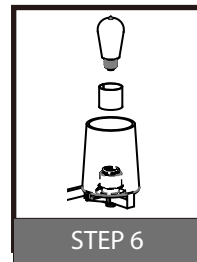
Fixture Body



Glass Shade



Shrink-ring & Bulb



STEP 1

OPTION 1

Mounting Screw

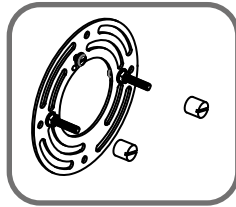
Included
(Pre-assembled)



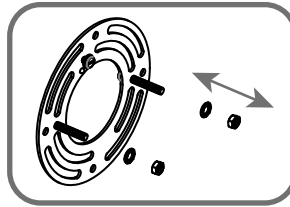
Skip to next step

1

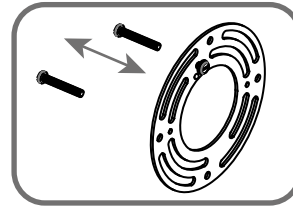
Steps 1-3 to remove standard mounting screws



2



3



4



Steps 4-6 to reassemble with alternate mounting screws

6

5

OPTION 2

Alternate Mounting Screw

Included

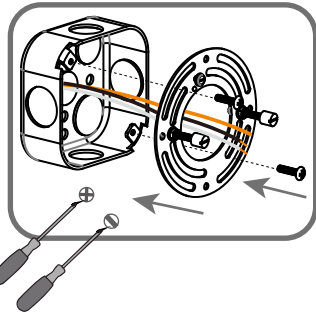


STEP 2

1

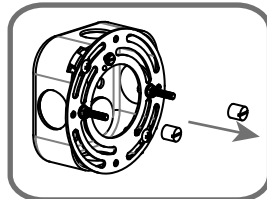
Step 1

Install crossbar assembly

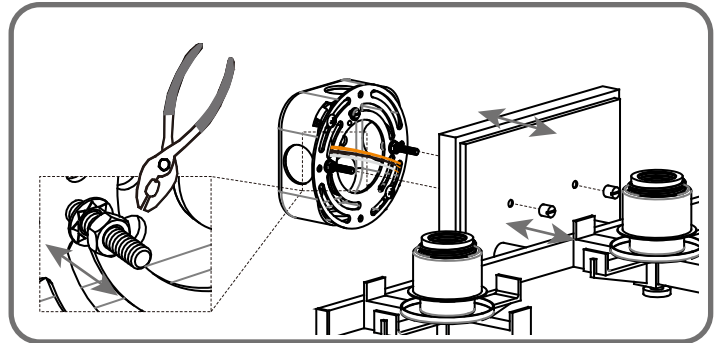


2

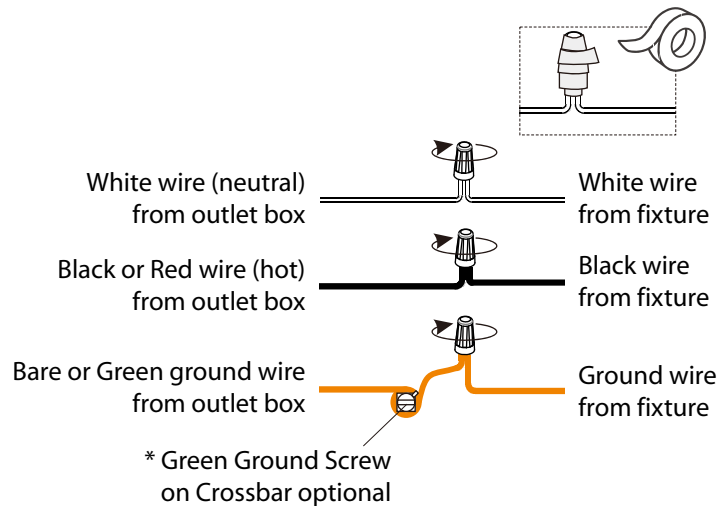
Step 2-3
Tie fitting backplate to mounting screws



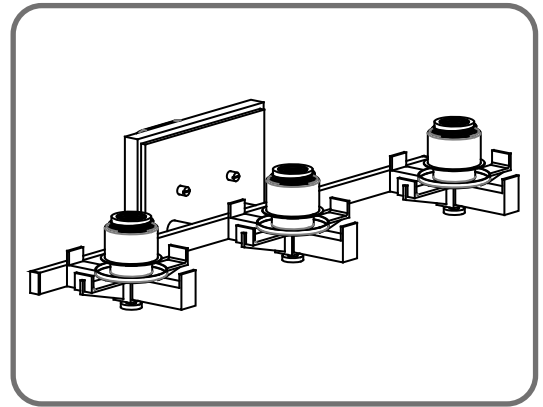
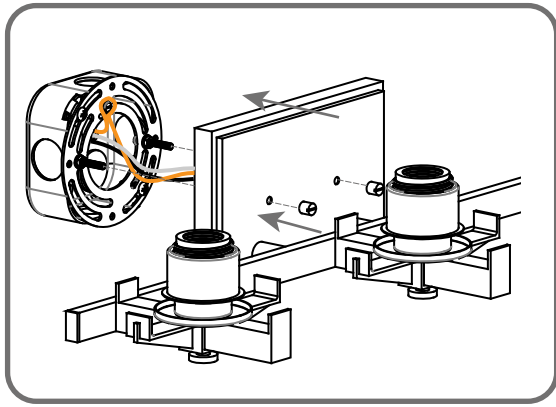
3



STEP 3



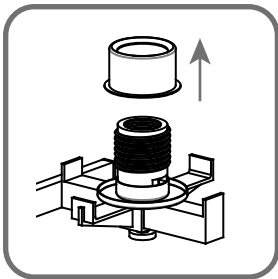
STEP 4



STEP 5

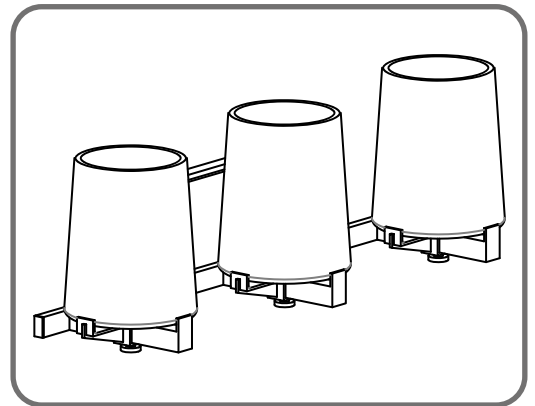
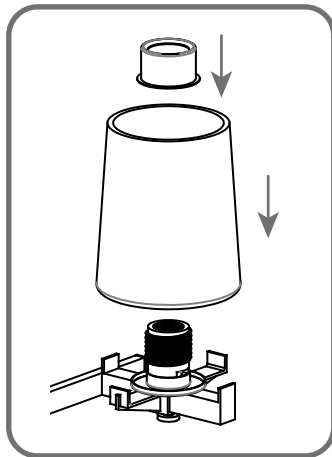
1

Remove socket collar



2

Install glass shade



STEP 6

The gap of the shrink-ring is against the backplate.

