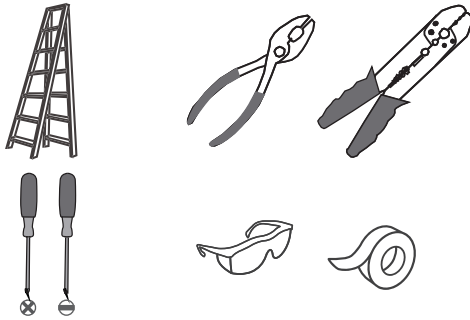


Tools Required



Light Source

51W
LED

Fixture Height Adjustable
10.25" to 46.25"

⚠ Warnings and Cautions

Turn off the electricity at the circuit breaker before installation. Consult a licensed electrician if in doubt about installation.

Package Contents

Preparation: Identify and inspect all parts before beginning the installation.

Missing or damaged parts? Contact your original place of purchase.

PARTS BAG

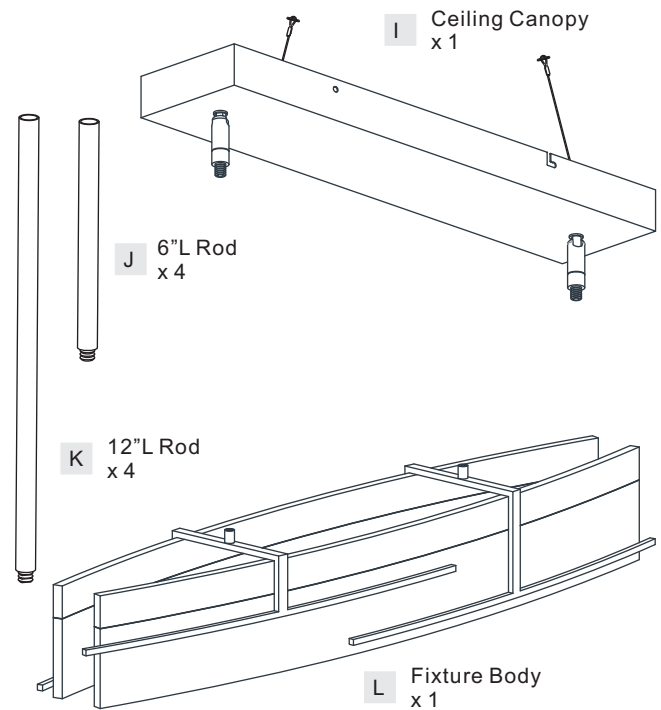
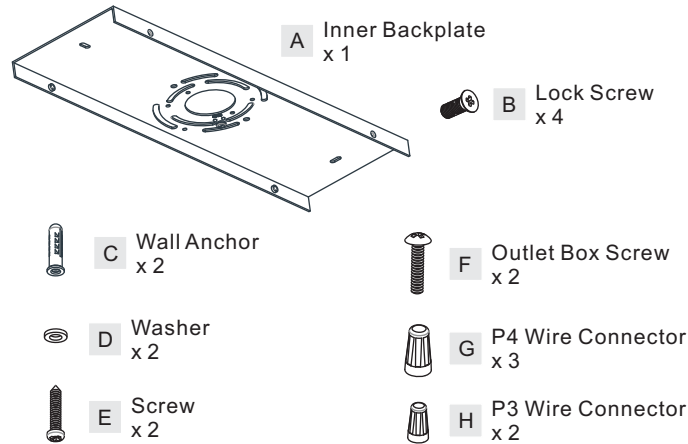


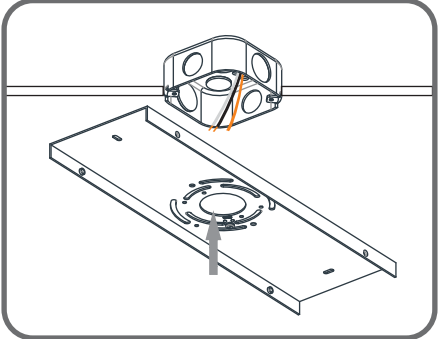
Table of Contents

Inner Backplate	Rods to Fixture Body	Ceiling Canopy to upper rods	Wiring to Driver	Lanyard	Wiring to Outlet Box	Ceiling Canopy to Ceiling
STEP 1	STEP 2	STEP 3	STEP 4	STEP 5	STEP 6	STEP 7

STEP 1

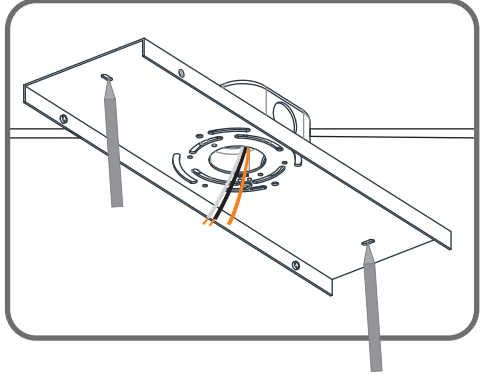
1

Fit inner backplate to outlet box



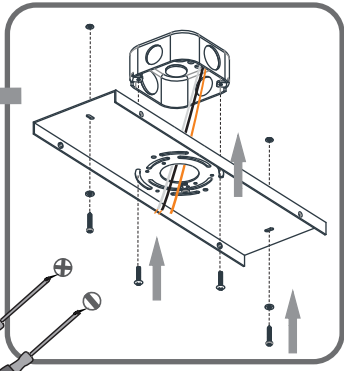
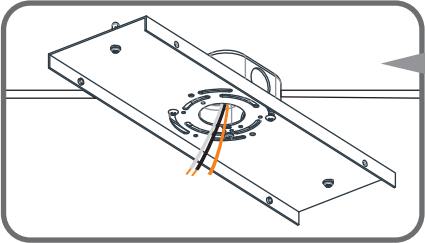
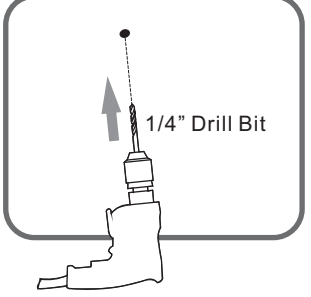
2

Mark anchor holes location on the ceiling

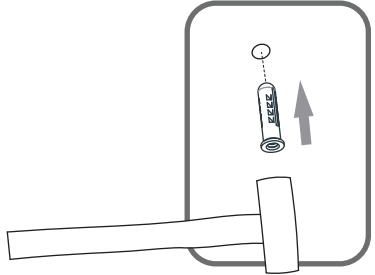


3

Drill holes for anchors from marks



Install inner backplate



Install wall anchors

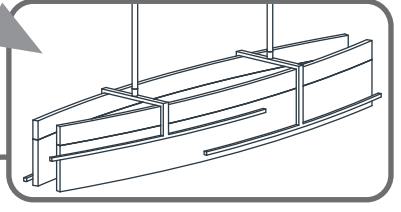
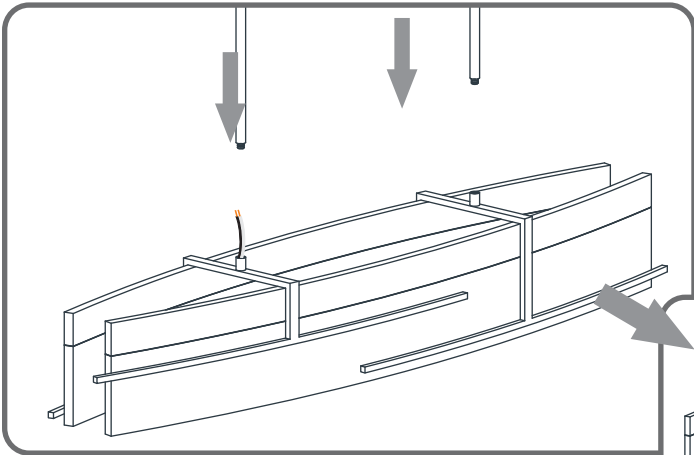
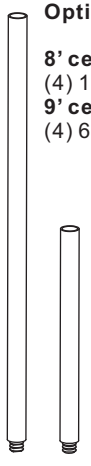
5

4

STEP 2

Optional Rods

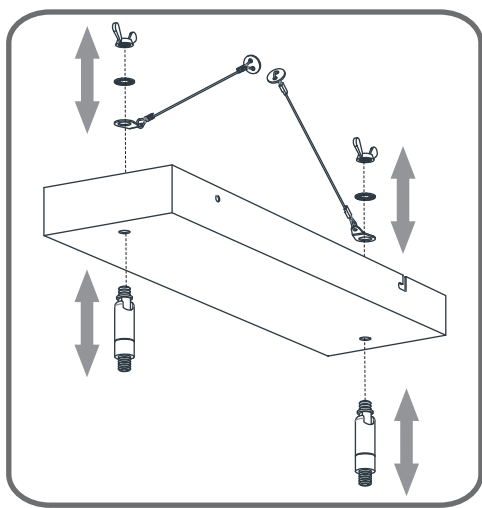
- 8' ceiling:
(4) 12"L rods
- 9' ceiling:
(4) 6"L + (4) 12"L rods



STEP 3

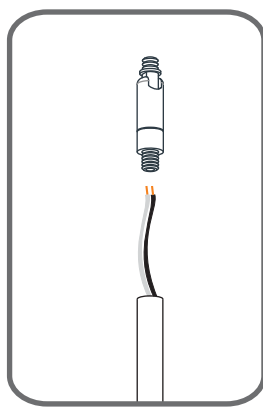
1

Separate Swivels from ceiling canopy



2

Install Swivels to upper rods

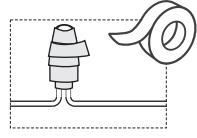


Reinstall ceiling canopy to swivels

3

STEP 4

P3 Wire Connector



Red wire from driver



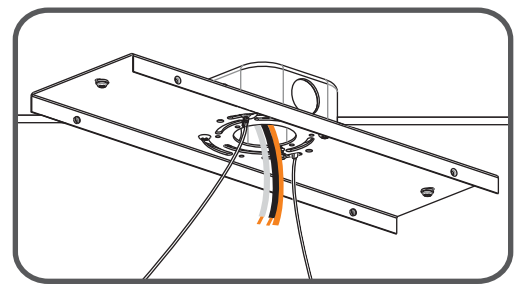
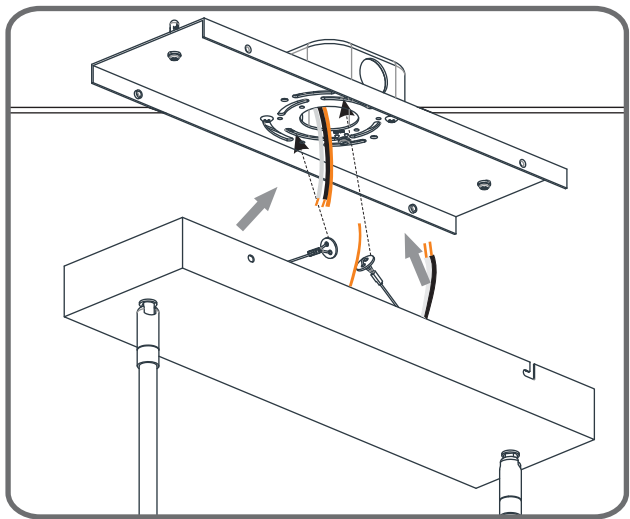
Black wire from fixture

Black wire from driver

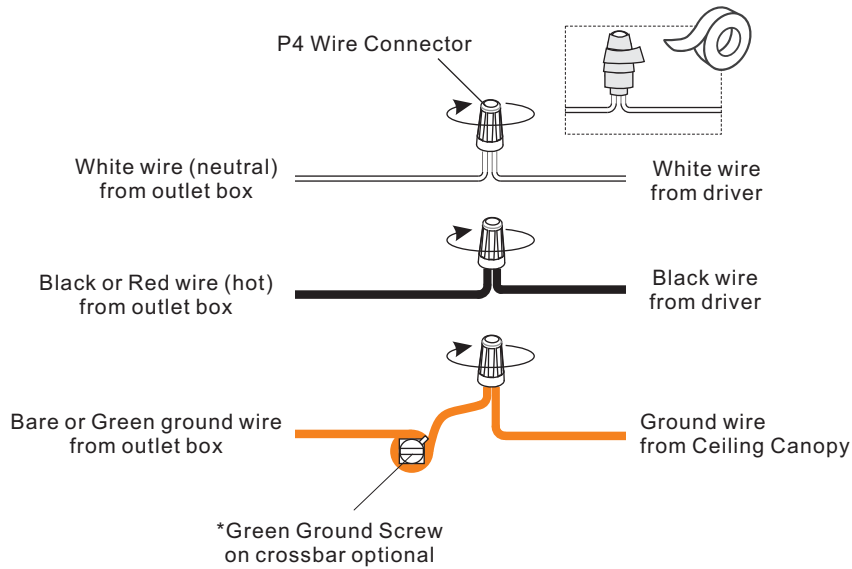


White wire from fixture

STEP 5



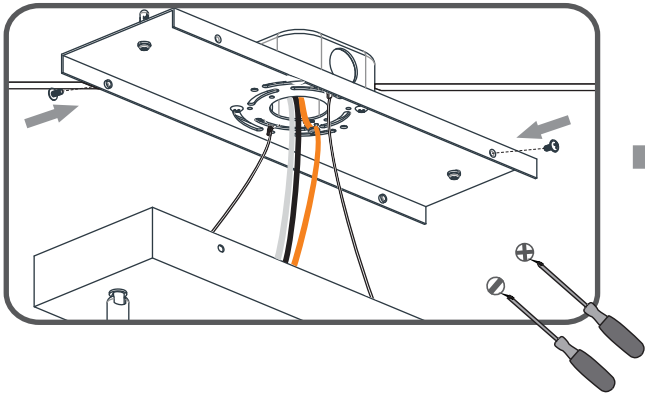
STEP 6



STEP 7

1

Install (2) lock screws to the inner backplate and leave proper length for ceiling canopy installation



2

1. Hang ceiling canopy on (2) lock screws on the inner backplate
2. Install the rest (2) lock screws

