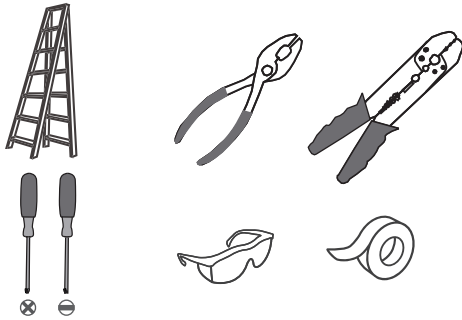


**Tools Required**



**Light Source**

33W  
**LED**

**Fixture Height Adjustable  
10" to 100"**

**⚠ Warnings and Cautions**

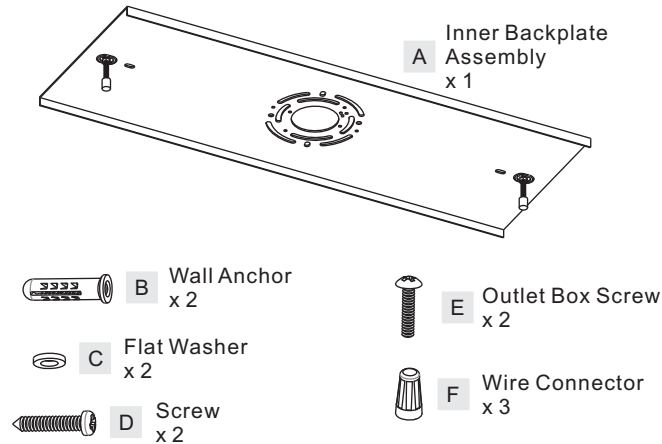
Turn off the electricity at the circuit breaker before installation. Consult a licensed electrician if in doubt about installation.

**Package Contents**

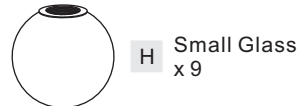
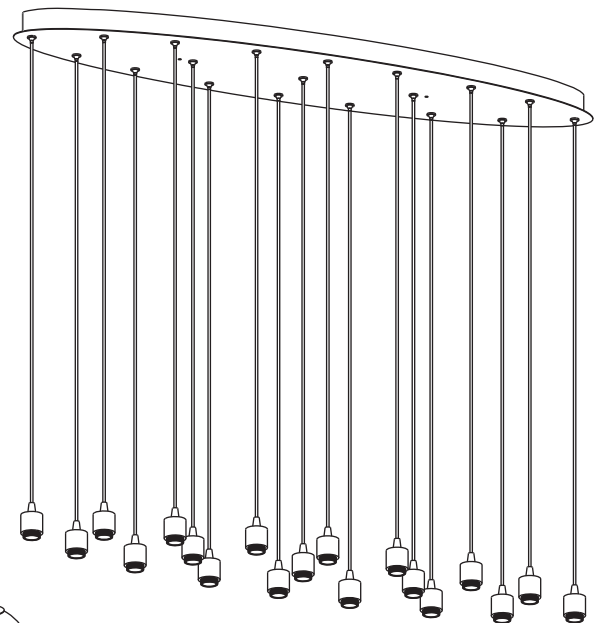
**Preparation:** Identify and inspect all parts before beginning the installation.

Missing or damaged parts? Contact your original place of purchase.

**PARTS BAG**



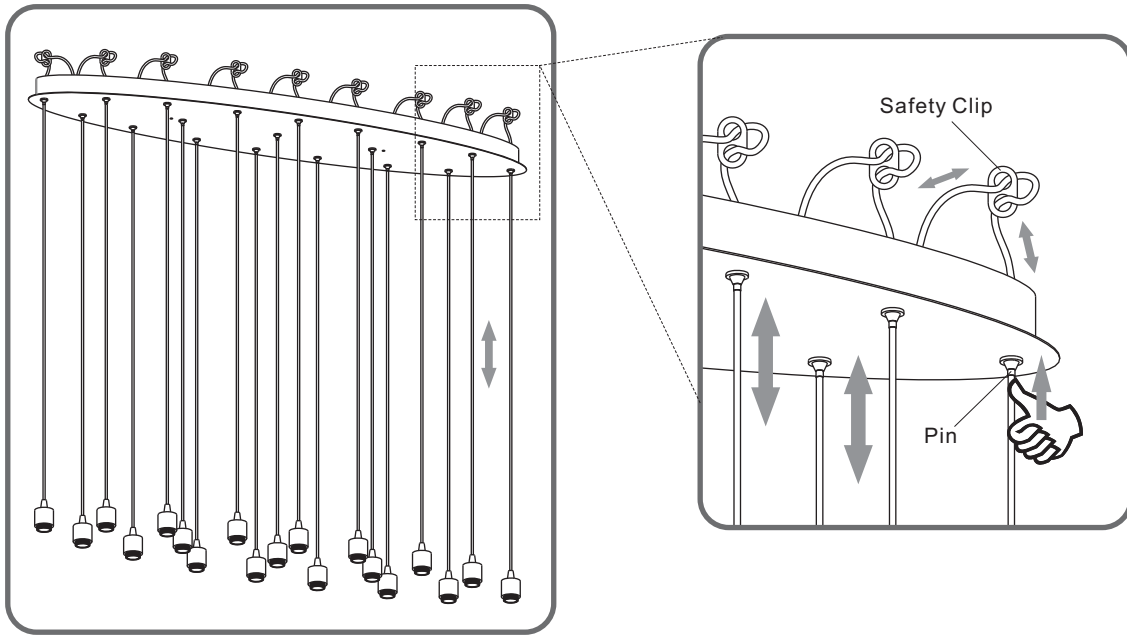
**G** Fixture Body  
x 1



**Table of Contents**

Adjust Cord Length	Inner Backplate Assembly	Lanyard	Wiring	Fixture Body	Glasses
<b>STEP 1</b>	<b>STEP 2</b>	<b>STEP 3</b>	<b>STEP 4</b>	<b>STEP 5</b>	<b>STEP 6</b>

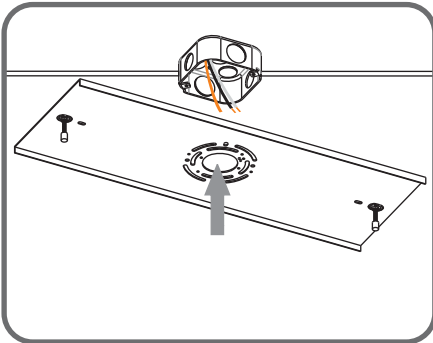
**STEP 1**



**STEP 2**

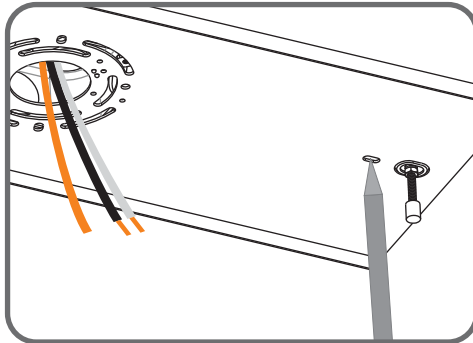
1

**Fit inner backplate assembly to outlet box**



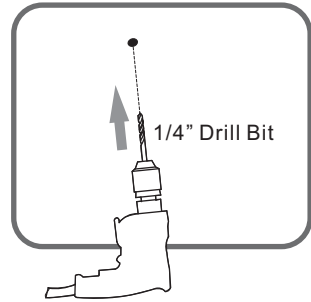
2

**Mark anchor holes location on the ceiling**



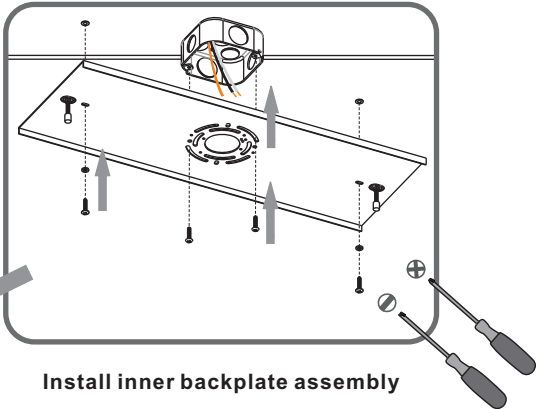
3

**Drill holes for anchors from marks**



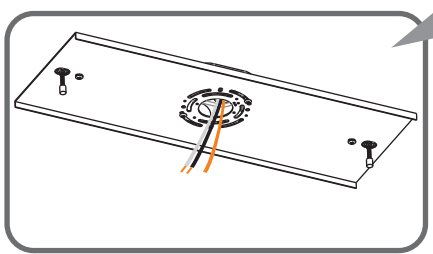
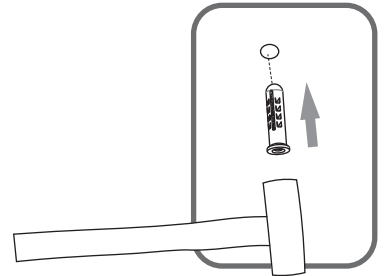
5

**Install inner backplate assembly**



4

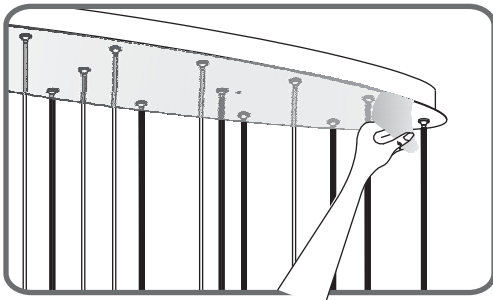
**Install wall anchors**



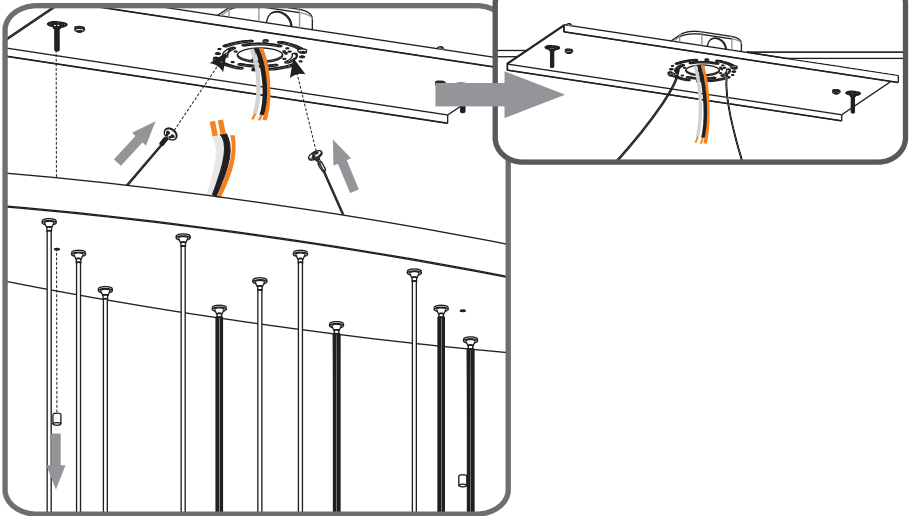
**STEP 3**

1 ----- 2

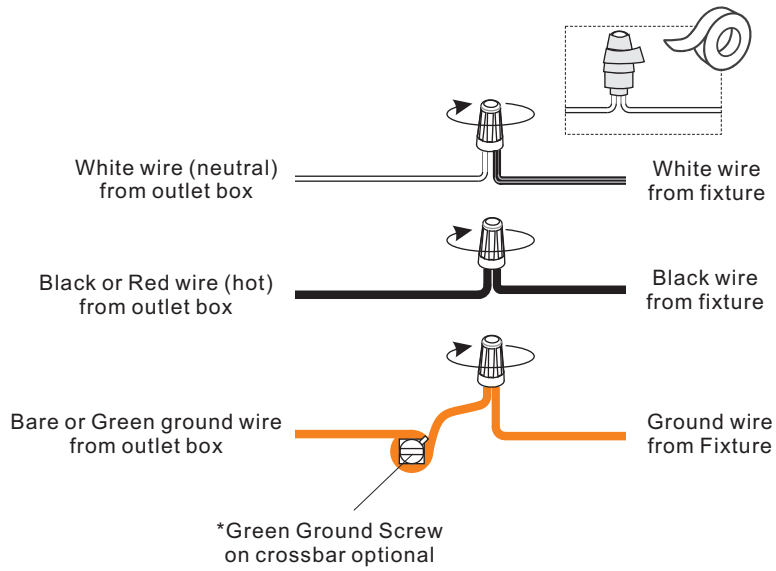
**Remove protective film**



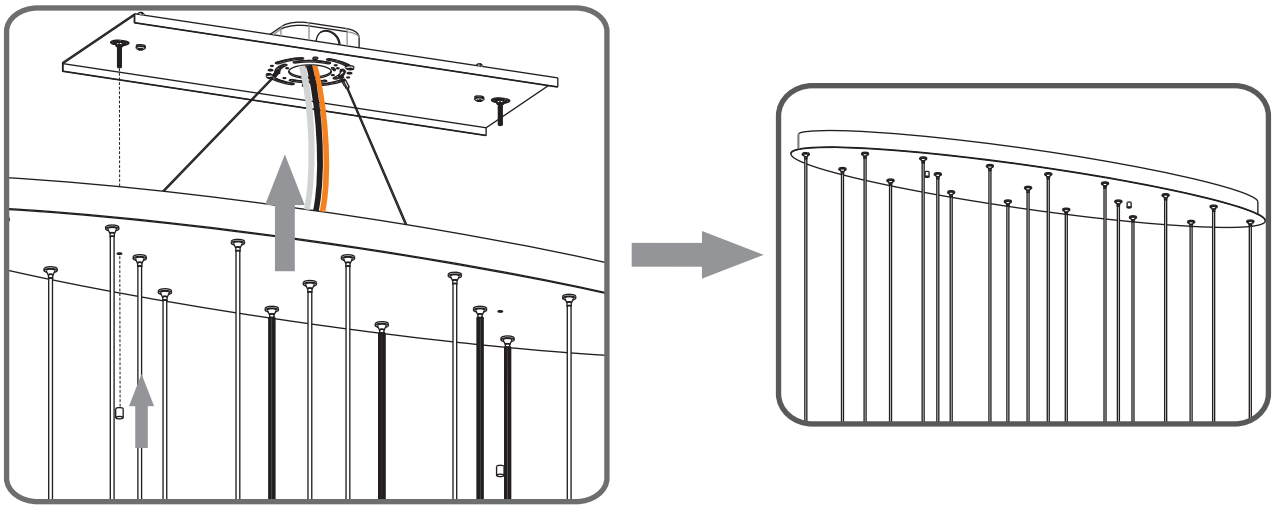
**Install lanyard**



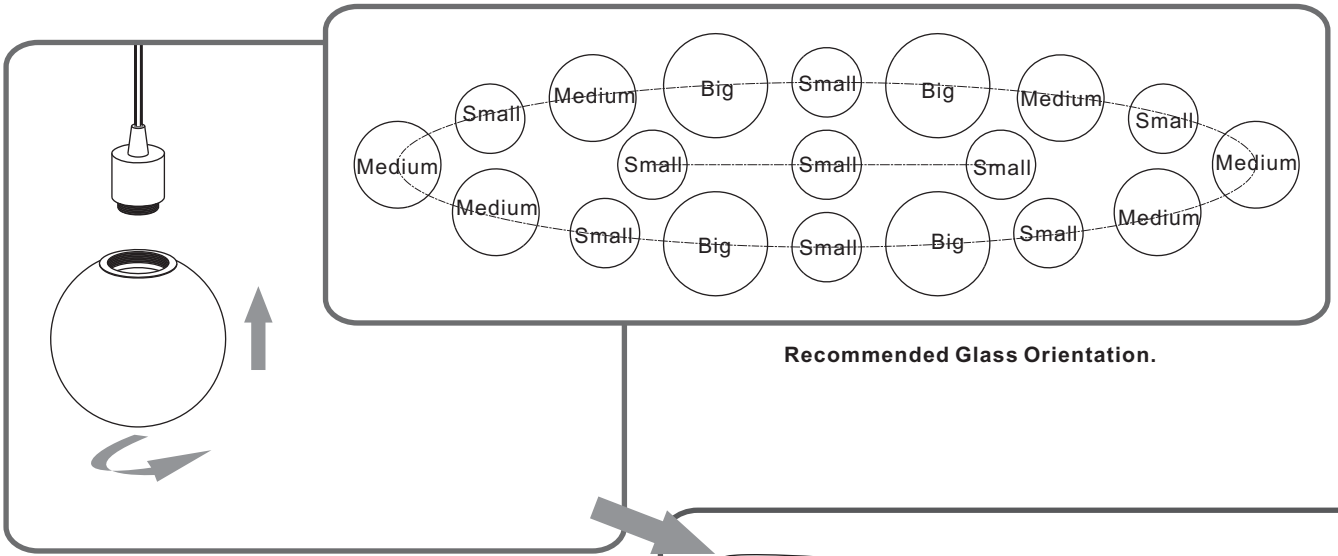
**STEP 4**



**STEP 5**



**STEP 6**



**Recommended Glass Orientation.**

