

Assembly Instruction Sheet #IS-MHE8409_R1 For Styles MHE8409K and MHE8409VN

Please go to www. quozel. com for product cleaning tips. Go to the **Care + Maintenance** selection.

Tools Required: Flathead screwdriver, Phillips screwdriver, pliers, wire cutters, wire strippers, electrical tape, safety glasses.

Light Source: (2) Candelabra Base 60W Maximum

Estimated Assembly Time: 20-30 minutes

Preparation: Identify and inspect all parts before beginning installation. Check package content list and diagrams below to be sure all parts are present. If any parts are missing or damaged, do not attempt to assemble, install, or operate the fixture. Contact customer service for replacement parts.



Warnings and Cautions

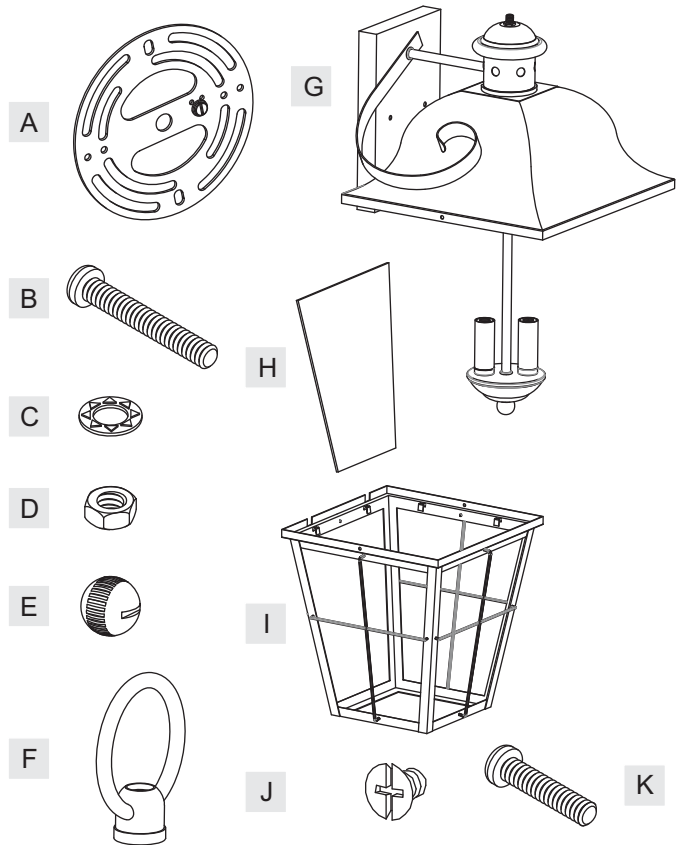
Turn off electricity at circuit breaker or main fuse box before installation. Consult a licensed electrician if in doubt.

These instructions are provided for your safety. It is very important you read them completely before installing the fixture. We strongly recommend that a licensed, professional electrician perform the installation.

Disconnect fixture from power source before replacing bulbs. Make sure bulbs are given sufficient time to cool before removal.

Package Contents

Part	Description	Quantity
A	Crossbar	1 pc.
B	Mounting Screw	2 pcs.
C	Lock Washer	2 pcs.
D	Hex Nut	2 pcs.
E	Lock Ball	2 pcs.
F	Fixture Loop	1 pc.
G	Fixture Body	1 pc.
H	Panel	4 pcs.
I	Cage	1 pc.
J	Lock Screw	2 pcs.
K	Alternate Mounting Screw	2 pcs.



Thank you for purchasing a Quoizel product.

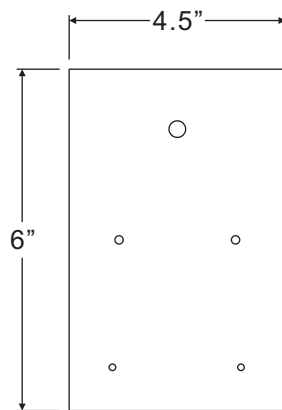
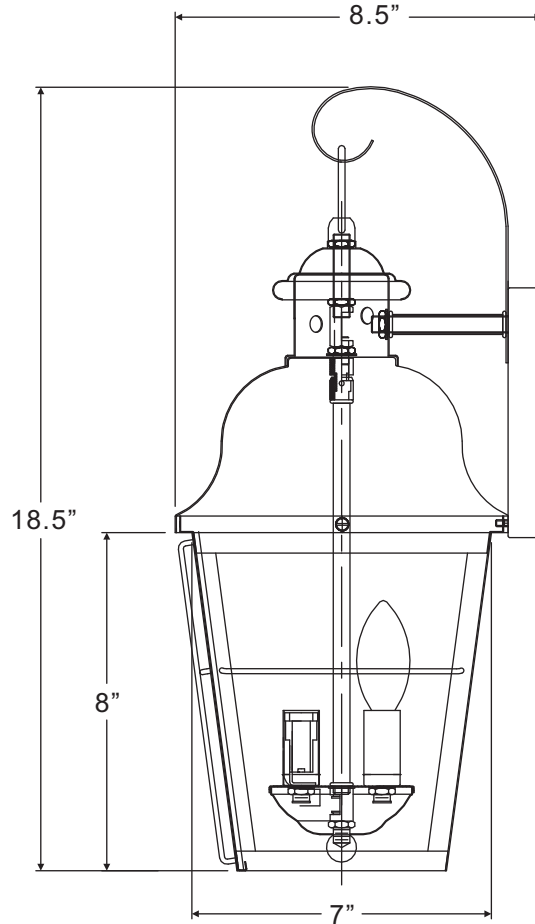
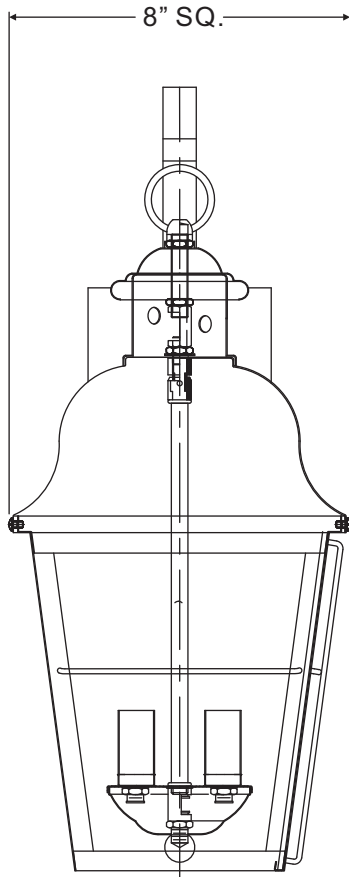
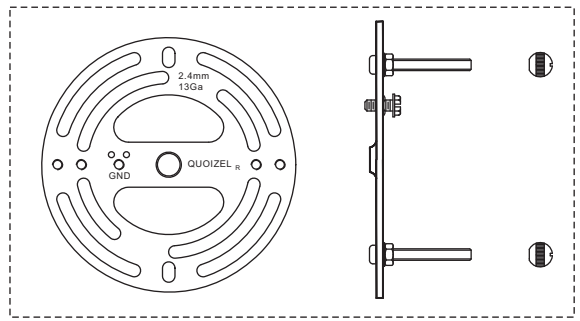
**Need assistance with parts or assembly? Call Quoizel customer service at 1-800-645-3184
 or visit us on-line at www. quozel. com**

MHE8409K

MHE8409VN

FINISH: MYSTIC BLACK

FINISH: VENETO



NOTE: ALL DIMENSIONS ARE ROUNDED UP TO THE NEAREST 1/2"

STEP 1 – Attach Fixture Loop onto Fixture Body

- A. Thread the Fixture Loop (F) onto the Nipple on the top of Fixture Body (G). Hand tighten until snug.

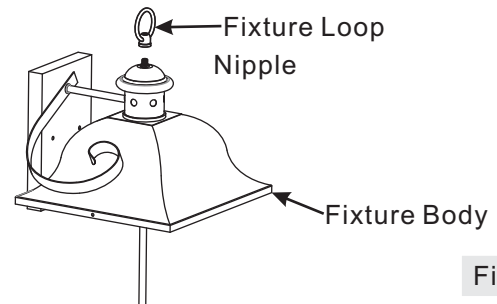


Figure 1

STEP 2 – Fix the Flat Scroll in place

- A. Rotate the Flat Scroll to the top of the fixture. Pull the scroll end into the Fixture Loop (F).

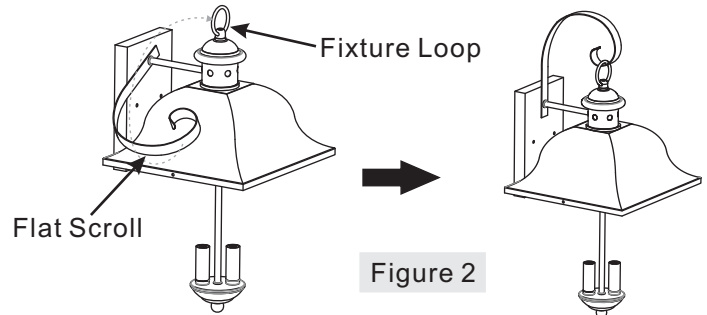


Figure 2

STEP 3 – Attach panel to Cage

- A. Insert Panels (H) into the Slot in the bottom of the Cage (I) then fold the Tabs in the top of the Cage (I) to secure the Panels (H).

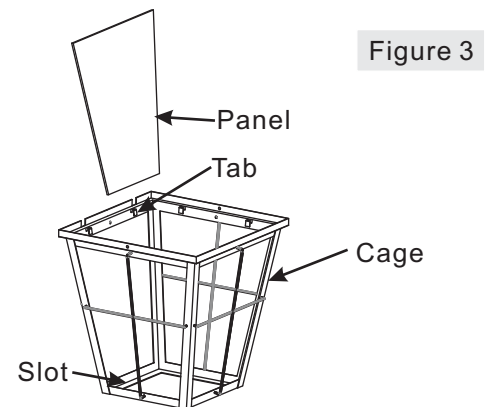


Figure 3

STEP 4 – Attach Cage with Panels to Fixture Body

- A. Align Slots on the top of Cage (I) with the Studs inside of Fixture Hood, the Hole on the Fixture Hood with the Mounting Hole on the Cage, secure by thread Lock Screw (J) into the Mounting Hole. Tighten until snug.

Note: please make sure have Slot side of Cage over against the backplate.

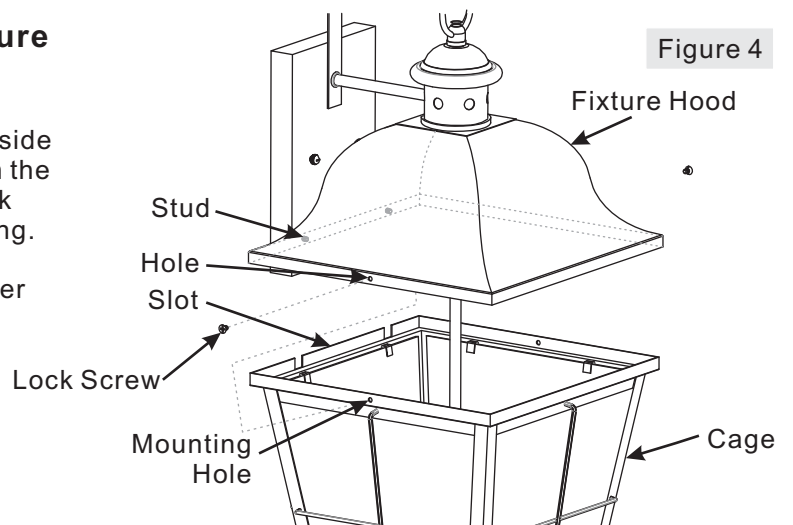


Figure 4

Thank you for purchasing a Quozel product.

Need assistance with parts or assembly? Call Quozel customer service at 1-800-645-3184
or visit us on-line at www. quozel. com

STEP 5 – Attach Mounting Screws, Lock Washers and Hex Nuts to Crossbar

- A. Line up a set of holes on the Crossbar (A) and Holes on the Backplate of the Fixture Body (F).
- B. Thread Mounting Screws (B) or alternate short mounting screws (K) into the holes on the Crossbar (A), pass Lock Washers (C) and thread Hex Nut (D) onto the Mounting Screws (B) or alternate short mounting screws (K) . Hand tighten until snug.

Note: Use the Alternate Shorter Mounting Screw (K) if your installation requires a shorter mounting screw.

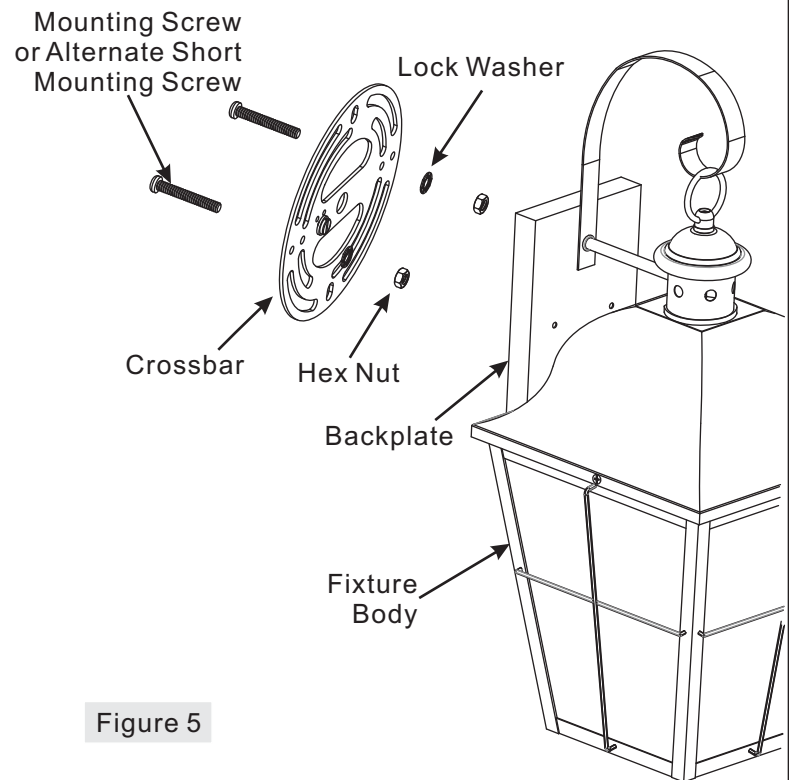


Figure 5

STEP 6 – Attach Crossbar to Outlet Box

- A. Attach the Crossbar (A) to Outlet Box and secure by threading Outlet Box Screws (not supplied) into the Mounting Holes on the Outlet Box. Tighten until snug.

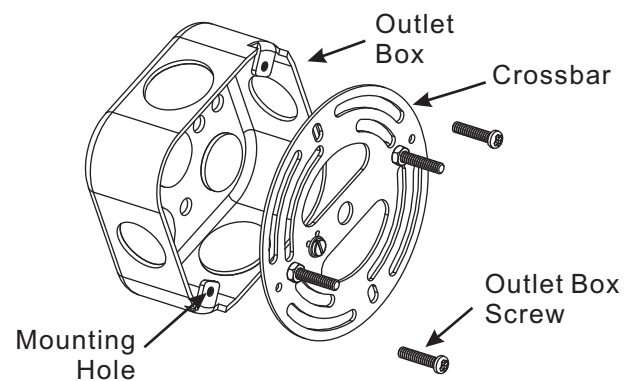


Figure 6

Thank you for purchasing a Quozel product.

Need assistance with parts or assembly? Call Quozel customer service at 1-800-645-3184
or visit us on-line at www. quozel. com

STEP 7 – Wire Connections

A. Use standard wire connectors (not included) to make all the wire connections. Twist the connectors until the wires are tightly joined together. Wrap each connection with approved electrical tape and carefully stuff all the connected wires into the Outlet Box.

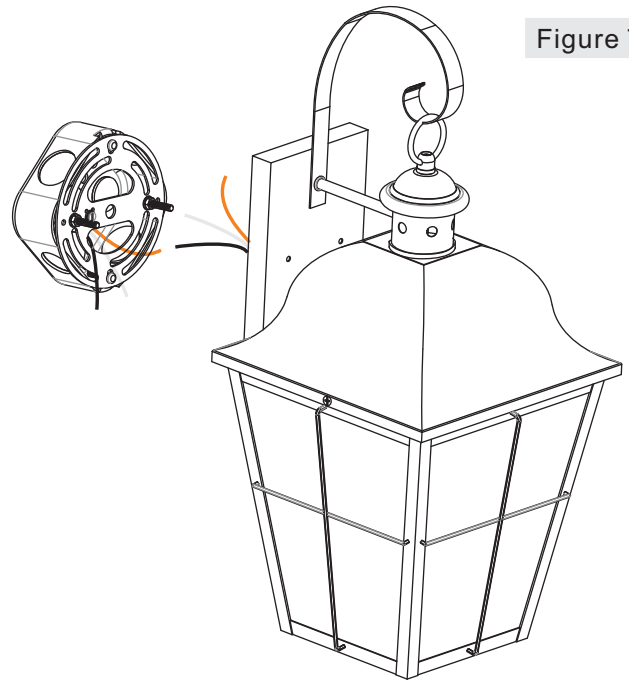


Figure 7

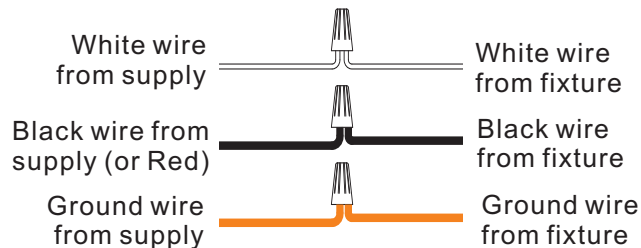


Figure 8

STEP 8 – Attach Fixture Body to Mounting Screw

A. Place the Backplate of the Fixture Body (F) over the Mounting Screws (B) or Alternate Short Mounting Screw (K). Place caulk (not supplied) into threads of Mounting Balls (E) and thread them onto the Mounting Screws (B) or Alternate Short Mounting Screw (K). Hand tighten until snug.

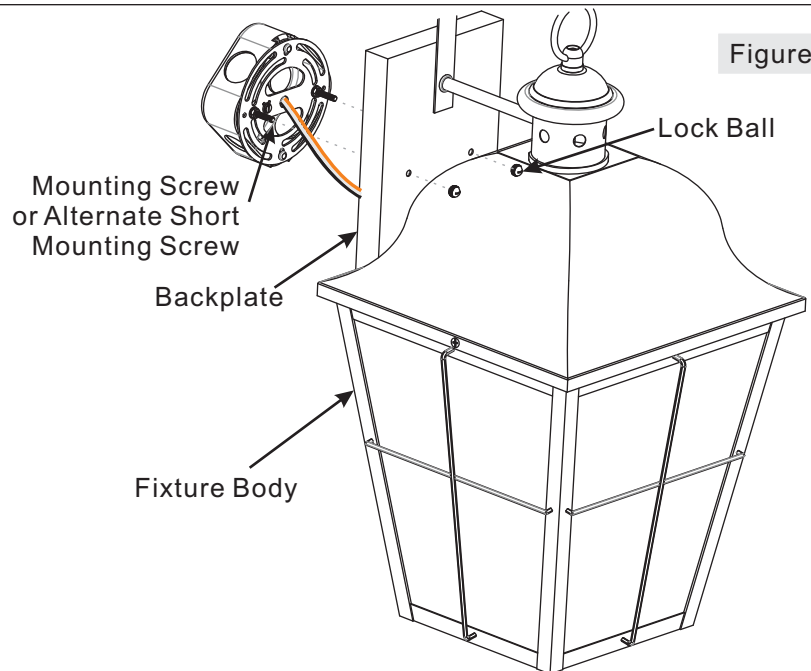


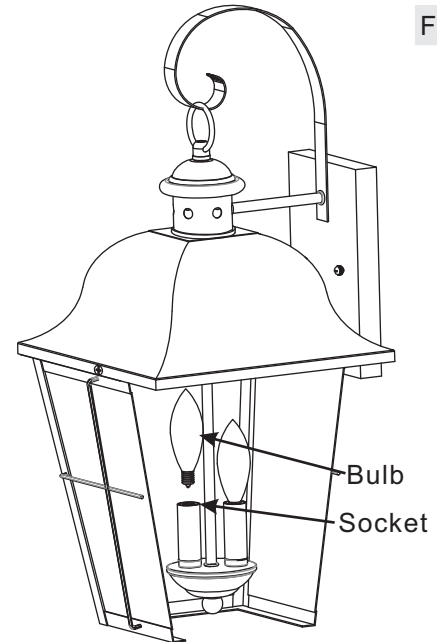
Figure 9

Thank you for purchasing a Quozel product.

Need assistance with parts or assembly? Call Quozel customer service at 1-800-645-3184 or visit us on-line at www. quozel. com

STEP 9 – Install Bulbs

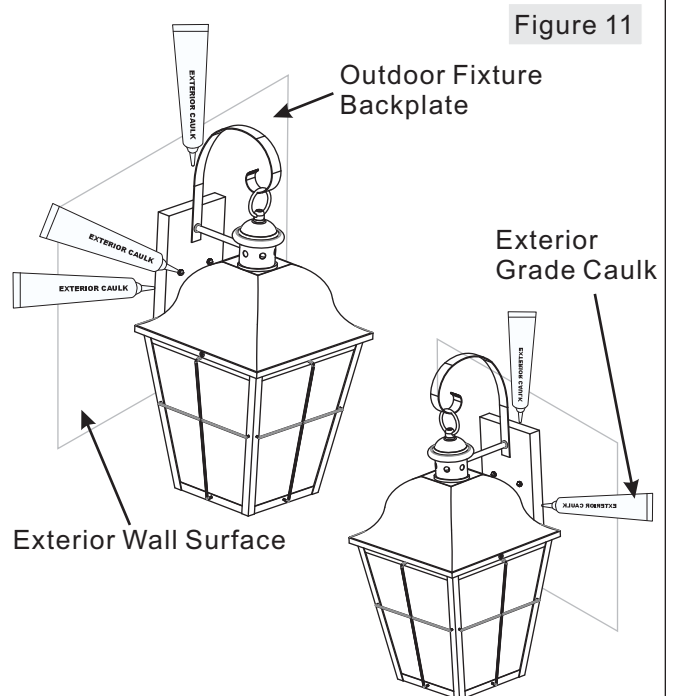
- A. Insert bulbs onto sockets and screw properly into place.



STEP 10 – Apply Silicone Sealer

- A. Make sure the exterior wall surface and fixture backplate are free of dirt before applying caulk. Using exterior grade caulk, caulk over top of backplate and down both sides. Do not caulk the bottom of the fixture backplate to ensure proper moisture drainage.

Your fixture is now assembled and ready to use.
Enjoy!



Thank you for purchasing a Quoizel product.

Need assistance with parts or assembly? Call Quoizel customer service at 1-800-645-3184
or visit us on-line at www. quozel. com