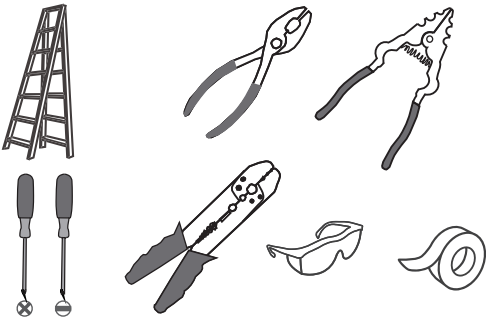
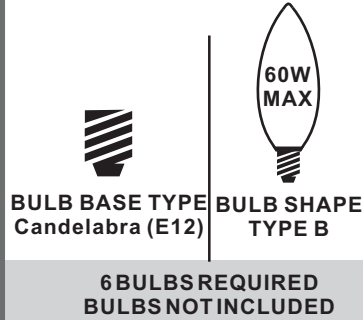


Tools Required



Light Source



**Fixture Height Adjustable
36" to 132"**

⚠ Warnings and Cautions

Turn off the electricity at the circuit breaker before installation. Consult a licensed electrician if in doubt about installation.

Turn off power to the fixture and allow the bulbs to cool before replacing.

Package Contents

Preparation: Identify and inspect all parts before beginning the installation.

Missing or damaged parts? Contact your original place of purchase.

PARTS BAG

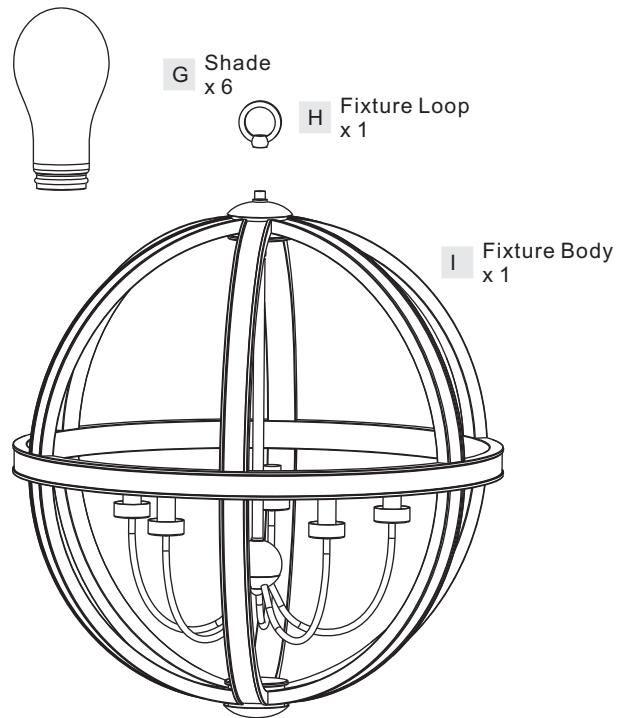
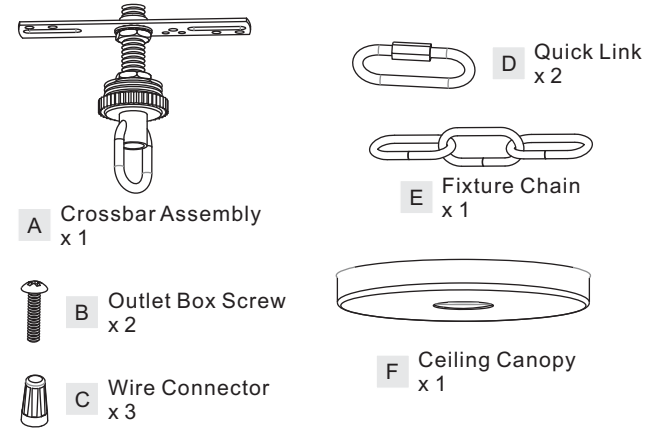
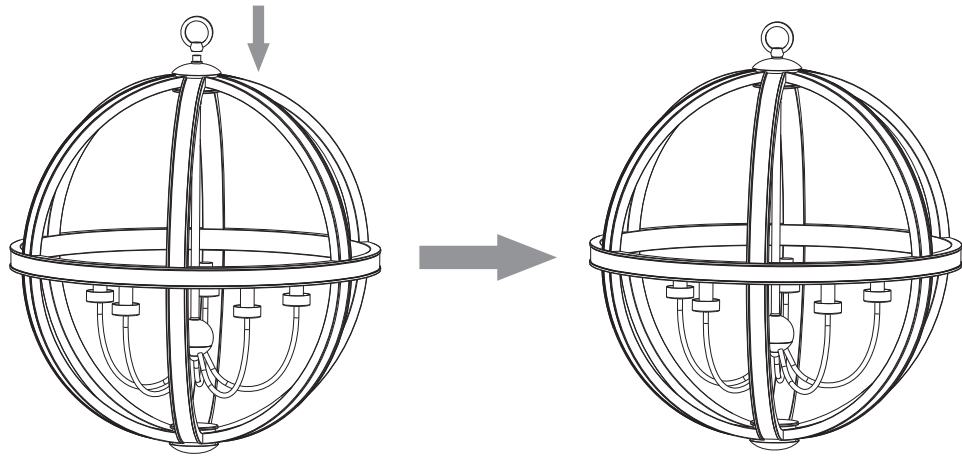


Table of Contents

Fixture Loop	Crossbar Assembly	Fixture Chain	Wiring	Ceiling Canopy	Shade and Bulb
STEP 1	STEP 2	STEP 3	STEP 4	STEP 5	STEP 6

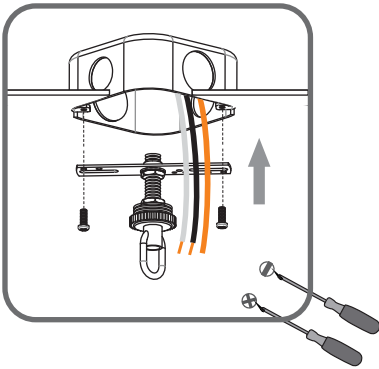
STEP 1



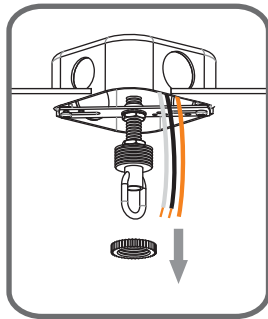
STEP 2

1

Step 1
Install crossbar assembly

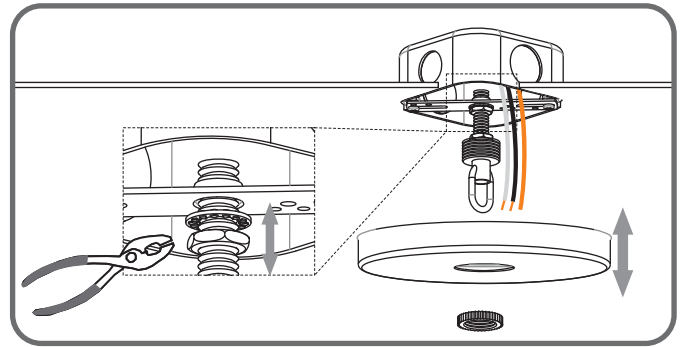


2



3

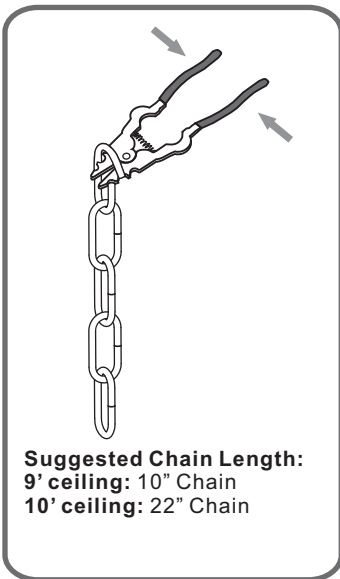
Step 2 - 3
Test fitting ceiling canopy to nipple



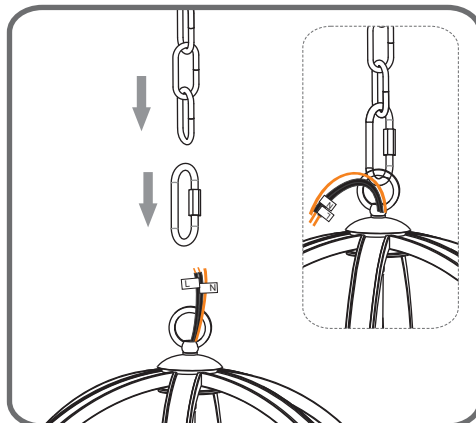
STEP 3

1

Step 1
Adjust fixture chain length

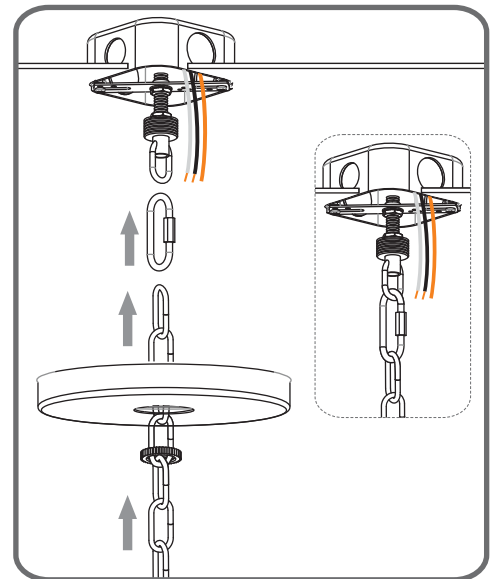


2



3

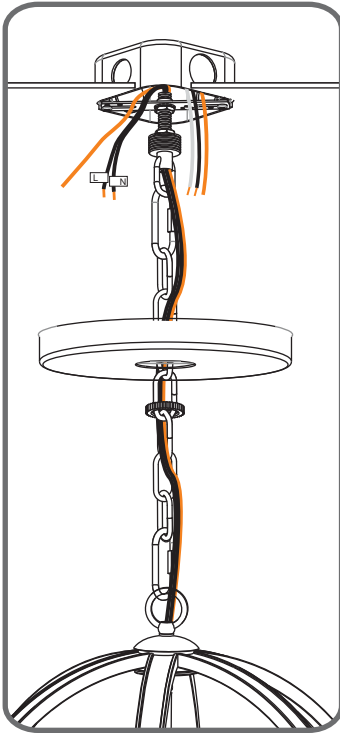
Step 2 - 3
Install Fixture Chain



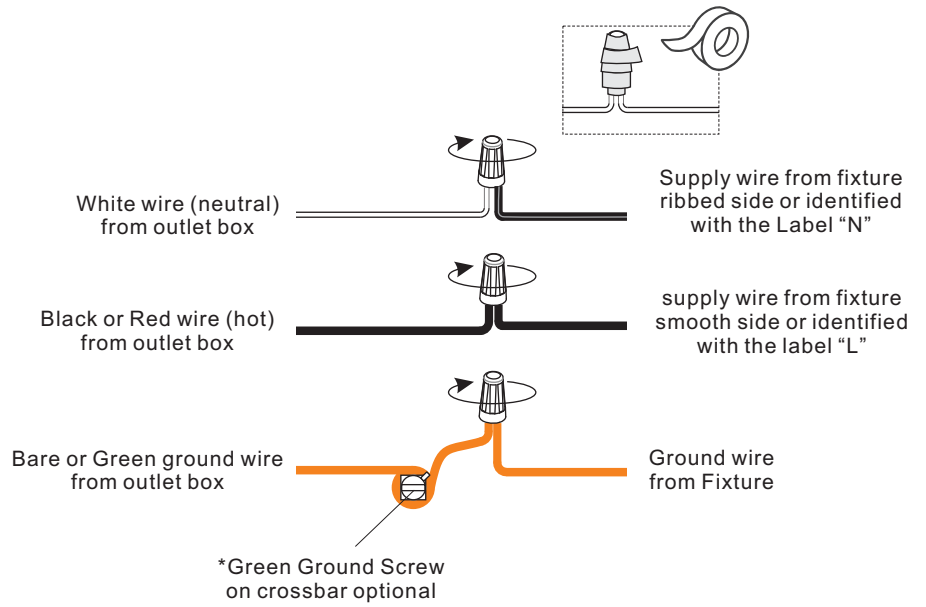
STEP 4

1

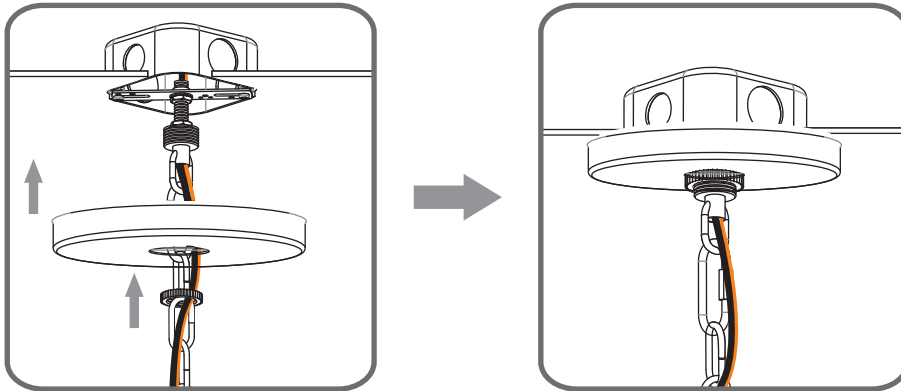
Step 1
Feed the fixture wires
through the loop



2



STEP 5



STEP 6

