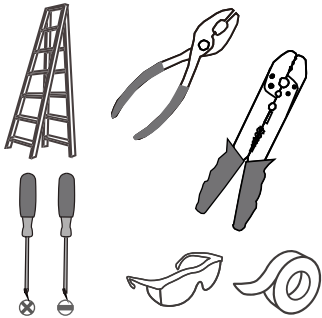
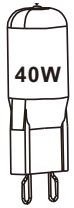


**Tools Required**



**Light Source**



**G9 Forsted Xenon Bulb**

**3 BULBS REQUIRED  
BULBS NOT INCLUDED**

**⚠ Warnings and Cautions**

Turn off the electricity at the circuit breaker before installation. Consult a licensed electrician if in doubt about installation.

Turn off power to the fixture and allow the bulbs to cool before replacing.

**Package Contents**

**Preparation:** Identify and inspect all parts before beginning the installation.

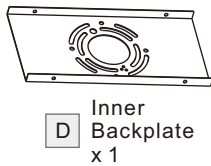
Missing or damaged parts? Contact your original place of purchase.

**PARTS BAG**

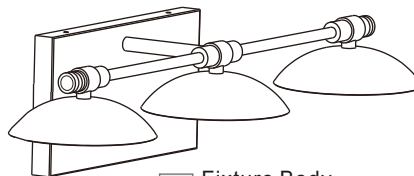
**A** Mounting Screw x 4

**B** Outlet Box Screw x 2

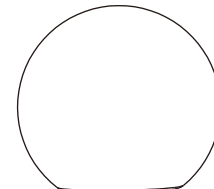
**C** Wire Connector x 3



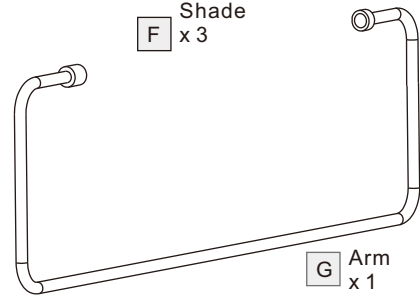
**D** Inner Backplate x 1



**E** Fixture Body x 1



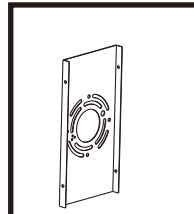
**F** Shade x 3



**G** Arm x 1

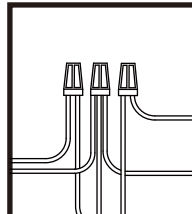
**Table of Contents**

**Inner Backplate**



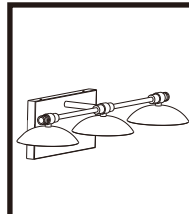
**STEP 1**

**Wiring**



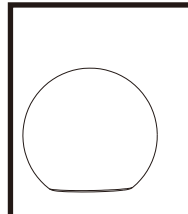
**STEP 2**

**Fixture Body**



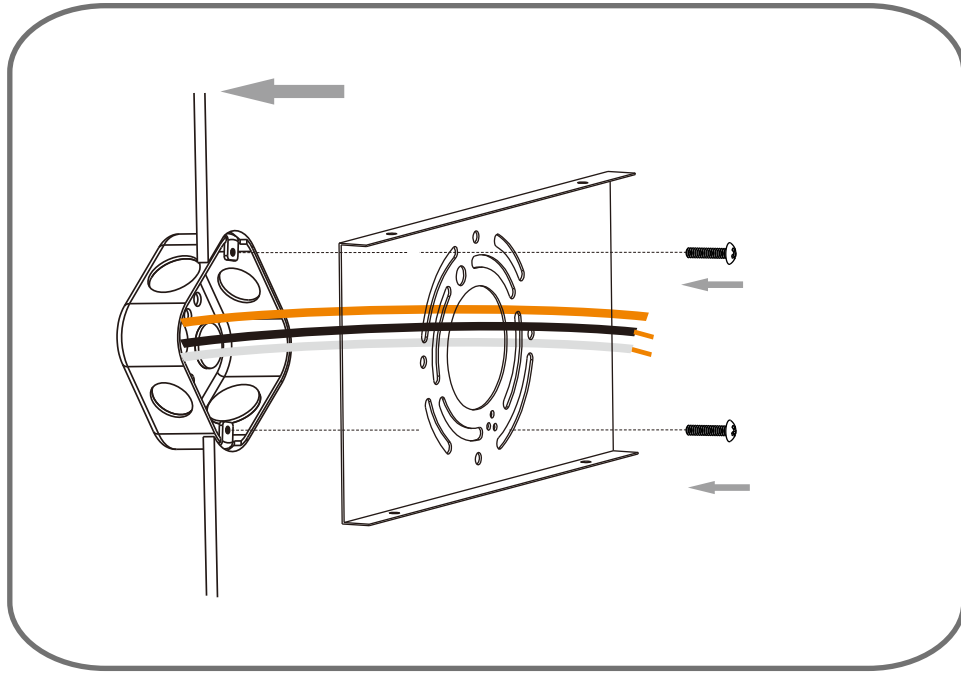
**STEP 3**

**Shade & Bulb**

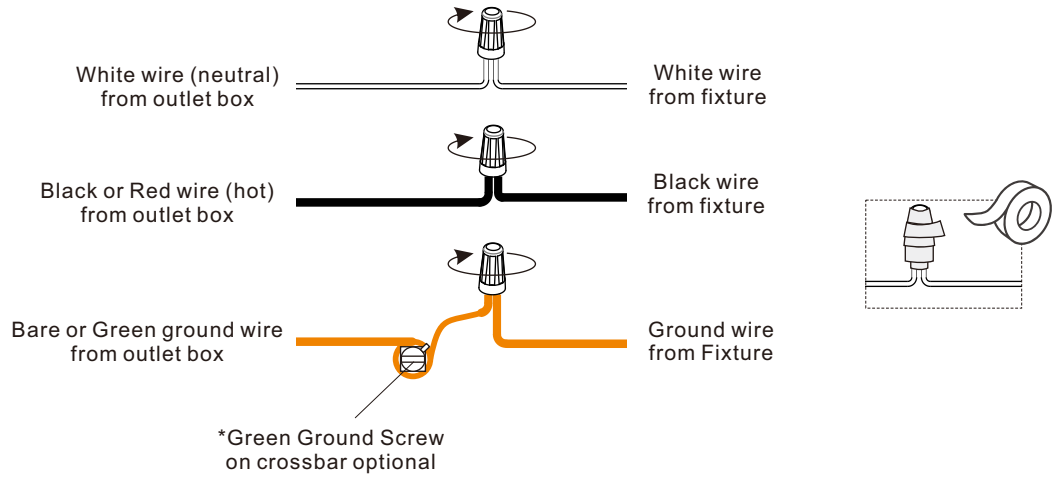


**STEP 4**

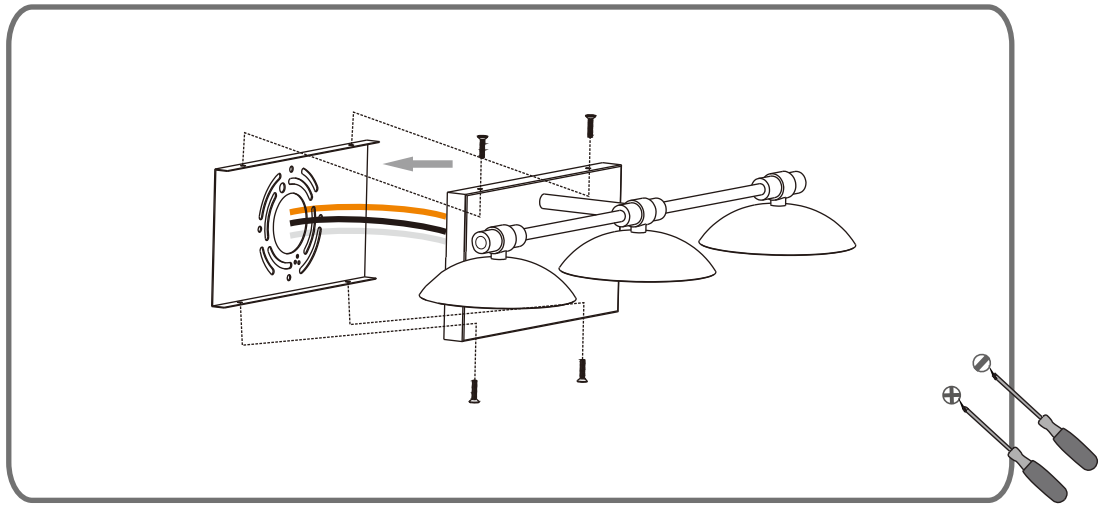
# STEP 1



# STEP 2



# STEP 3



**STEP 4**

