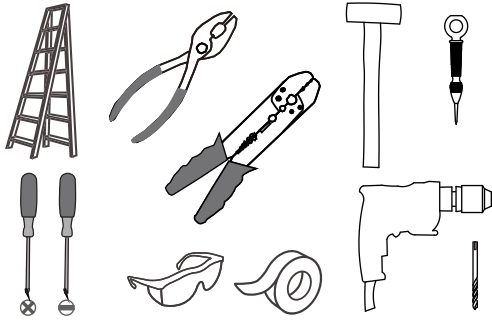
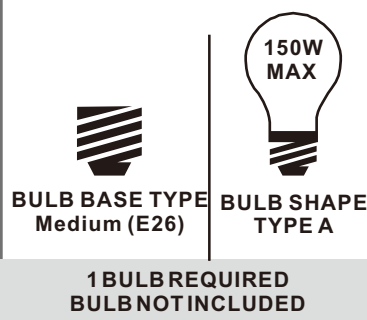


Tools Required



Light Source



Warnings and Cautions

Turn off the electricity at the circuit breaker before installation. Consult a licensed electrician if in doubt about installation.

Turn off power to the fixture and allow the bulbs to cool before replacing.

Package Contents

Preparation: Identify and inspect all parts before beginning the installation.
Missing or damaged parts? Contact your original place of purchase.

PARTS BAG

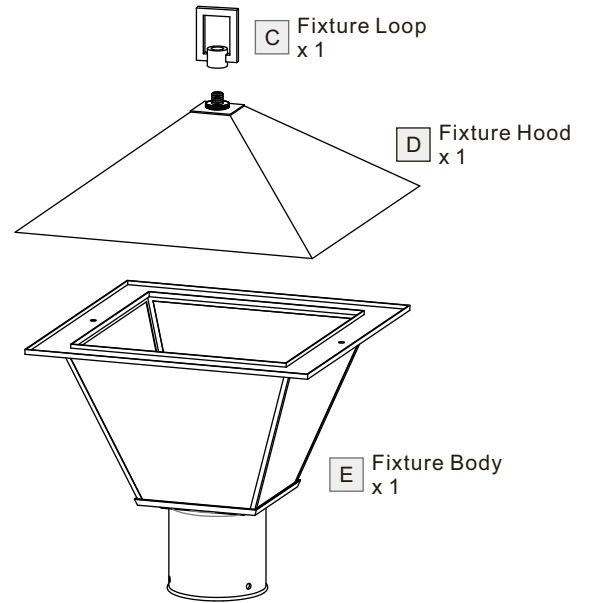
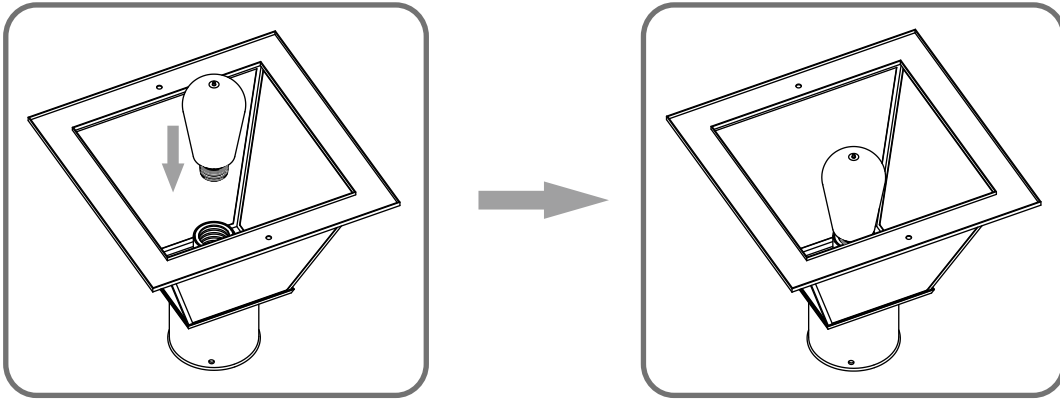


Table of Contents

Bulb	Fixture hood & Fixture loop	Drill Holes	Wiring	Fixture Body
STEP 1	STEP 2	STEP 3	STEP 4	STEP 5

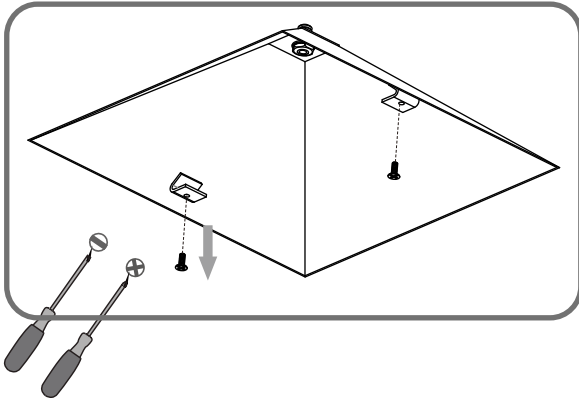
STEP 1



STEP 2

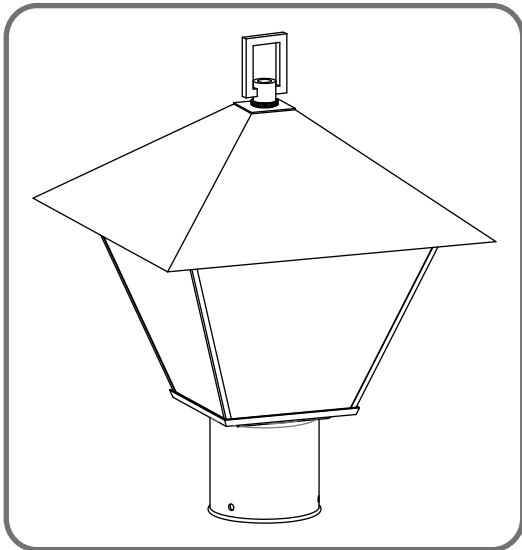
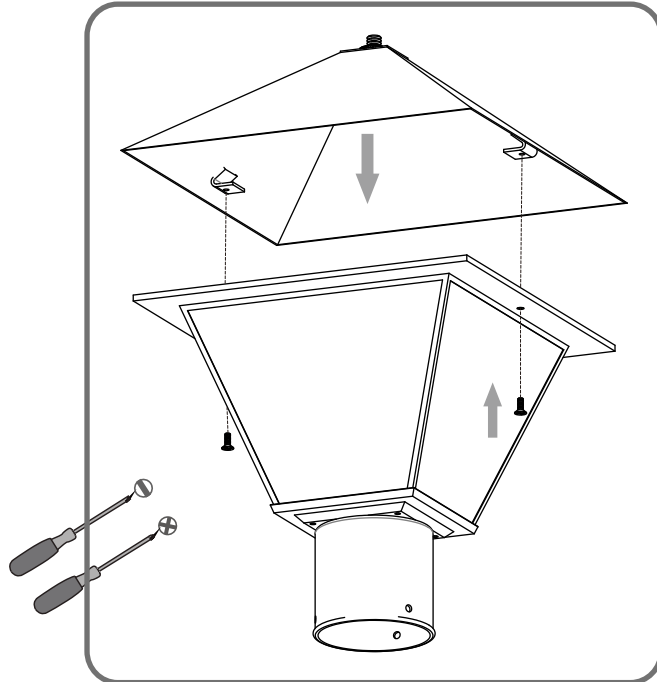
1

Remove lock screws



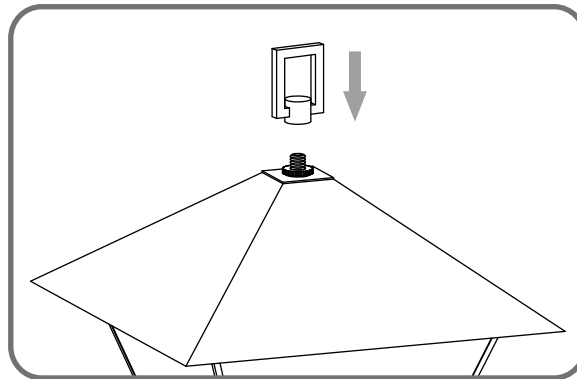
2

Install fixture hood



3

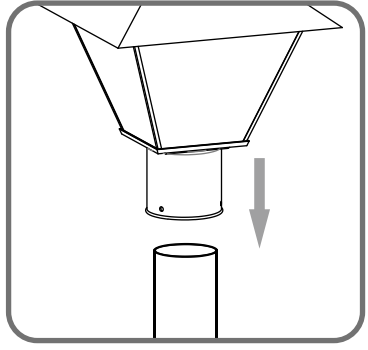
Install fixture loop



STEP 3

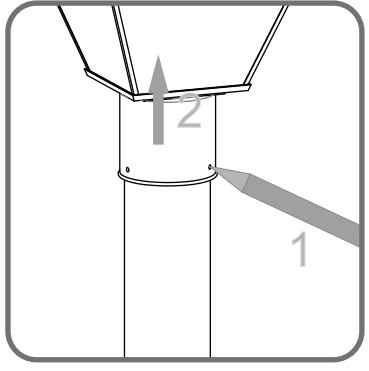
1

Step 1
Place Post Fitter to Post

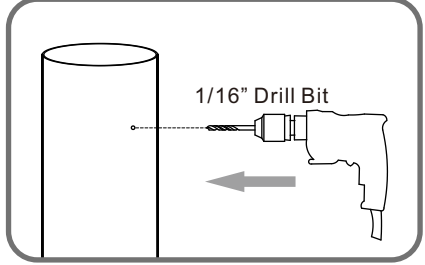
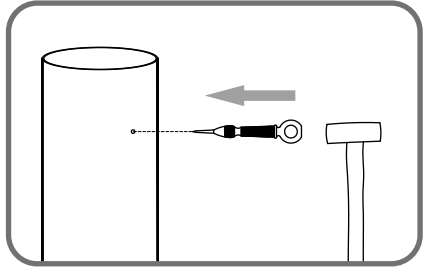


2

Step 2-3
Mark Mounting Holes Location on Post



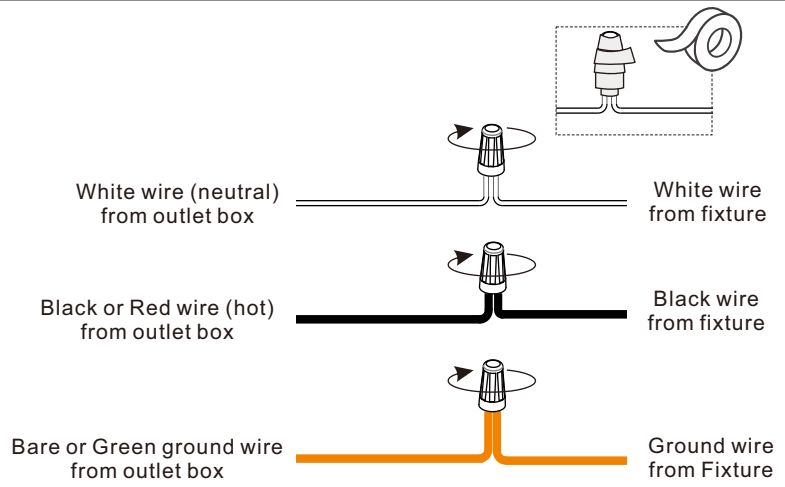
3



Step 4
Drill Holes

4

STEP 4



STEP 5

