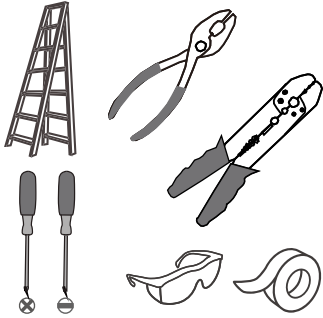


**Tools Required**



**Light Source**

40W  
**LED**

**⚠ Warnings and Cautions**

Turn off the electricity at the circuit breaker before installation. Consult a licensed electrician if in doubt about installation.

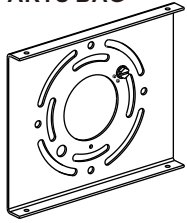
Turn off power to the fixture and allow the bulbs to cool before replacing.

**Package Contents**

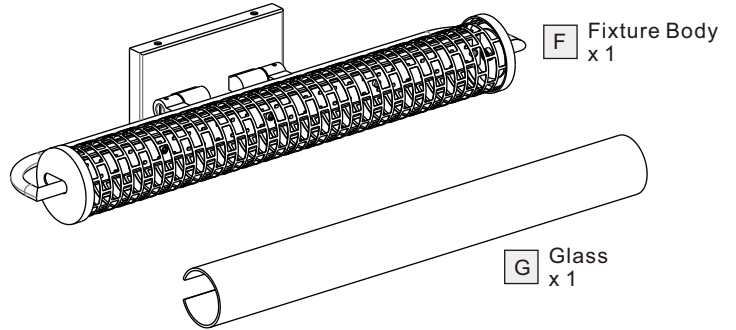
**Preparation:** Identify and inspect all parts before beginning the installation.

Missing or damaged parts? Contact your original place of purchase.

**PARTS BAG**



- A** Inner Backplate x 1
- B** Mounting Screw x 4
- C** Outlet Box Screw x 2
- D** Wire Connector x 3
- E** Allen Wrench x 1



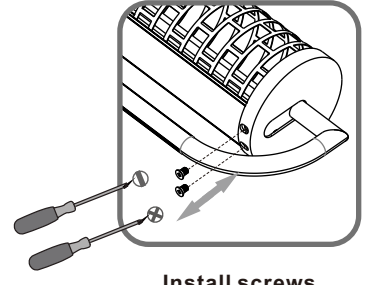
**Table of Contents**

Glass	Crossbar	Wiring	Fixture Body	Optional Adjust Shade
STEP 1	STEP 2	STEP 3	STEP 4	STEP 5

**STEP 1**

1

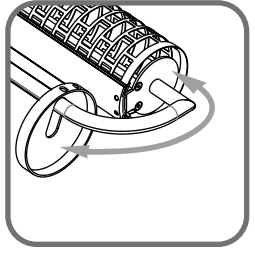
Remove screws



Install screws

2

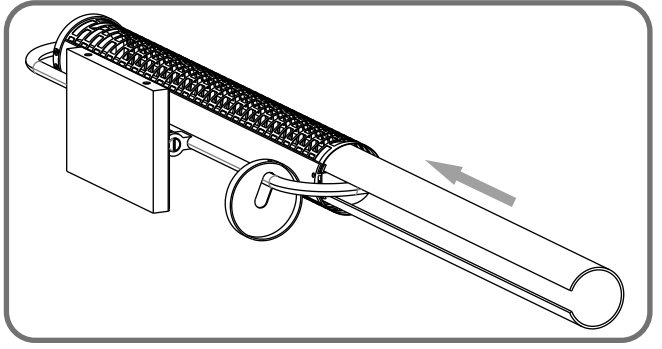
Remove end cap



Install end cap

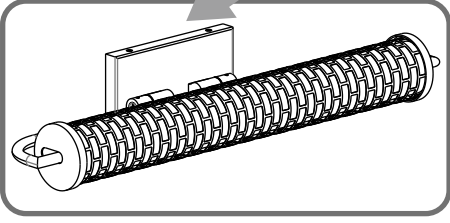
3

Install Glass

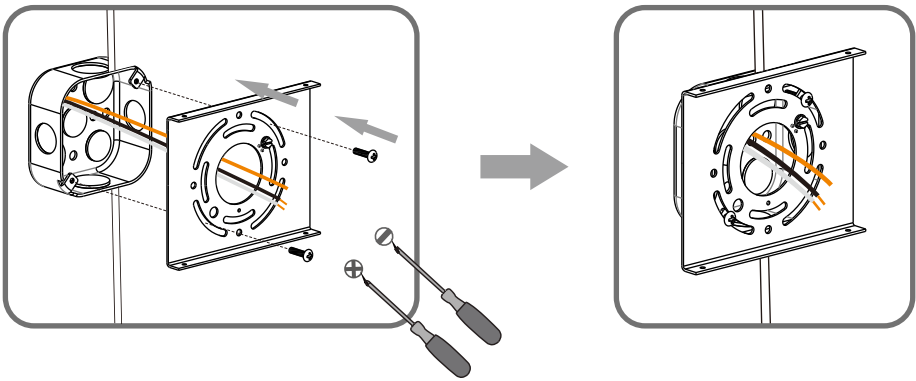


5

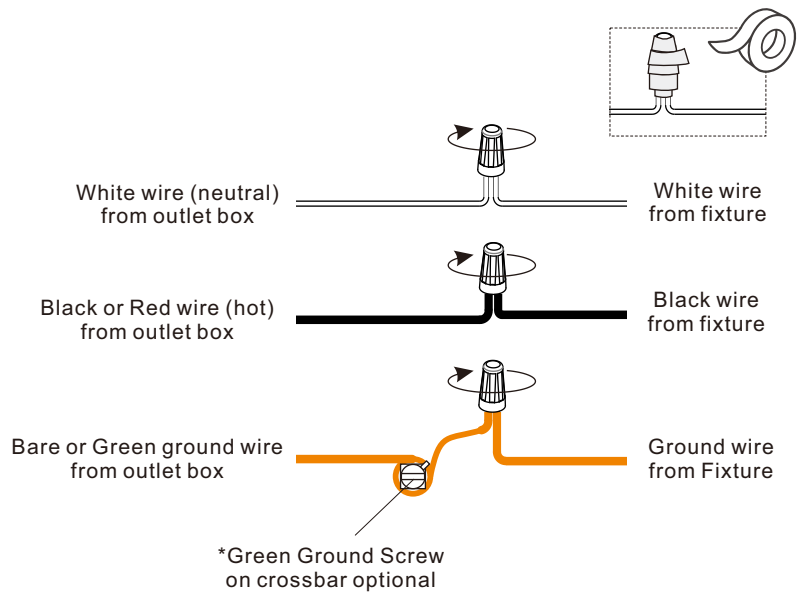
4



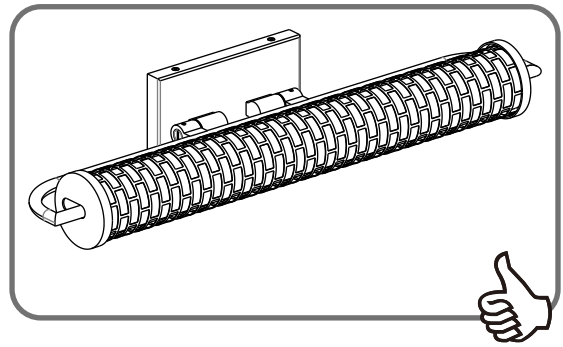
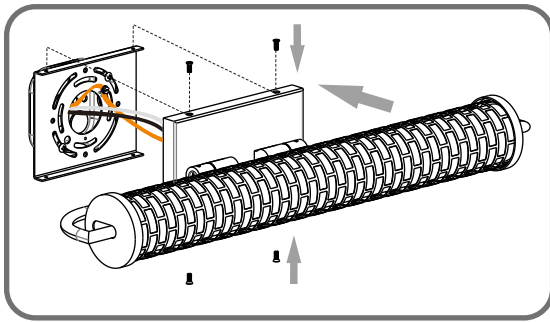
**STEP 2**



**STEP 3**



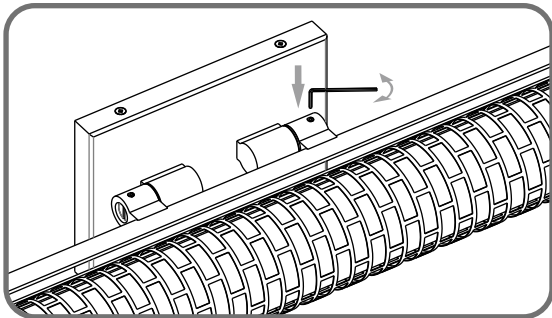
## STEP 4



## STEP 5 - Optional

1

Loosen set screws



Tighten set screws

3

2

Rotate shade

