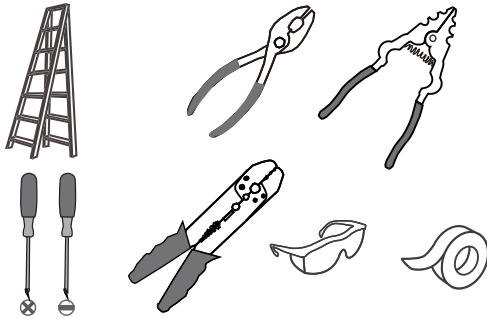
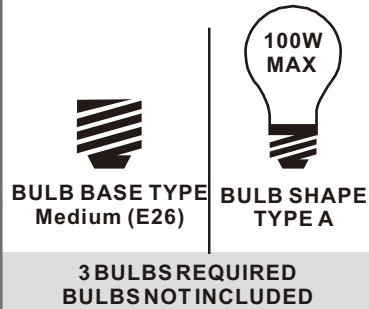


**Tools Required**



**Light Source**



**Fixture Height Adjustable  
27.5" to 75.5"**

**⚠ Warnings and Cautions**

Turn off the electricity at the circuit breaker before installation. Consult a licensed electrician if in doubt about installation.

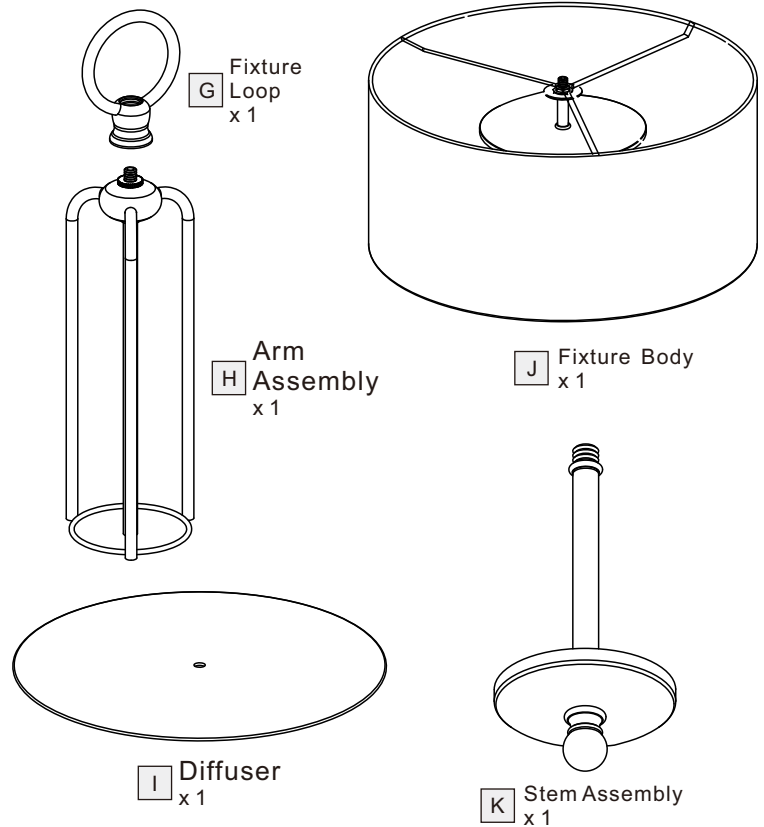
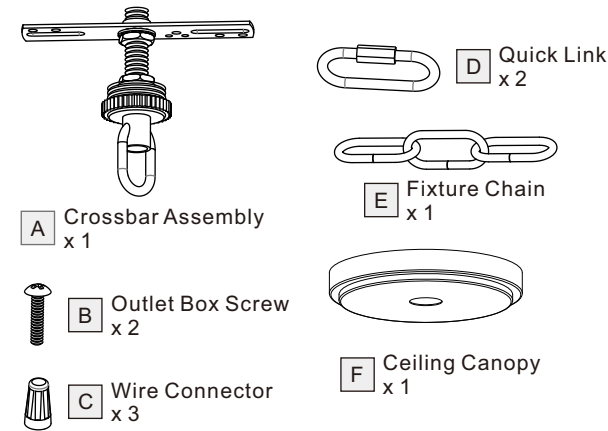
Turn off power to the fixture and allow the bulbs to cool before replacing.

**Package Contents**

**Preparation:** Identify and inspect all parts before beginning the installation.

Missing or damaged parts? Contact your original place of purchase.

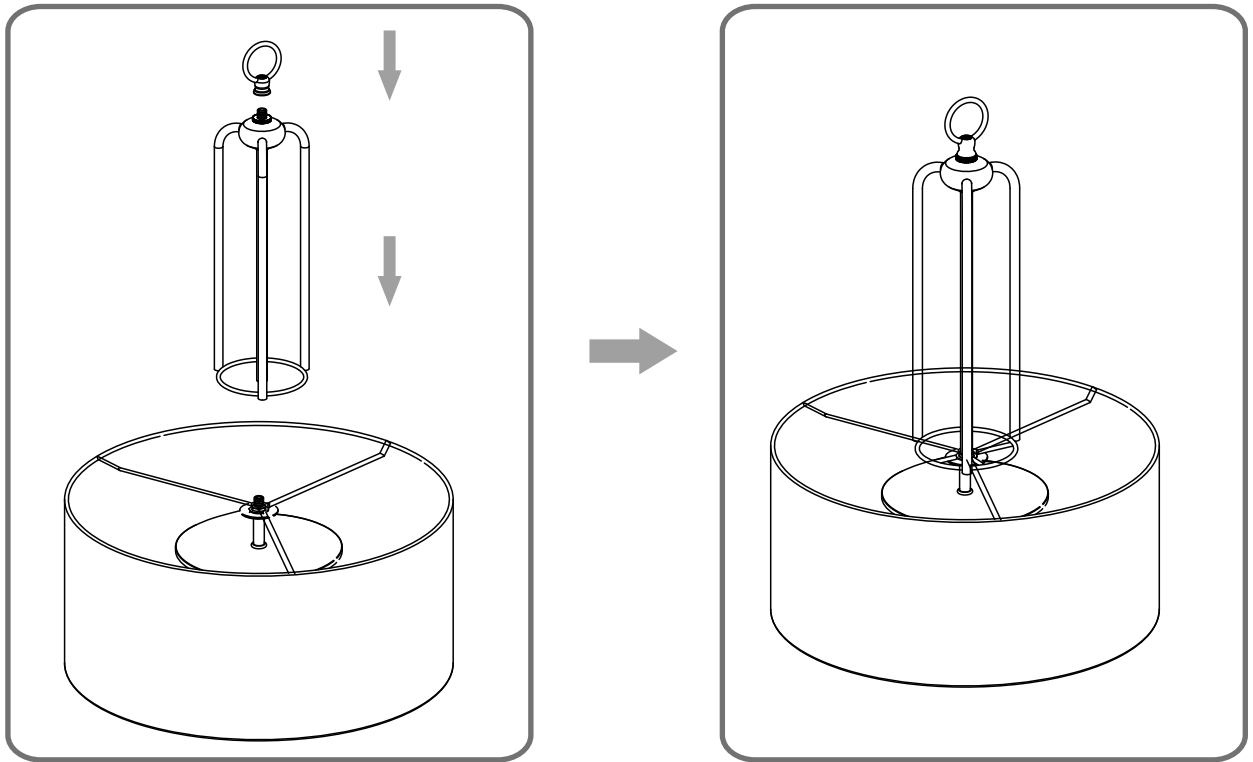
**PARTS BAG**



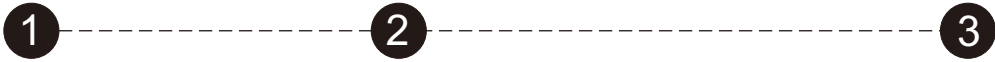
**Table of Contents**

| Fixture Body | Crossbar Assembly | Fixture Chain | Wiring | Ceiling Canopy | Diffuser | Bulb   |
|--------------|-------------------|---------------|--------|----------------|----------|--------|
|              |                   |               |        |                |          |        |
| STEP 1       | STEP 2            | STEP 3        | STEP 4 | STEP 5         | STEP 6   | STEP 7 |

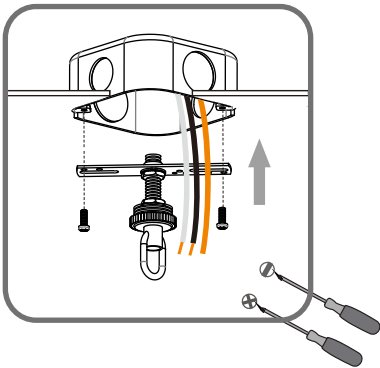
**STEP 1**



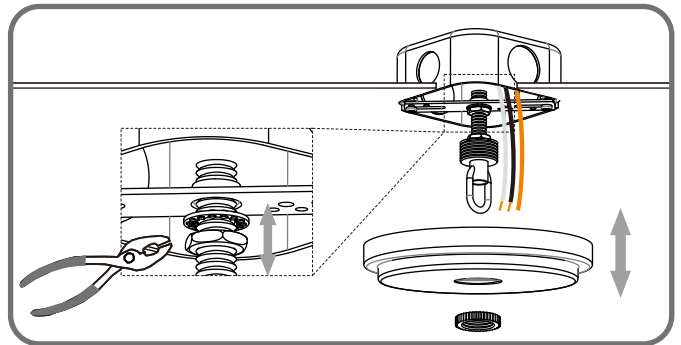
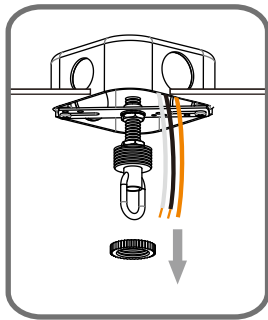
**STEP 2**



**Step 1**  
Install crossbar assembly



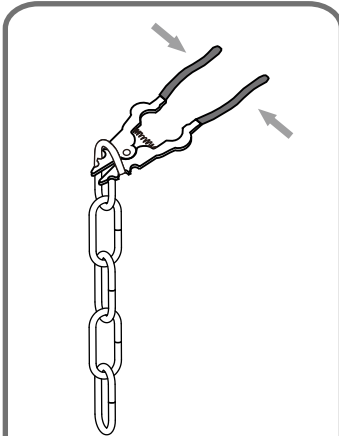
**Step 2 - 3**  
Test fitting ceiling canopy to nipple



### STEP 3

1

Step 1  
Adjust fixture chain length

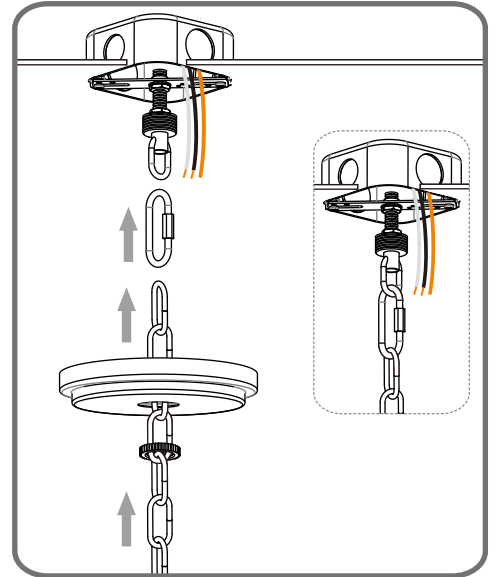
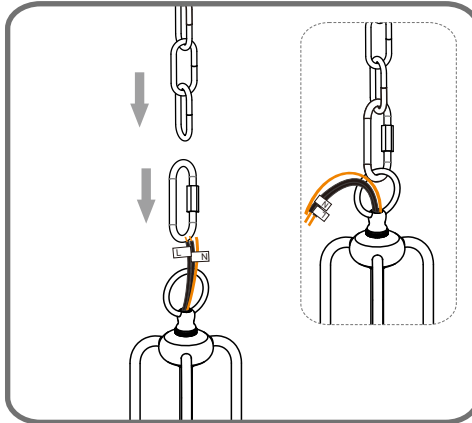


Suggested Chain Length:

- 8' ceiling: 6" Chain
- 9' ceiling: 18" Chain
- 10' ceiling: 30" Chain

2

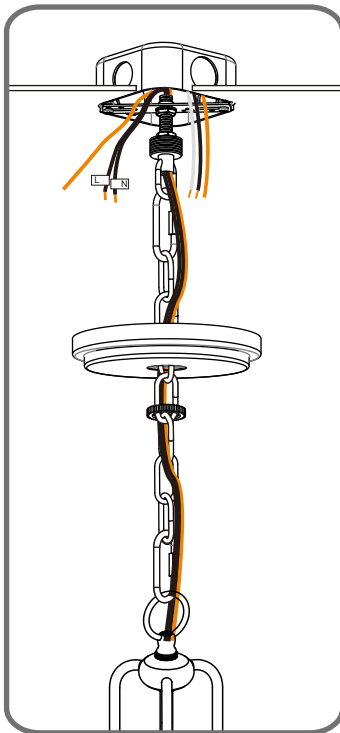
Step 2 - 3  
Install Fixture Chain



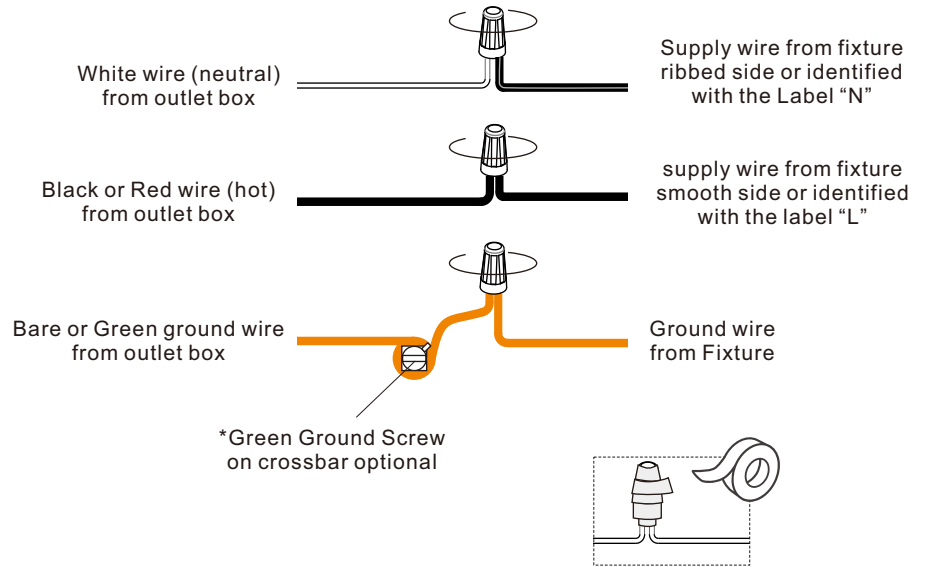
### STEP 4

1

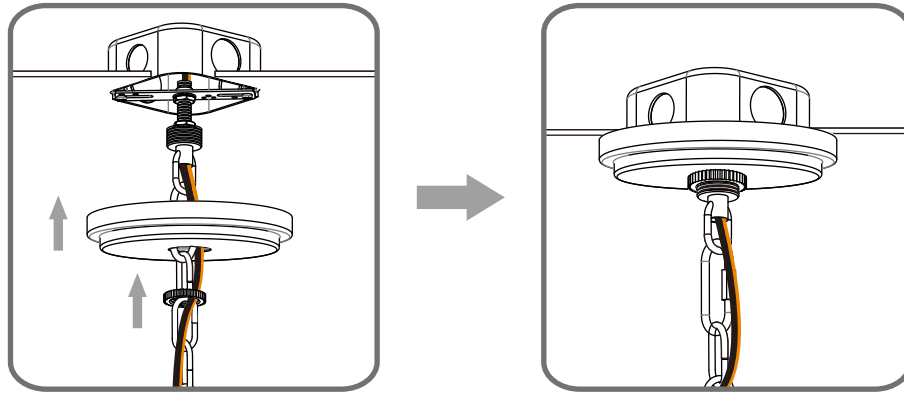
Step 1  
Feed the fixture wires  
through the loop



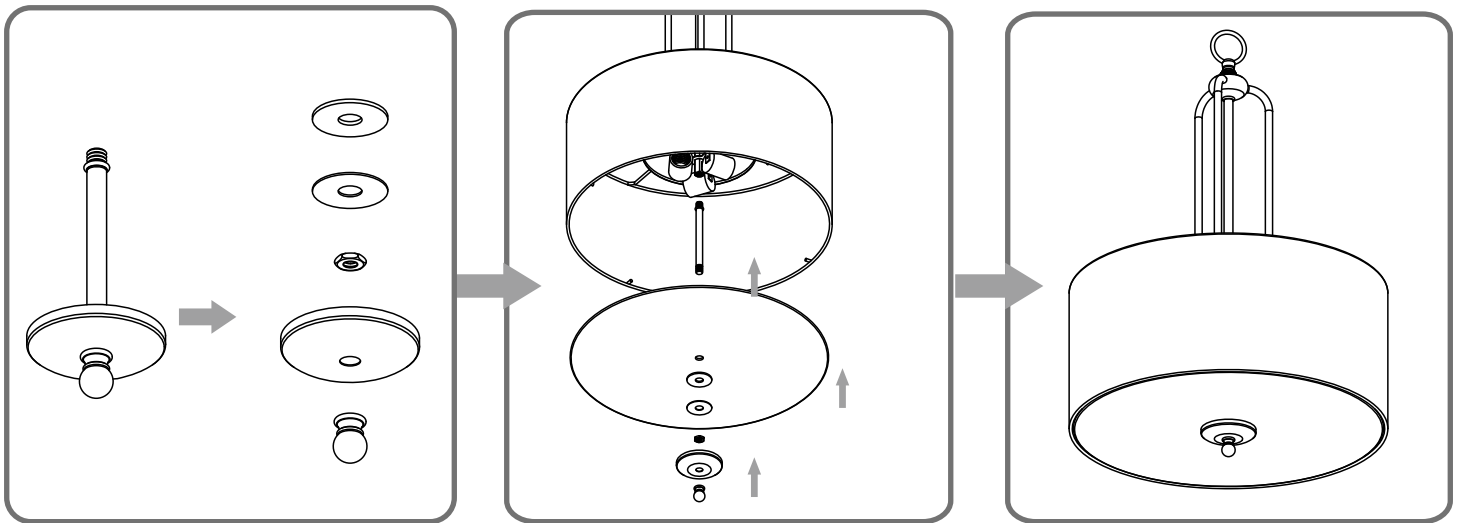
2



**STEP 5**



**STEP 6**



**STEP 7**

