

Please go to www.quoiseel.com for product cleaning tips. Go to the **Care + Maintenance** selection.

Tools Required: Flathead screwdriver, Phillips screwdriver, pliers, wire cutters, wire strippers, electrical tape, safety glasses.

Light Source: (3) A19 Medium Base 100W Maximum.

Estimated Assembly Time: 30-45 minutes

Preparation: Identify and inspect all parts before beginning installation. Check package content list and diagrams below to be sure all parts are present. If any parts are missing or damaged, do not attempt to assemble, install, or operate the fixture. Contact customer service for replacement parts.

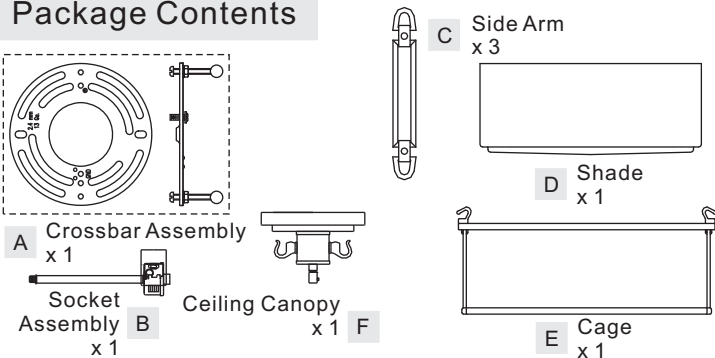
⚠ Warnings and Cautions

Turn off electricity at circuit breaker or main fuse box before installation. Consult a licensed electrician if in doubt.

These instructions are provided for your safety. It is very important you read them completely before installing the fixture. We strongly recommend that a licensed, professional electrician perform the installation.

Disconnect fixture from power source before replacing bulbs. Make sure bulbs are given sufficient time to cool before removal. Do not subject glass parts to any shock while in operation or shattering may result.

Package Contents



STEP 3 - Wire Connections

A. Use standard wire connectors (not included) to make all wire connections. (Connectors are not included with fixture.) Twist connectors until wires are tightly joined together. Wrap each connection with approved electrical tape and carefully stuff all the connected wires into the Outlet Box.

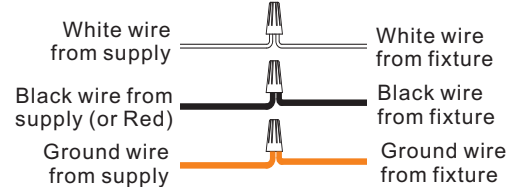


Figure 3

STEP 1 - Install Crossbar Assembly.

A. Pass the supply wires through the Crossbar Assembly (A). Attach the Crossbar Assembly (A) to the Outlet Box with the head of the Green Ground Screw facing you. Secure it with Outlet Box Screws (not included). Tighten until snug.

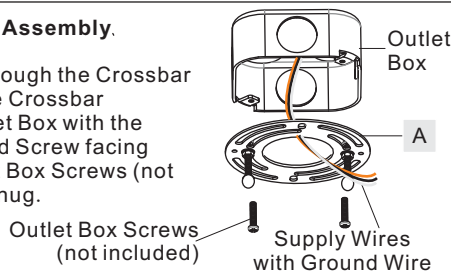


Figure 1

STEP 4 - Install Fixture Body

A. Carefully tuck all wires into the outlet box and position the ceiling canopy of the Socket Assembly (B) over the outlet box. Align the holes in the ceiling canopy of the Socket Assembly (B) with the mounting screws, then attach the ceiling canopy using the previously removed mounting balls. Hand tighten until snug.

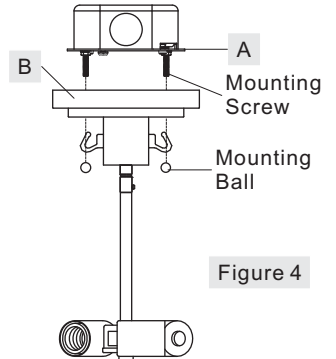


Figure 4

STEP 2 - Fit Ceiling Canopy to Crossbar Assembly

A. Thread the Ceiling Canopy (F) onto the top of the Socket Assembly (B). Hand tighten until snug.

B. Remove mounting balls from the Crossbar Assembly (A). Fit the ceiling canopy of the Socket Assembly (B) to the Crossbar Assembly (A) and secure with mounting balls. Note: The ceiling canopy of the Socket Assembly (B) should be snug against the ceiling and the mounting balls. If Not, adjust the length of the nipple on the Crossbar Assembly (A) by unscrewing the preassembled hex nut and lock washer and then screwing the mounting screws in or out of the crossbar until the correct length is achieved. Once the ceiling canopy of the Socket Assembly (B) is secure, remove the mounting ball and Socket Assembly (B) and proceed to Step 3.

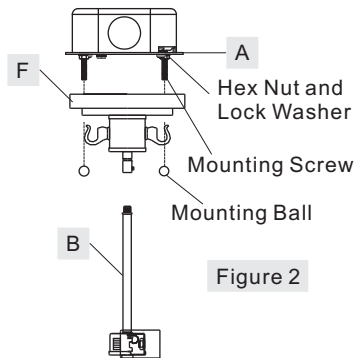


Figure 2

STEP 5 - Assemble Shade, Cage and Bulbs

A. Place the Shade (D) inside of the Cage (E).
B. Attach one ends of Side Arms (C) to Hooks on the side of the Socket Assembly (B). Lift the Cage with Shade upward and attach another ends of Side Arms (C) to Hooks on the top edge of the Cage (E). Carefully release your hands after all Side Arms (C) are hung properly.
C. This fixture uses standard bulb with standard screw base. Maximum 100 watts. Insert bulb and screw snugly into place.

Your fixture is now assembled and ready to use. Enjoy!

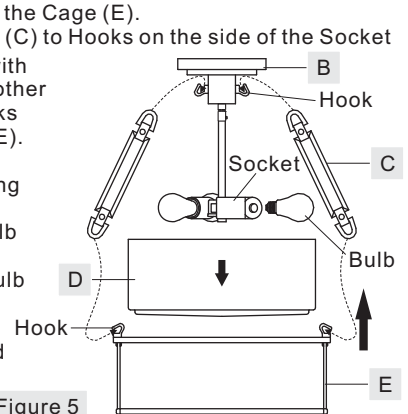


Figure 5

Thank you for purchasing a Quoizel product.
Need assistance with parts or assembly? Call Quoizel customer service at 1-631-273-2700
or visit us on-line at www.quoiseel.com