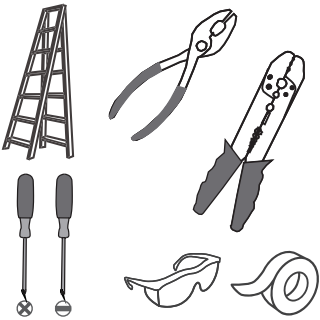
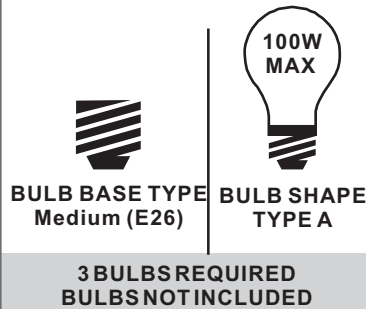


**Tools Required**



**Light Source**



**Warnings and Cautions**

Turn off the electricity at the circuit breaker before installation. Consult a licensed electrician if in doubt about installation.

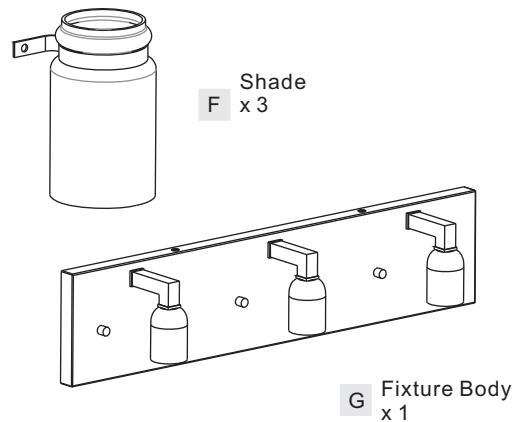
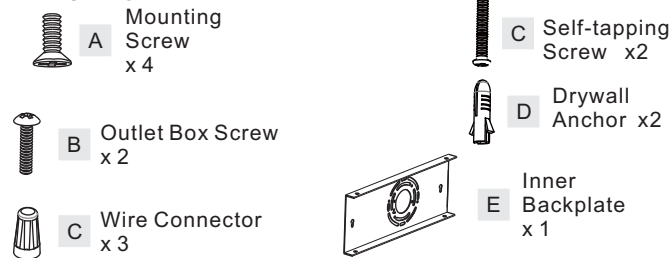
Turn off power to the fixture and allow the bulbs to cool before replacing.

**Package Contents**

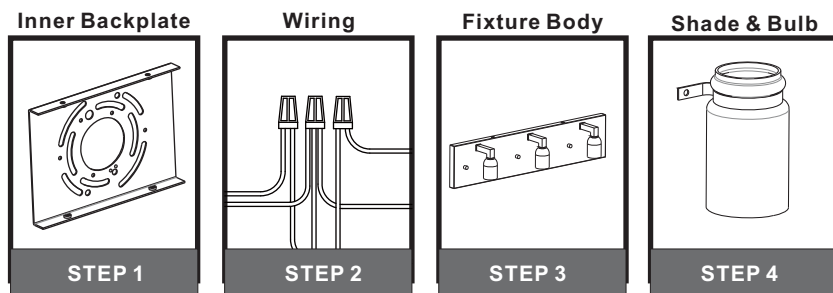
**Preparation:** Identify and inspect all parts before beginning the installation.

Missing or damaged parts? Contact your original place of purchase.

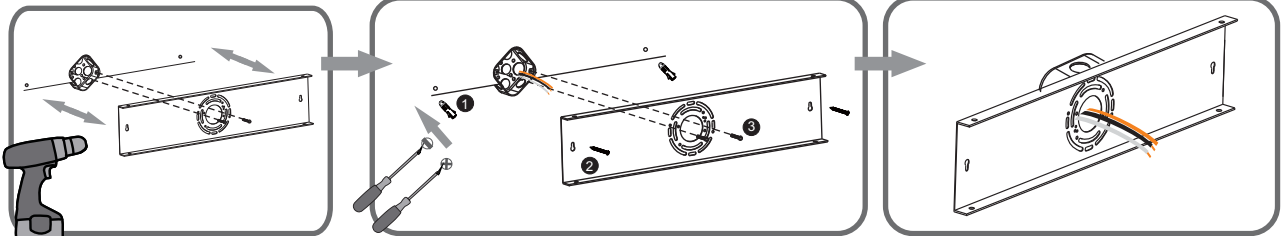
**PARTS BAG**



**Table of Contents**



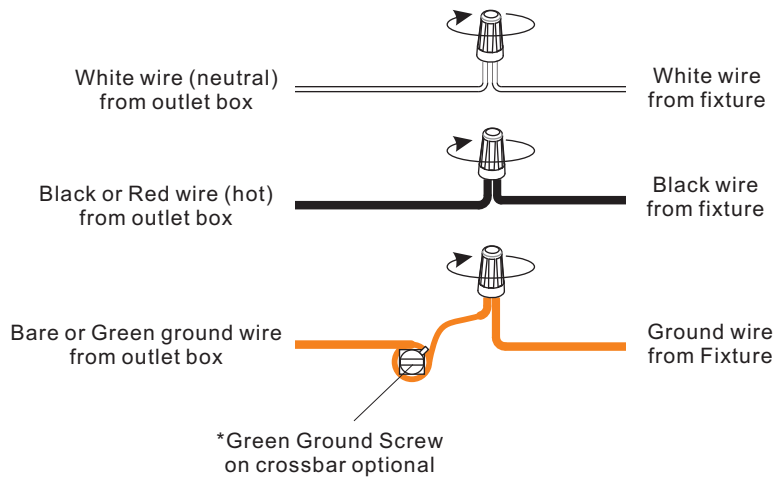
**STEP 1**



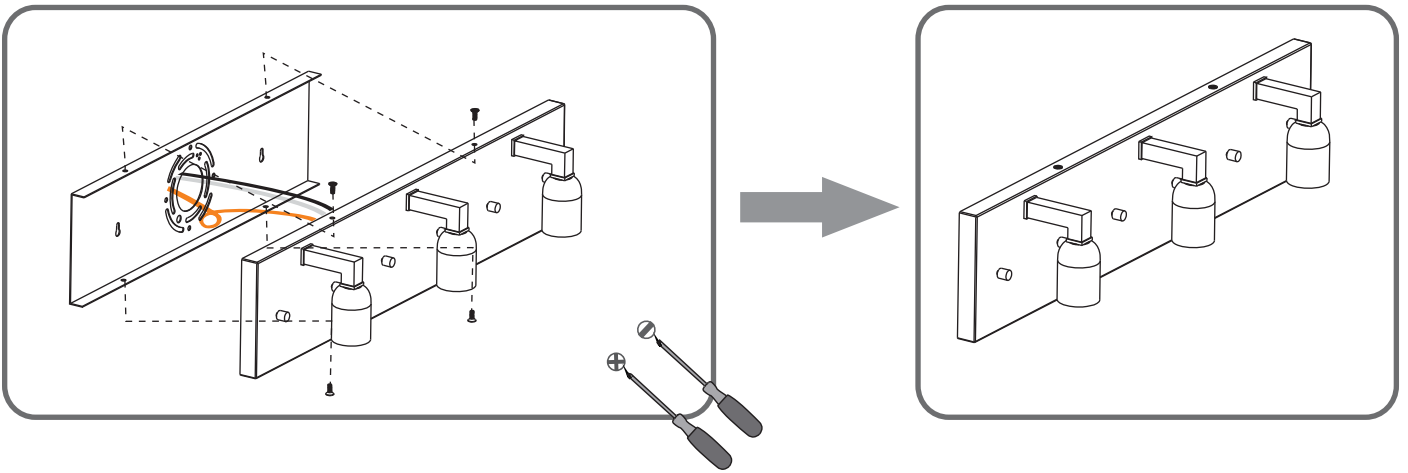
Using a pencil (not included), mark the locations on the wall that correspond with the holes on inner backplate. Using a 5/16-inch drill bit (not included), drill pilot holes at marked locations.

For drywall installations, insert wall anchors into the holes. Otherwise, secure crossbar assembly using self-tapping screws. Then, fully tighten the outlet box screws.  
**CAUTION:** Do not overtighten the screws as damage to the bracket could occur.

## STEP 2



## STEP 3



## STEP 4

