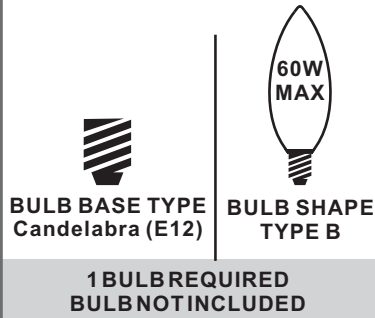


Tools Required



Light Source



Warnings and Cautions

Turn off the electricity at the circuit breaker before installation. Consult a licensed electrician if in doubt about installation.

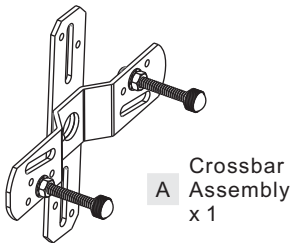
Turn off power to the fixture and allow the bulbs to cool before replacing.

Package Contents

Preparation: Identify and inspect all parts before beginning the installation.

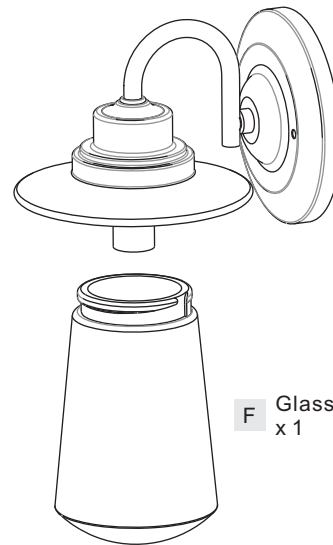
Missing or damaged parts? Contact your original place of purchase.

PARTS BAG



A Crossbar Assembly x 1

- B** Alternate Mounting Screw x 2
- C** Outlet Box Screw x 2
- D** Wire Connector x 3



E Fixture Body x 1

F Glass Shade x 1

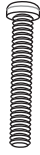
Table of Contents

Alternate Mounting Screw	Crossbar Assembly	Wiring	Fixture Body	Bulb & Glass Shade	Caulk
STEP 1	STEP 2	STEP 3	STEP 4	STEP 5	STEP 6

STEP 1

OPTION 1

Standard Mounting Screw



Included (Pre-assembled)

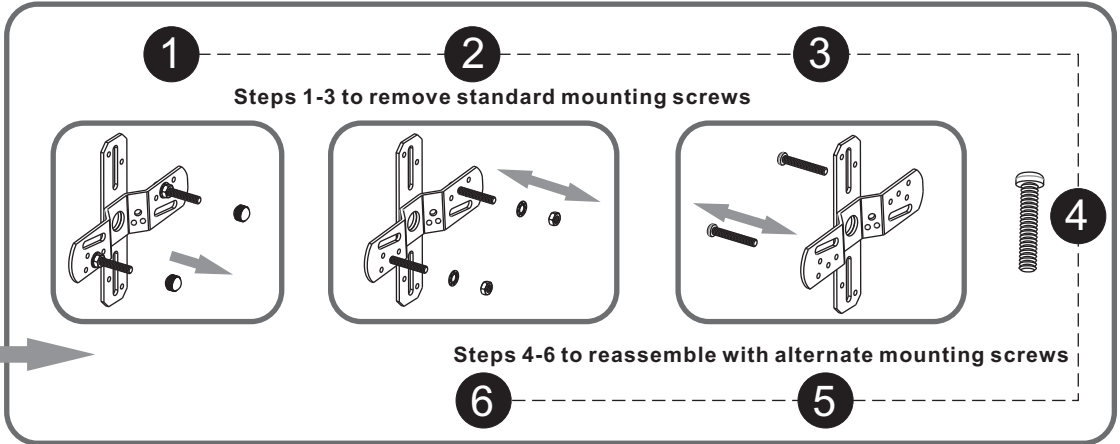
OPTION 2

Alternate Mounting Screw

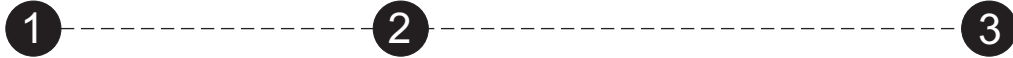


Included

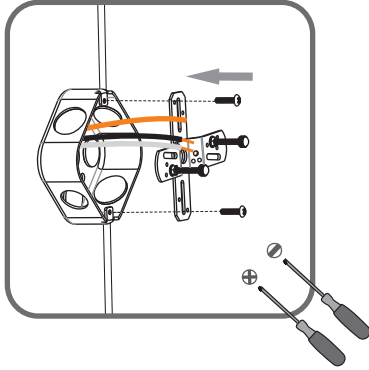
skip to next page



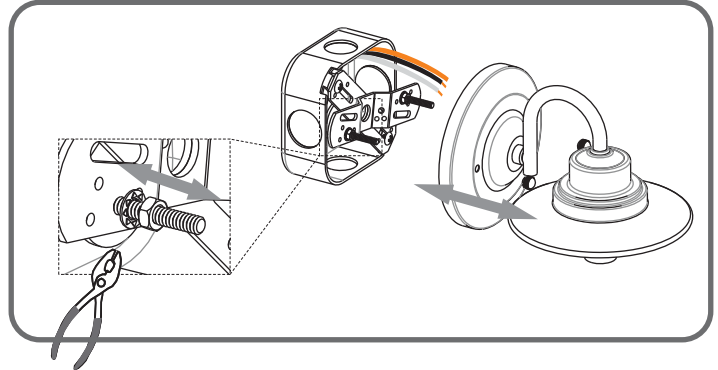
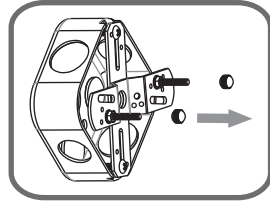
STEP 2



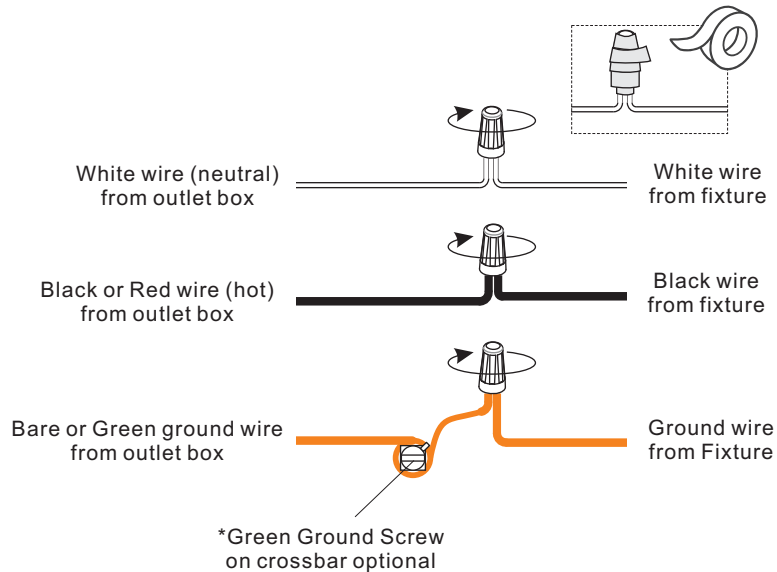
Step 1
Install crossbar assembly



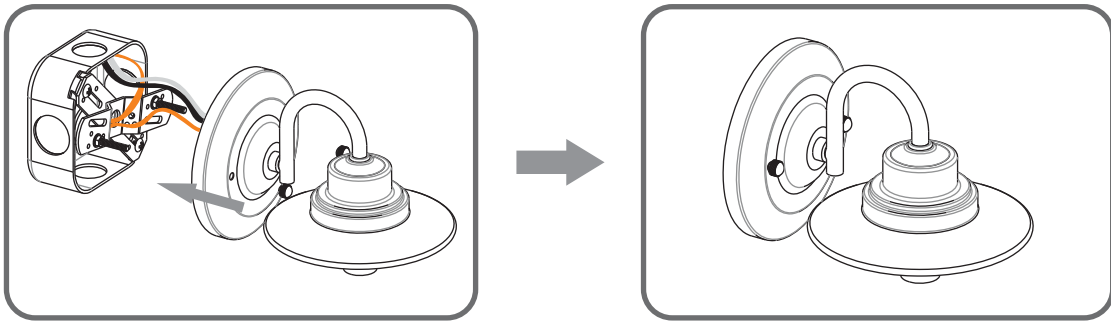
Step 2 - 3
Test fitting backplate to mounting screws



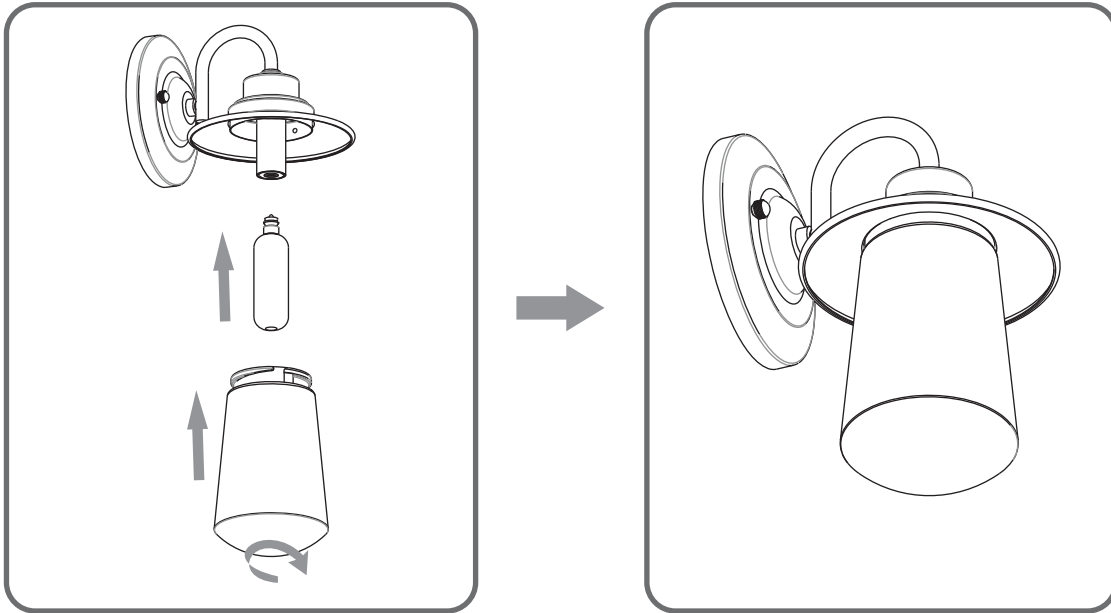
STEP 3



STEP 4



STEP 5



STEP 6

