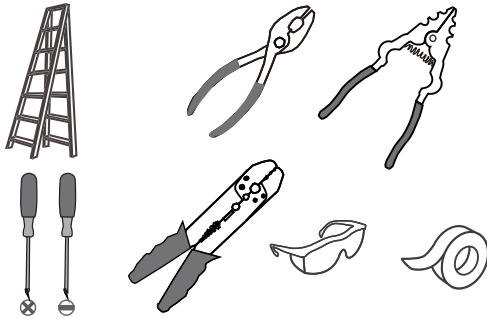
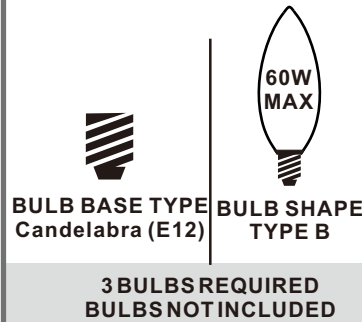


Tools Required



Light Source



**Fixture Height Adjustable
23.5" to 72"**

⚠ Warnings and Cautions

Turn off the electricity at the circuit breaker before installation. Consult a licensed electrician if in doubt about installation.

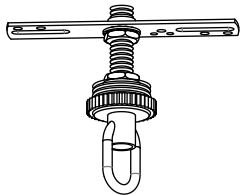
Turn off power to the fixture and allow the bulbs to cool before replacing.

Package Contents

Preparation: Identify and inspect all parts before beginning the installation.

Missing or damaged parts? Contact your original place of purchase.

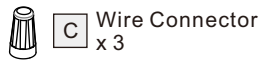
PARTS BAG



A Crossbar Assembly x 1



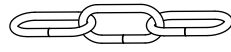
B Outlet Box Screw x 2



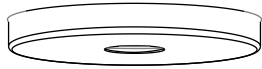
C Wire Connector x 3



D Quick Link x 2



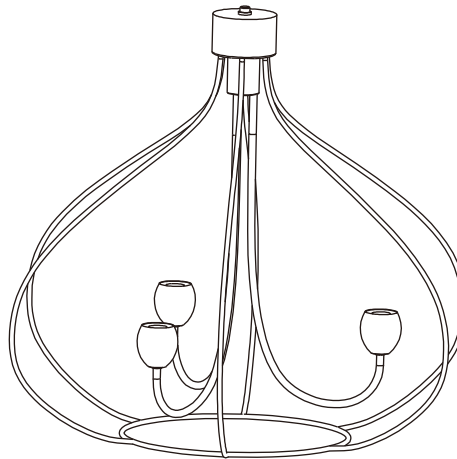
E Fixture Chain x 1



F Ceiling Canopy x 1



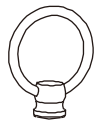
G Fixture Loop x 1



H Fixture Body x 1

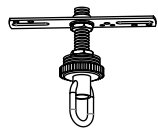
Table of Contents

Fixture Loop



STEP 1

Crossbar Assembly



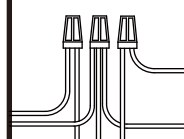
STEP 2

Fixture Chain



STEP 3

Wiring



STEP 4

Ceiling Canopy



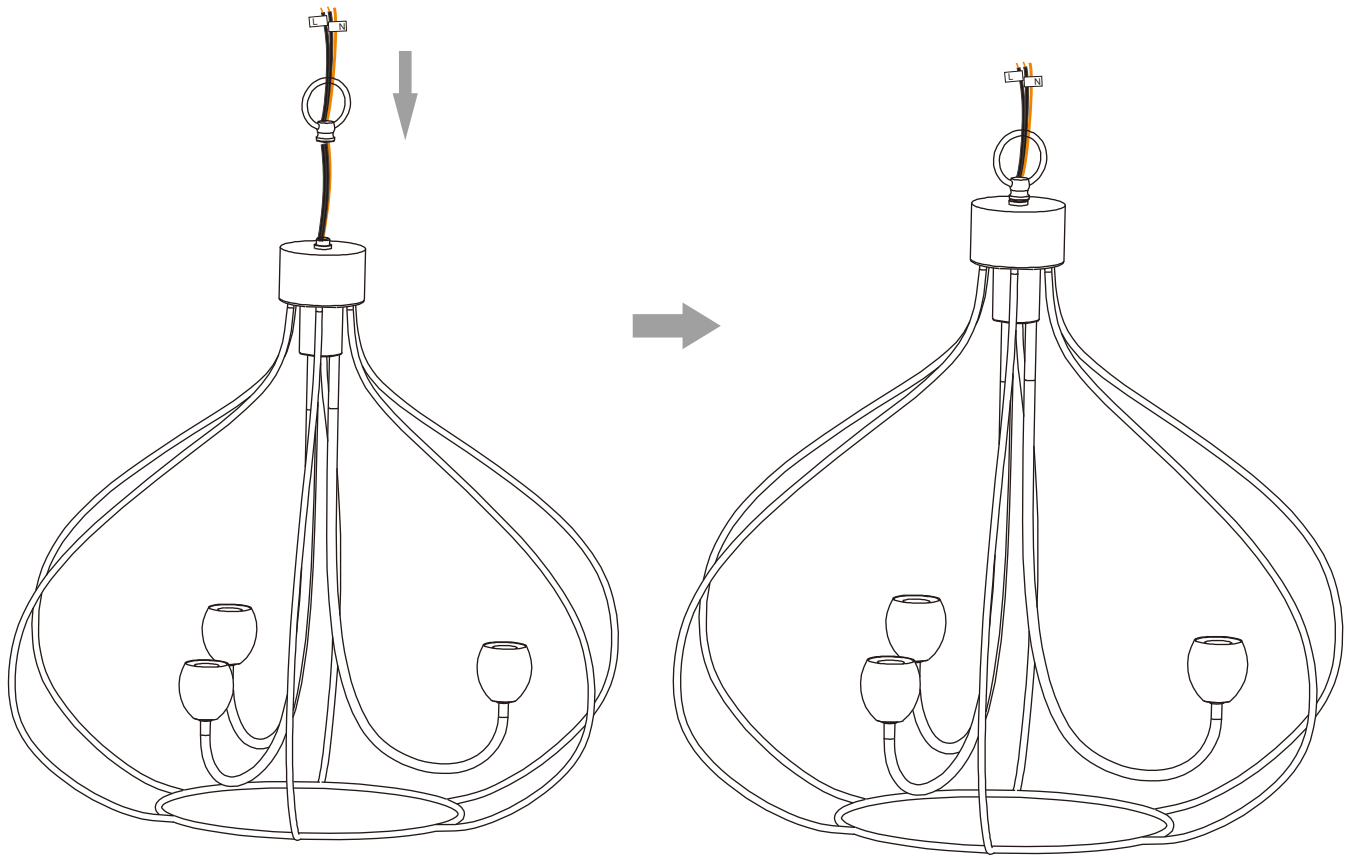
STEP 5

Bulb



STEP 6

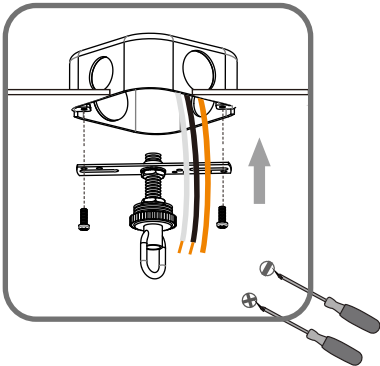
STEP 1



STEP 2

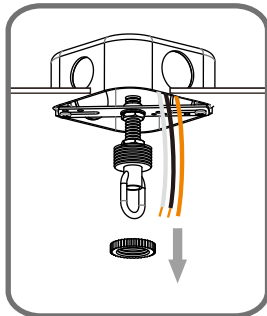
1

Step 1
Install crossbar assembly

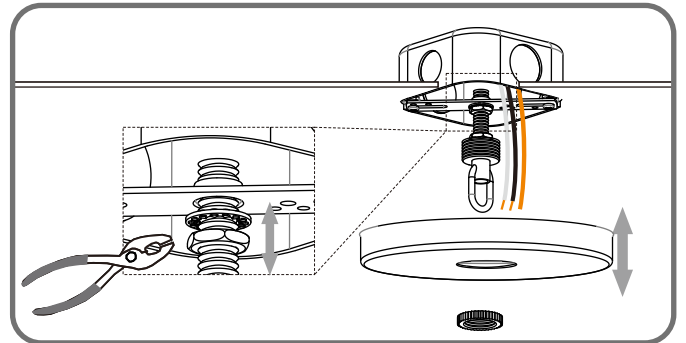


2

Step 2 - 3
Test fitting ceiling canopy to nipple



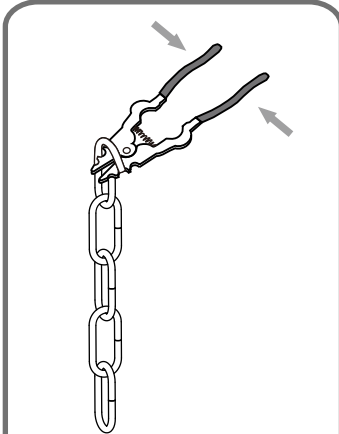
3



STEP 3

1

Step 1
Adjust fixture chain length

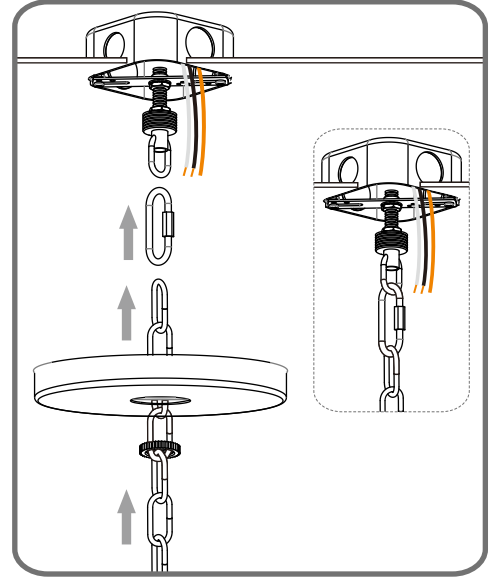
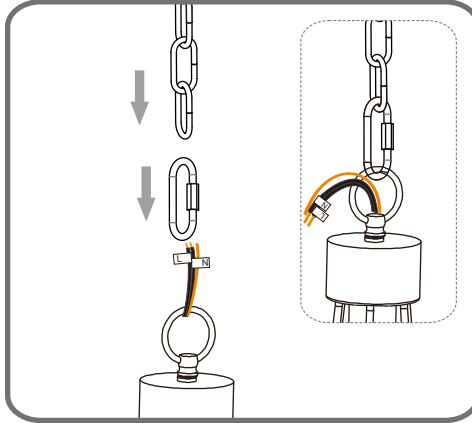


Suggested Chain Length:

- 8' ceiling: 13" Chain
- 9' ceiling: 25" Chain
- 10' ceiling: 37" Chain

2

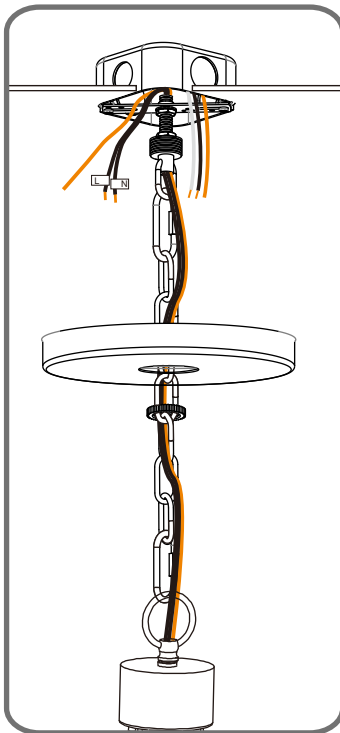
Step 2 - 3
Install Fixture Chain



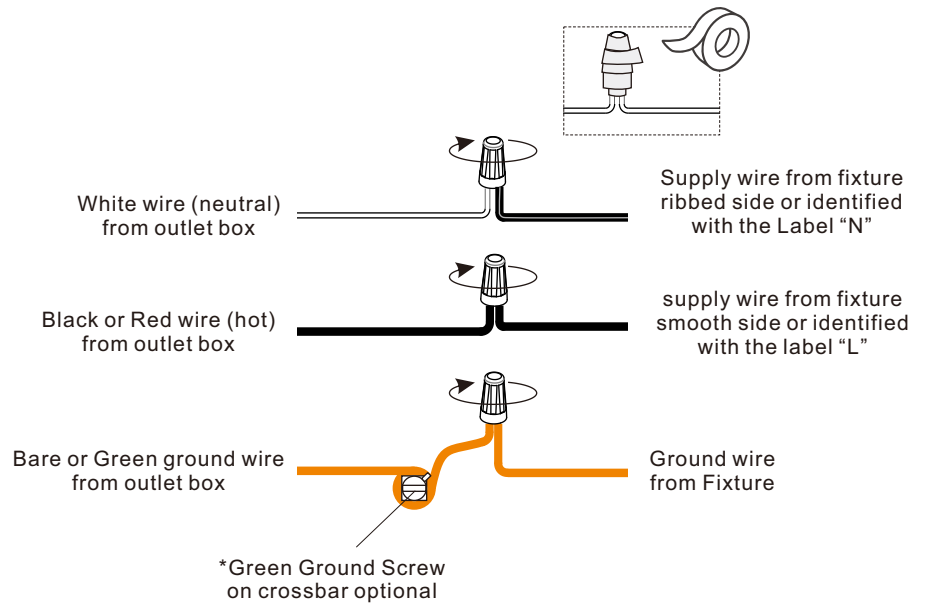
STEP 4

1

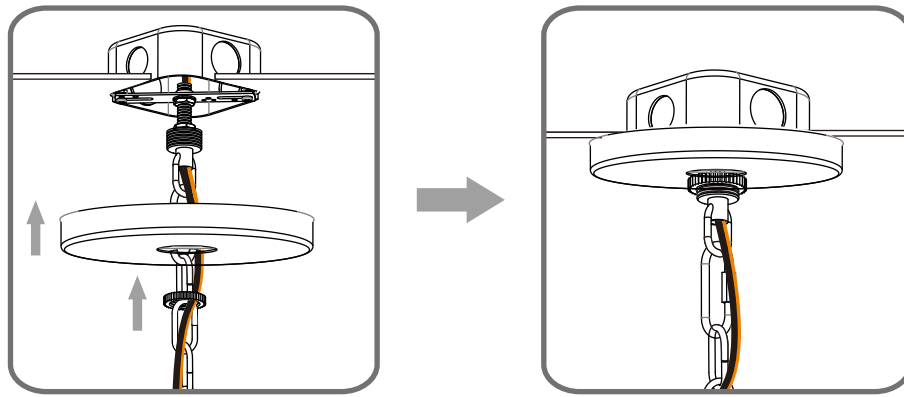
Step 1
Feed the fixture wires
through the loop



2



STEP 5



STEP 6

