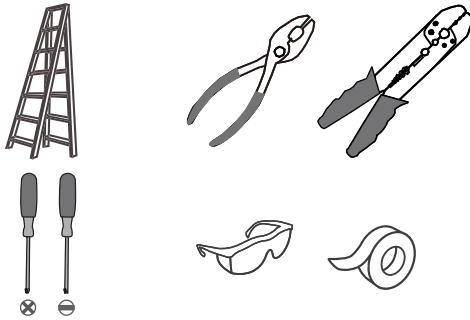
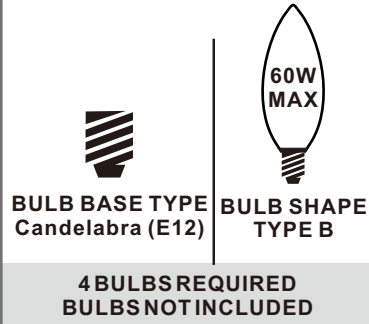


Tools Required



Light Source



Fixture Height Adjustable
32.5" to 68.5"

⚠ Warnings and Cautions

Turn off the electricity at the circuit breaker before installation. Consult a licensed electrician if in doubt about installation.

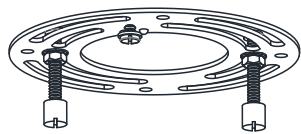
Turn off power to the fixture and allow the bulbs to cool before replacing.

Package Contents

Preparation: Identify and inspect all parts before beginning the installation.

Missing or damaged parts? Contact your original place of purchase.

PARTS BAG



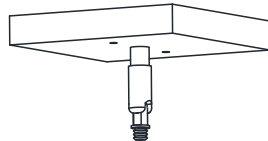
A Crossbar Assembly x 1



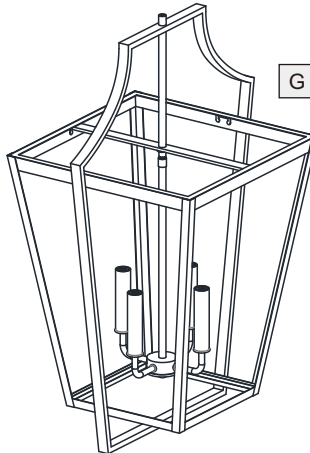
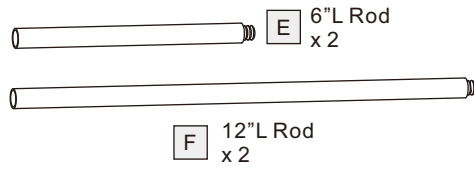
B Outlet Box Screw x 2



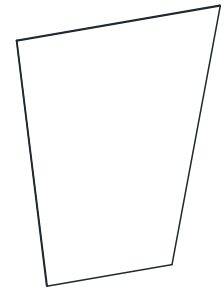
C Wire Connector x 3



D Ceiling Canopy x 1



G Fixture Body x 1



H Glass Shade x 4

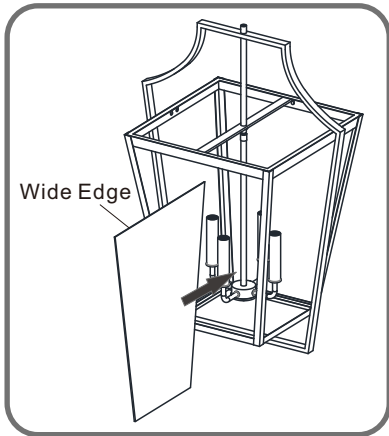
Table of Contents

Glass Panel	Crossbar Assembly	Ceiling Canopy & Rods	Wiring	Ceiling Canopy to ceiling	Bulbs
STEP 1	STEP 2	STEP 3	STEP 4	STEP 5	STEP 6

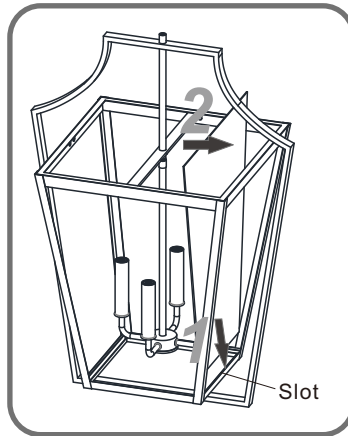
STEP 1



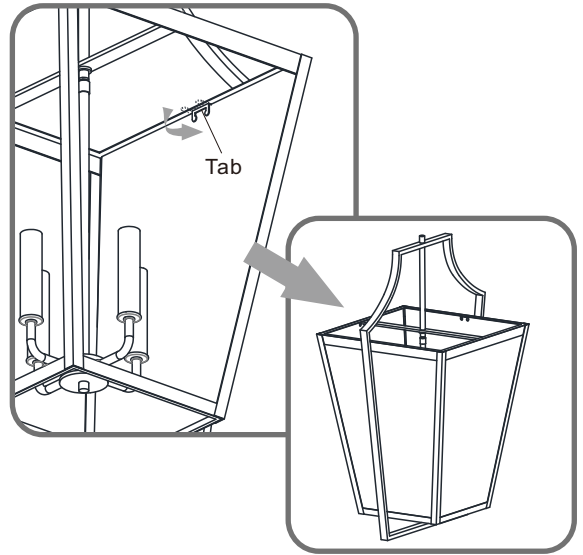
1
Insert glass panel into cage
with wider edge is on the top



2
Insert the bottom of the glass panel
into the slot on the bottom and
attach the glass panel to the cage



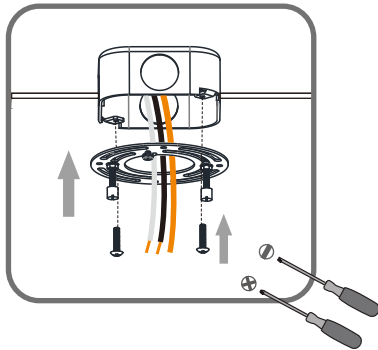
3
Fold the tab in the top
of the cage to secure
the glass panel



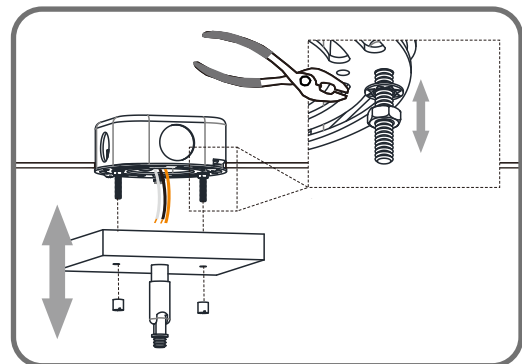
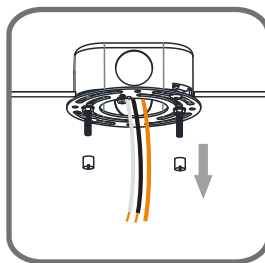
STEP 2



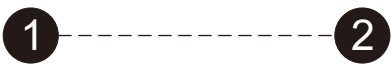
1
Step 1
Install crossbar assembly



2
Step 2 - 3
Test fitting ceiling canopy to mounting screws



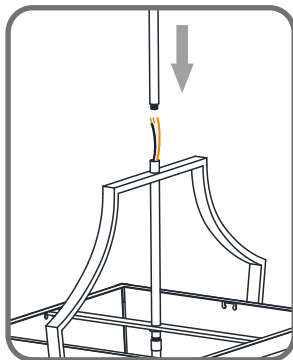
STEP 3



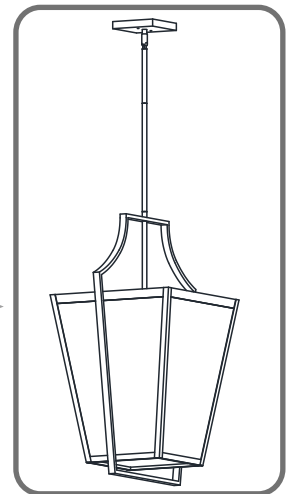
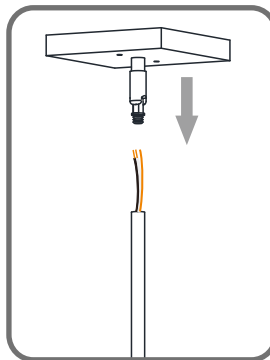
Optional Rods

- 8' ceiling:
(1) 6"L
- 9' ceiling:
(1) 6"L + (1) 12"L rods
- 10' ceiling:
(1) 6"L + (2) 12"L rods

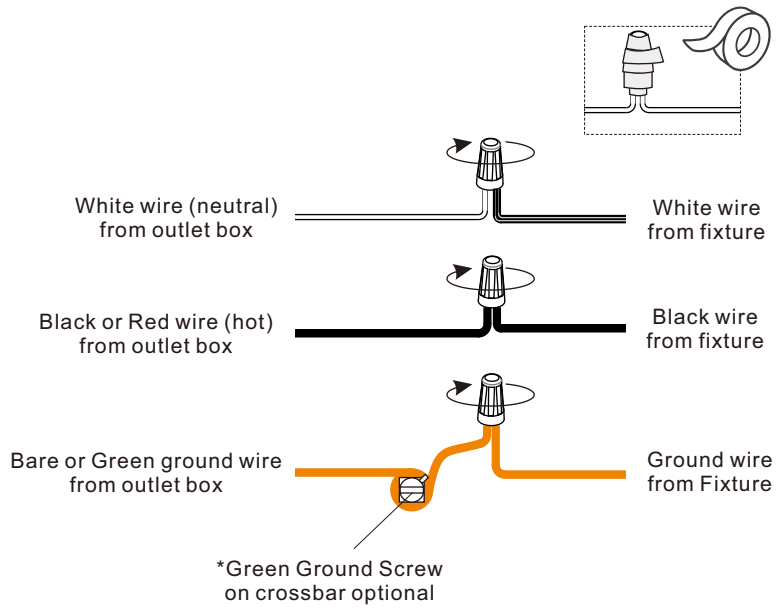
1
Insert rod to fixture body



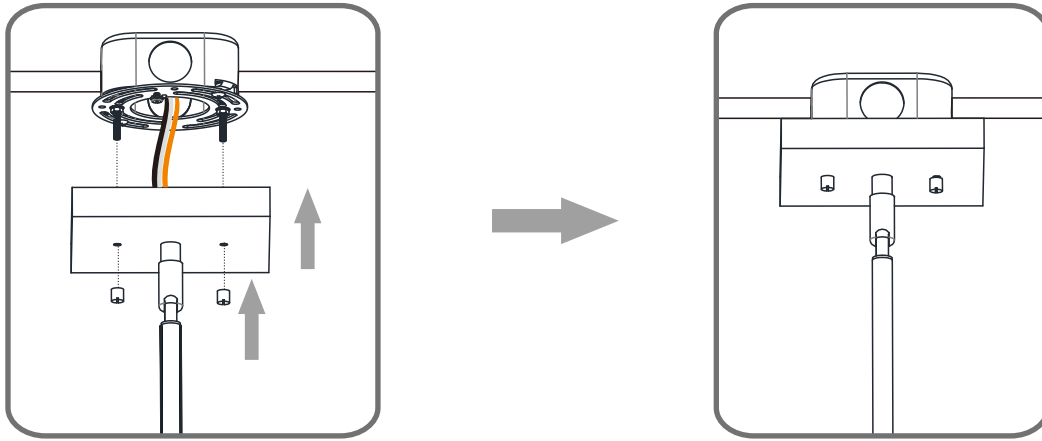
2
Insert ceiling canopy
to upper rod



STEP 4



STEP 5



STEP 6

